

4

3

2

1

D

D

Chicken Coop
Version 2
Chris [REDACTED] Logston

C

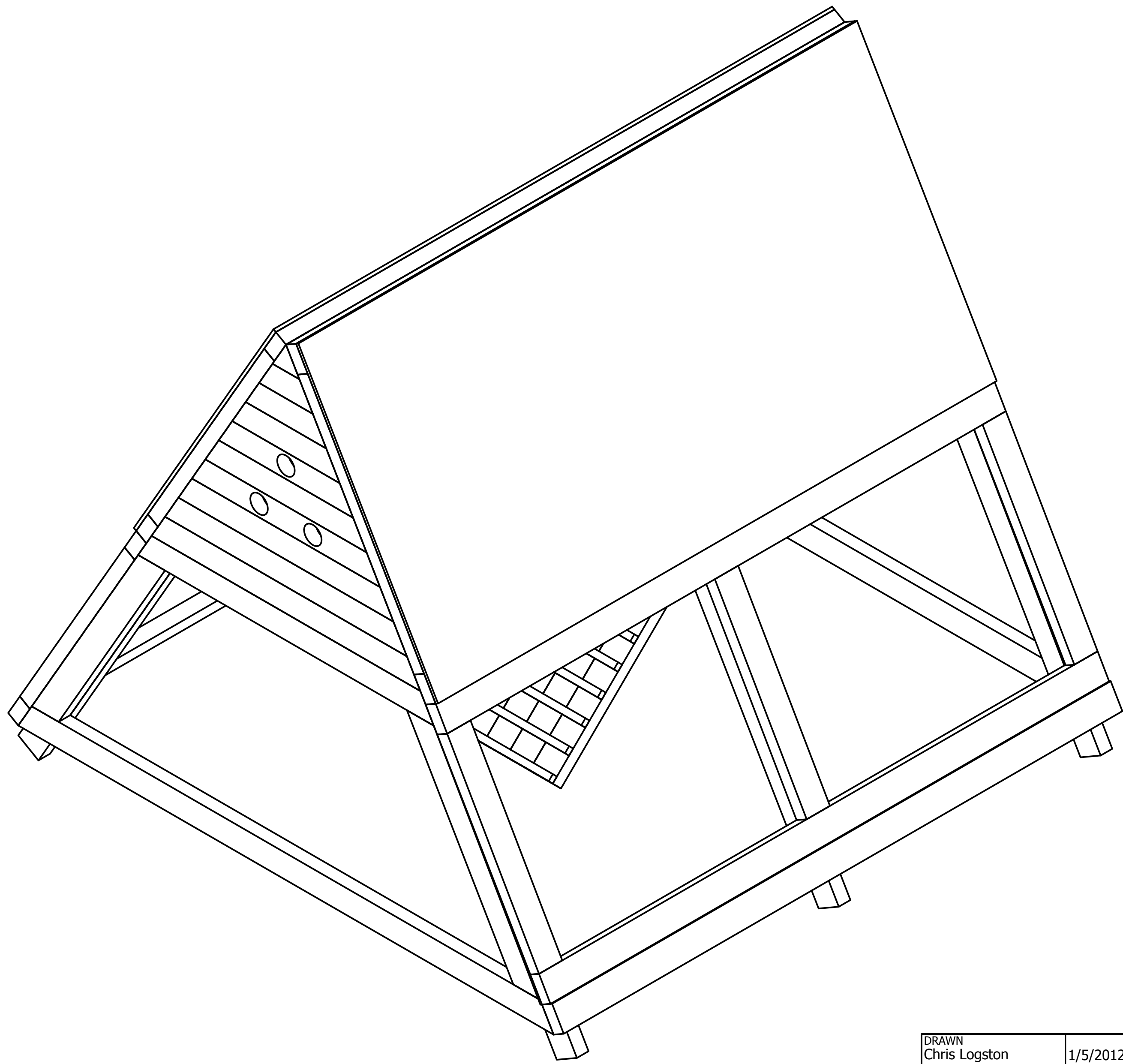
C

B

B

A

A



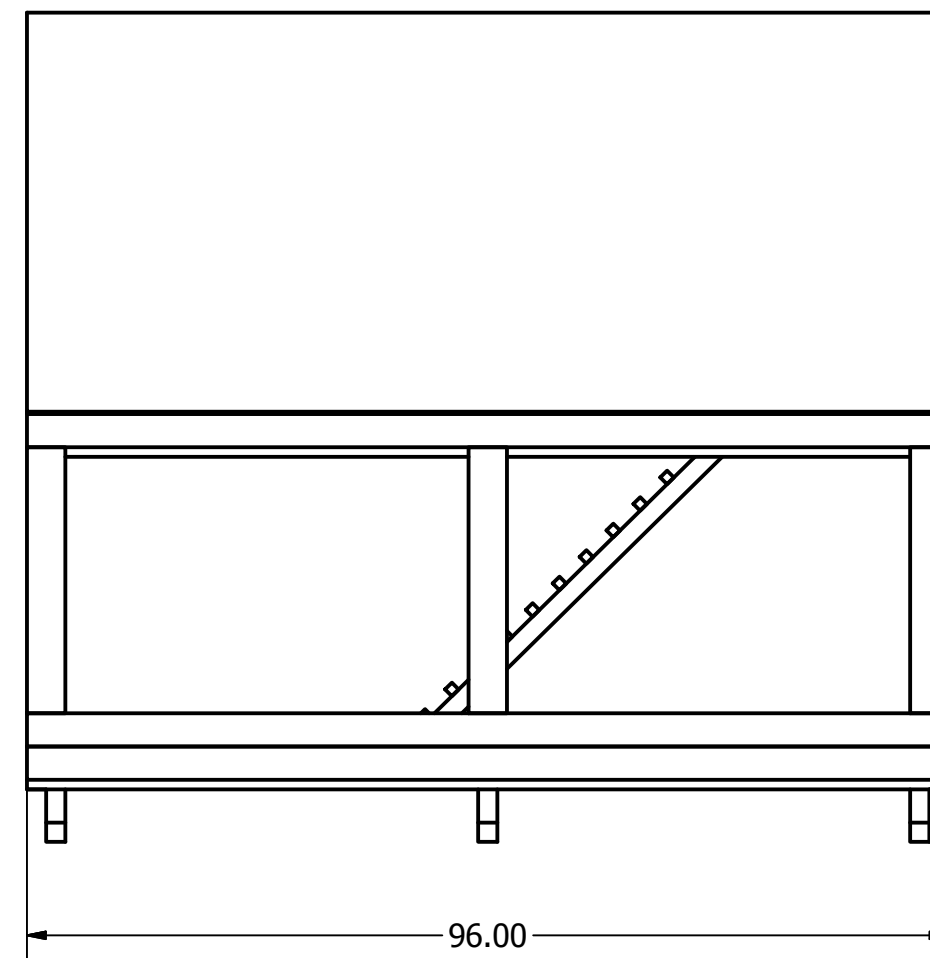
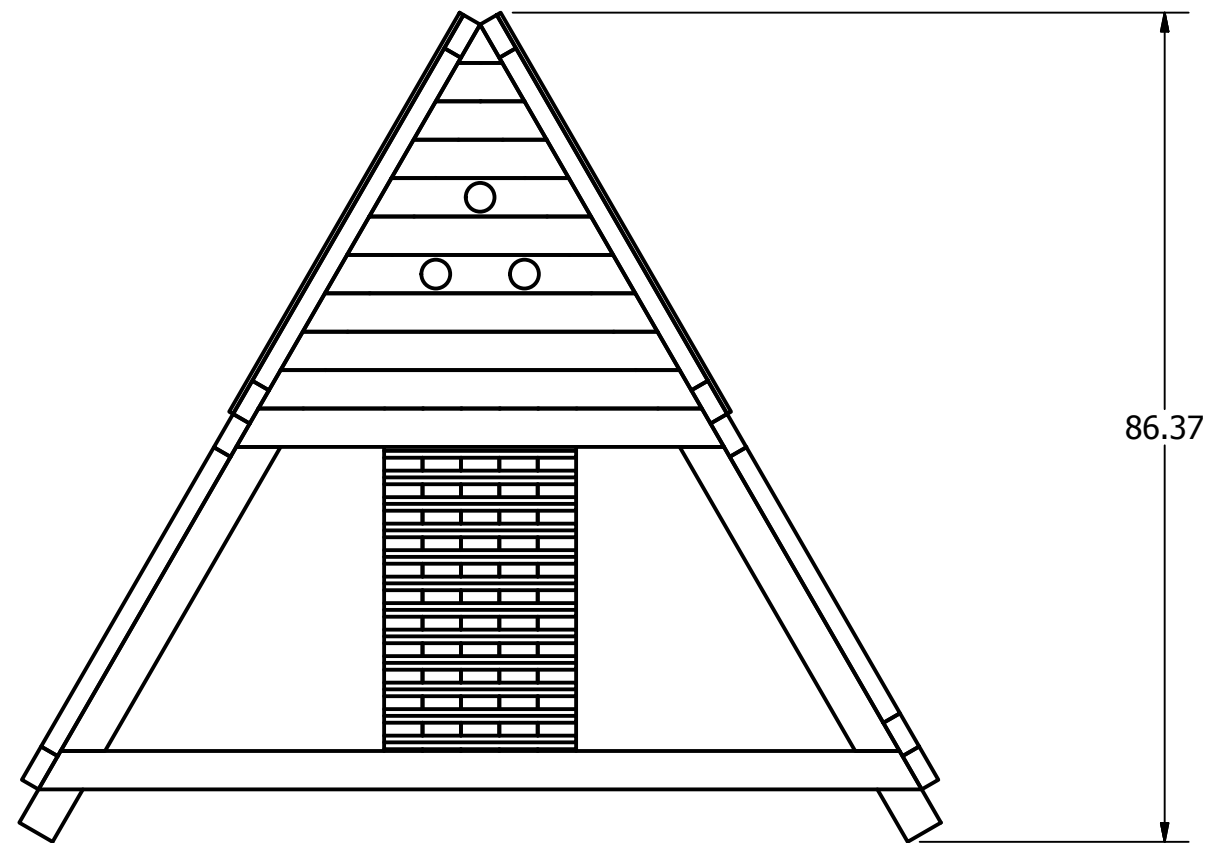
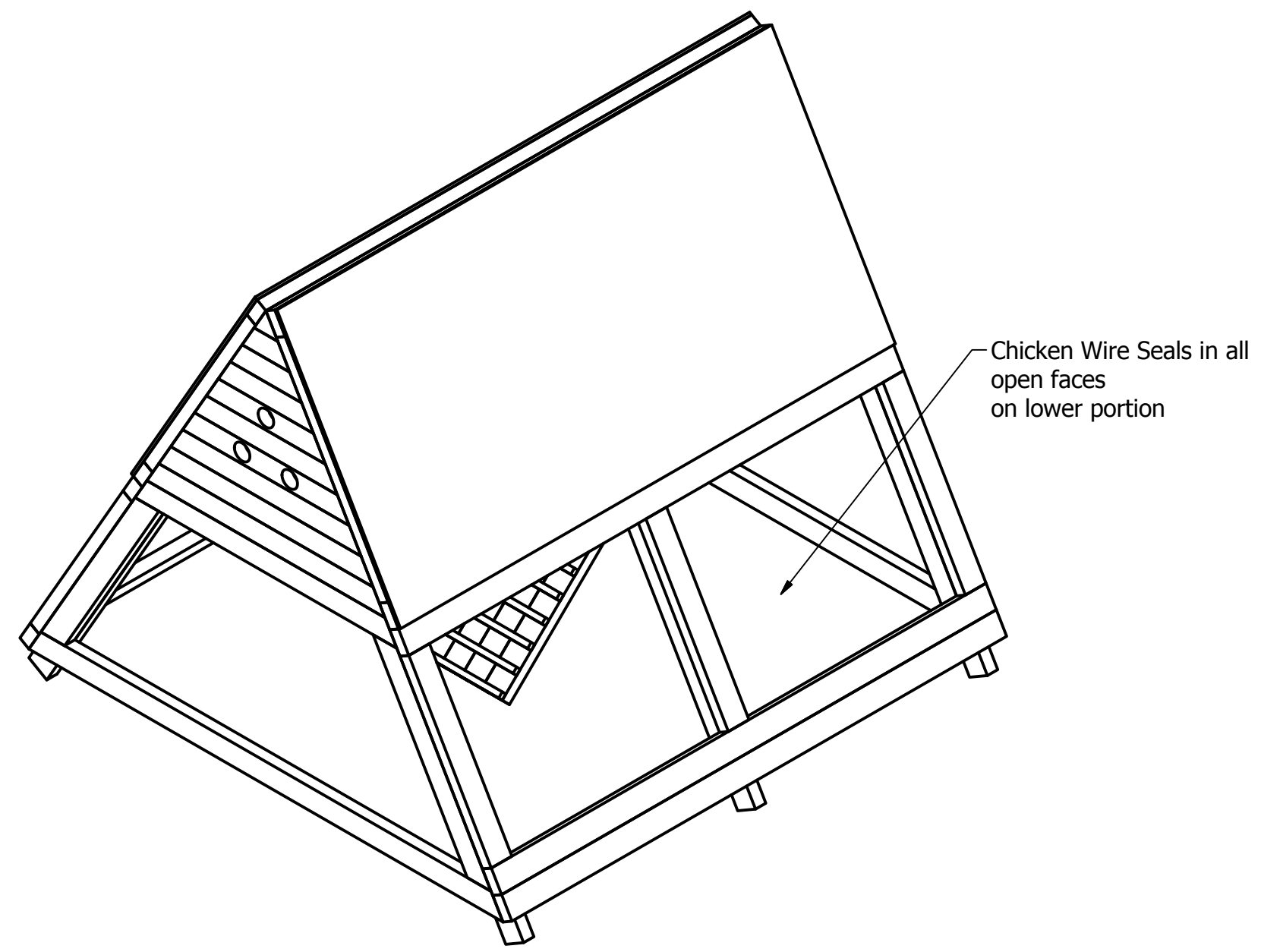
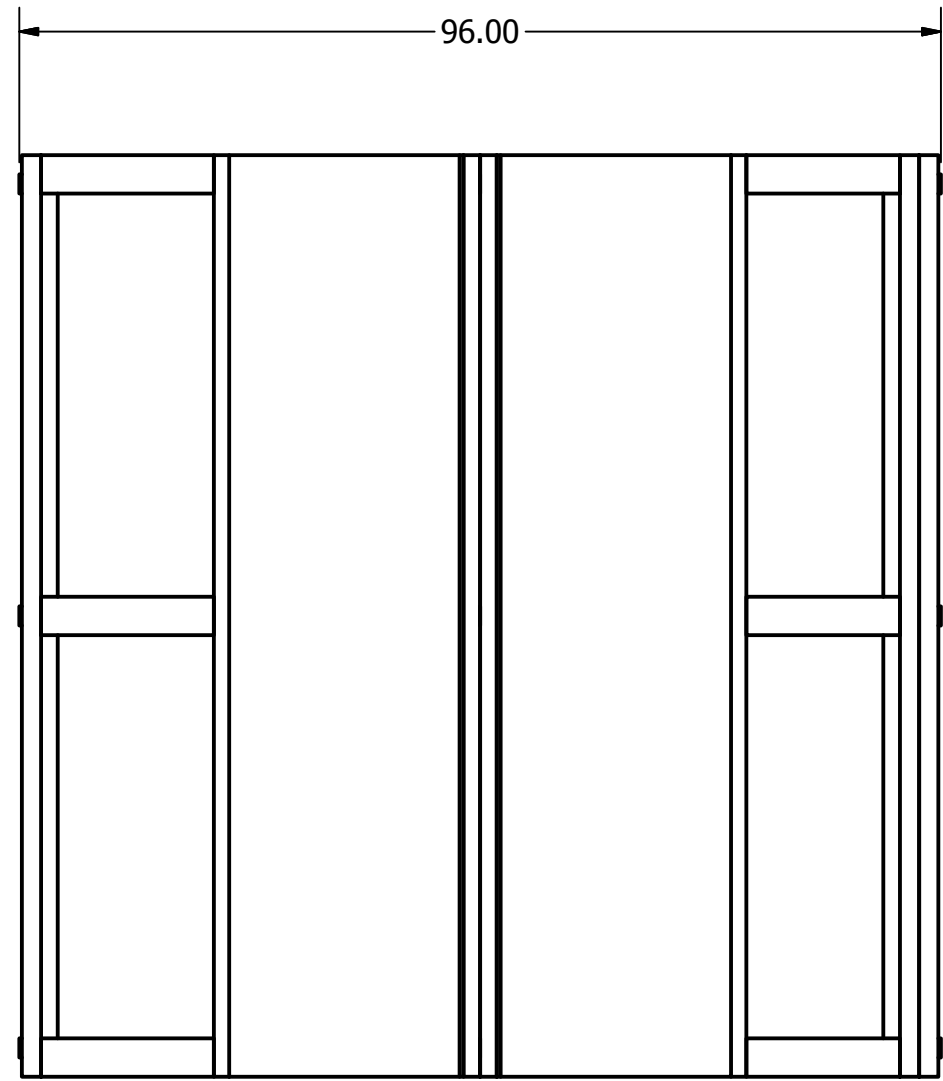
DRAWN Chris Logston	1/5/2012			
CHECKED		TITLE		
QA		Chicken Coop - V2		
MFG		SIZE	DWG NO	REV
APPROVED		C	Instructions 6	
		SCALE	SHEET 1 OF 22	

4

3

2

1



DRAWN Chris Logston	1/5/2012	TITLE		
CHECKED		Chicken Coop - V2		
QA		SIZE	DWG NO	REV
MFG		C	Instructions 6	
APPROVED		SCALE	SHEET 2 OF 22	

PRODUCED BY AN AUTODESK EDUCATIONAL PRODUCT

PRODUCED BY AN AUTODESK EDUCATIONAL PRODUCT

4

3

2

1

D

D

C

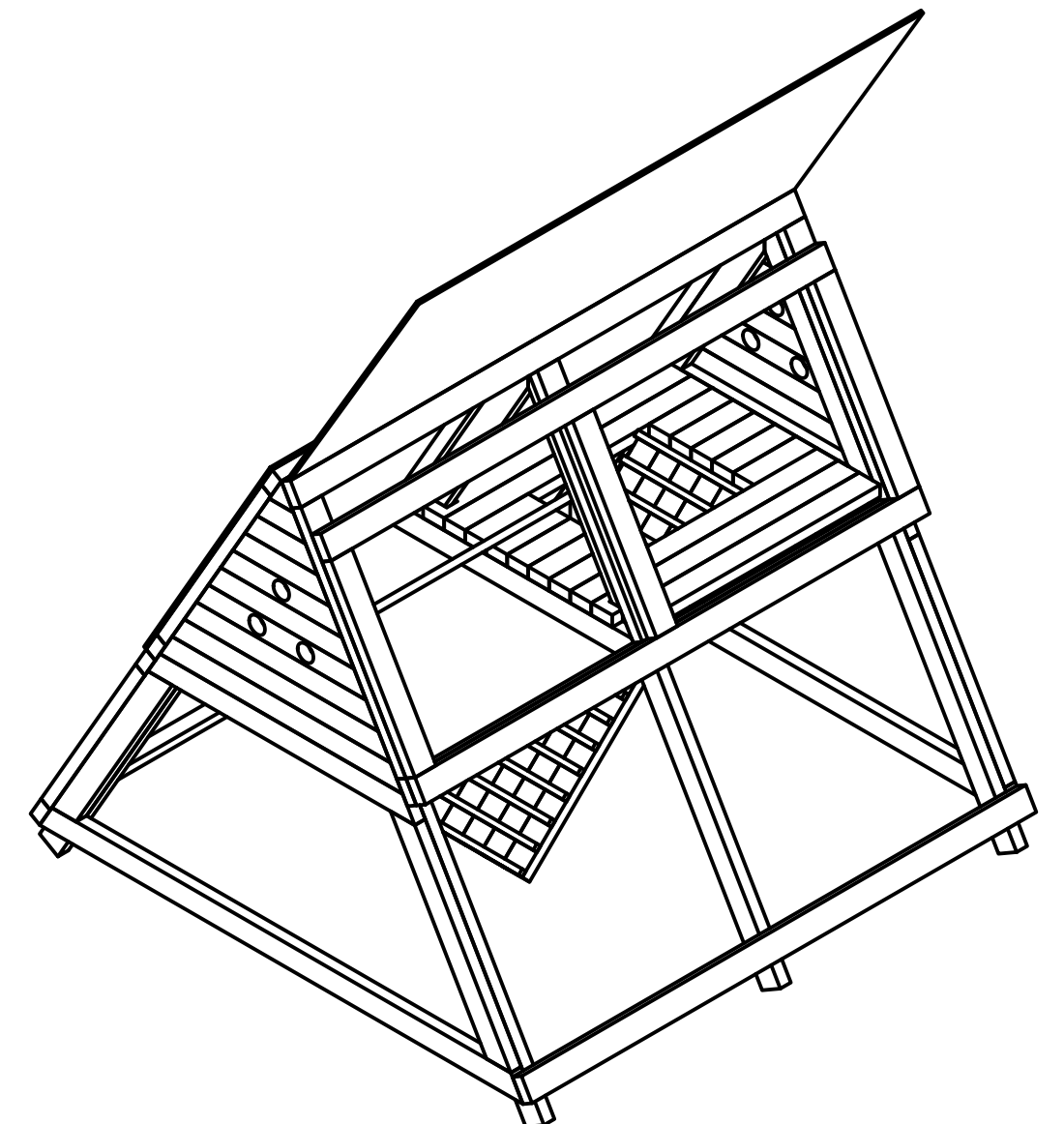
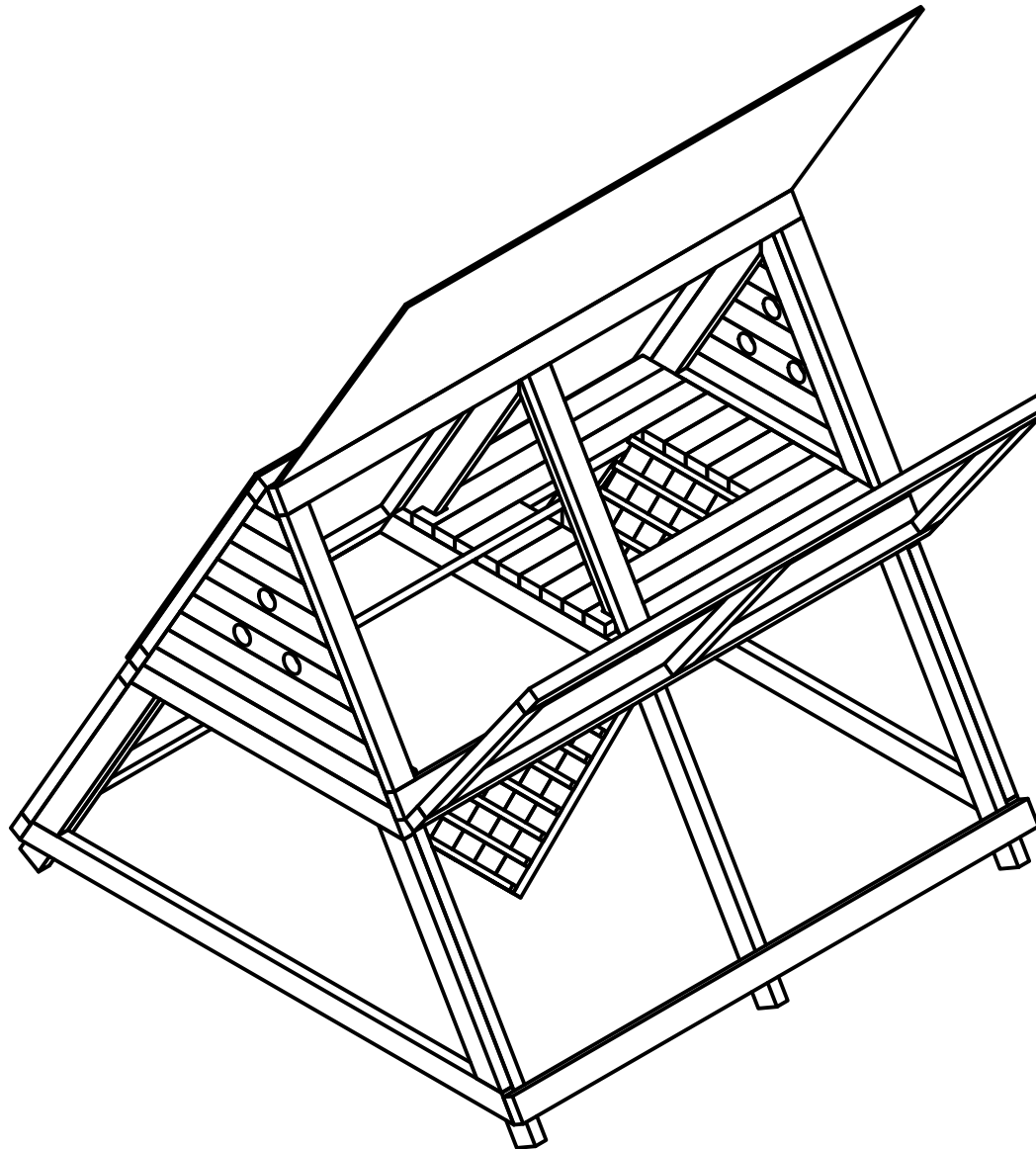
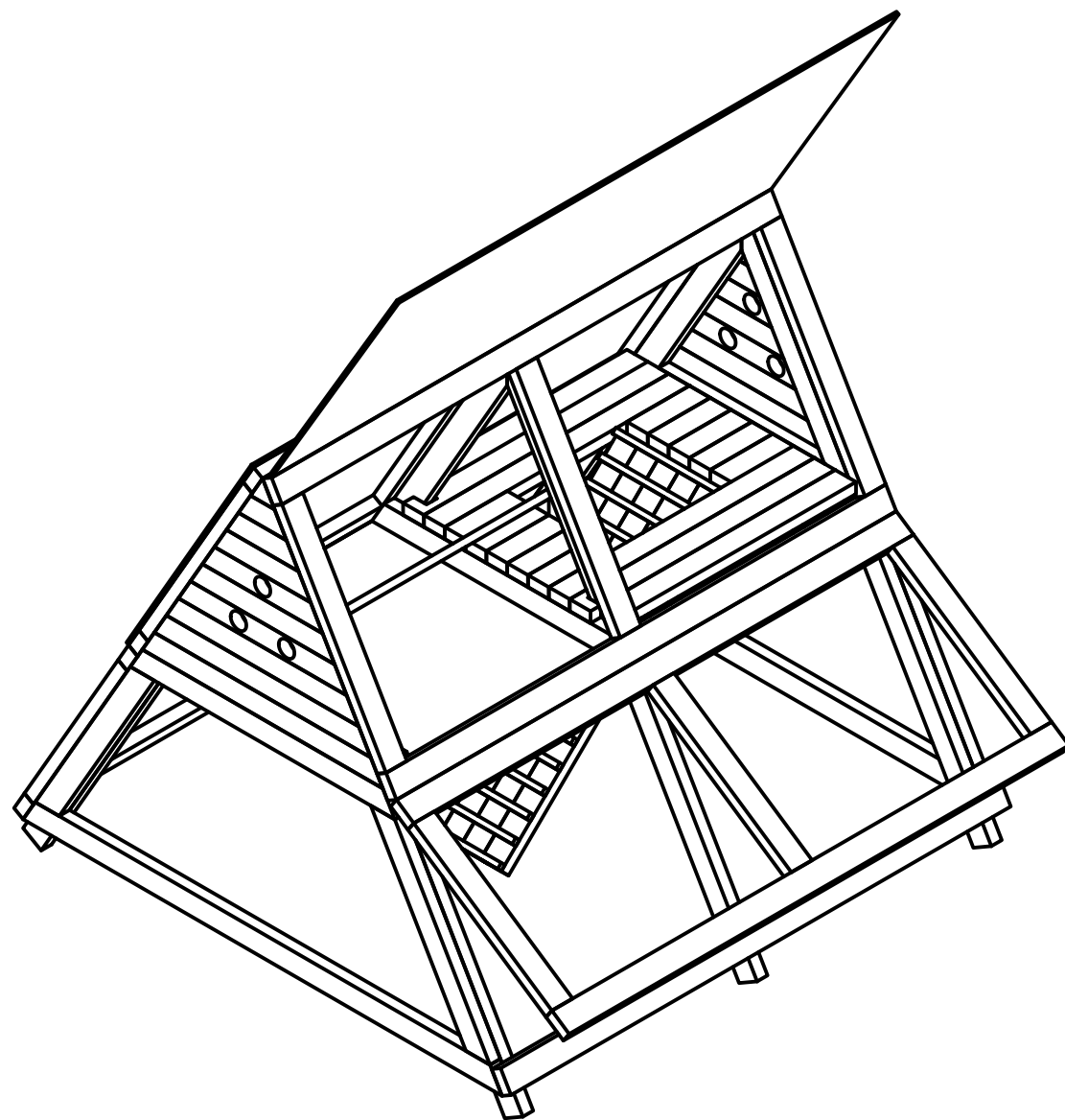
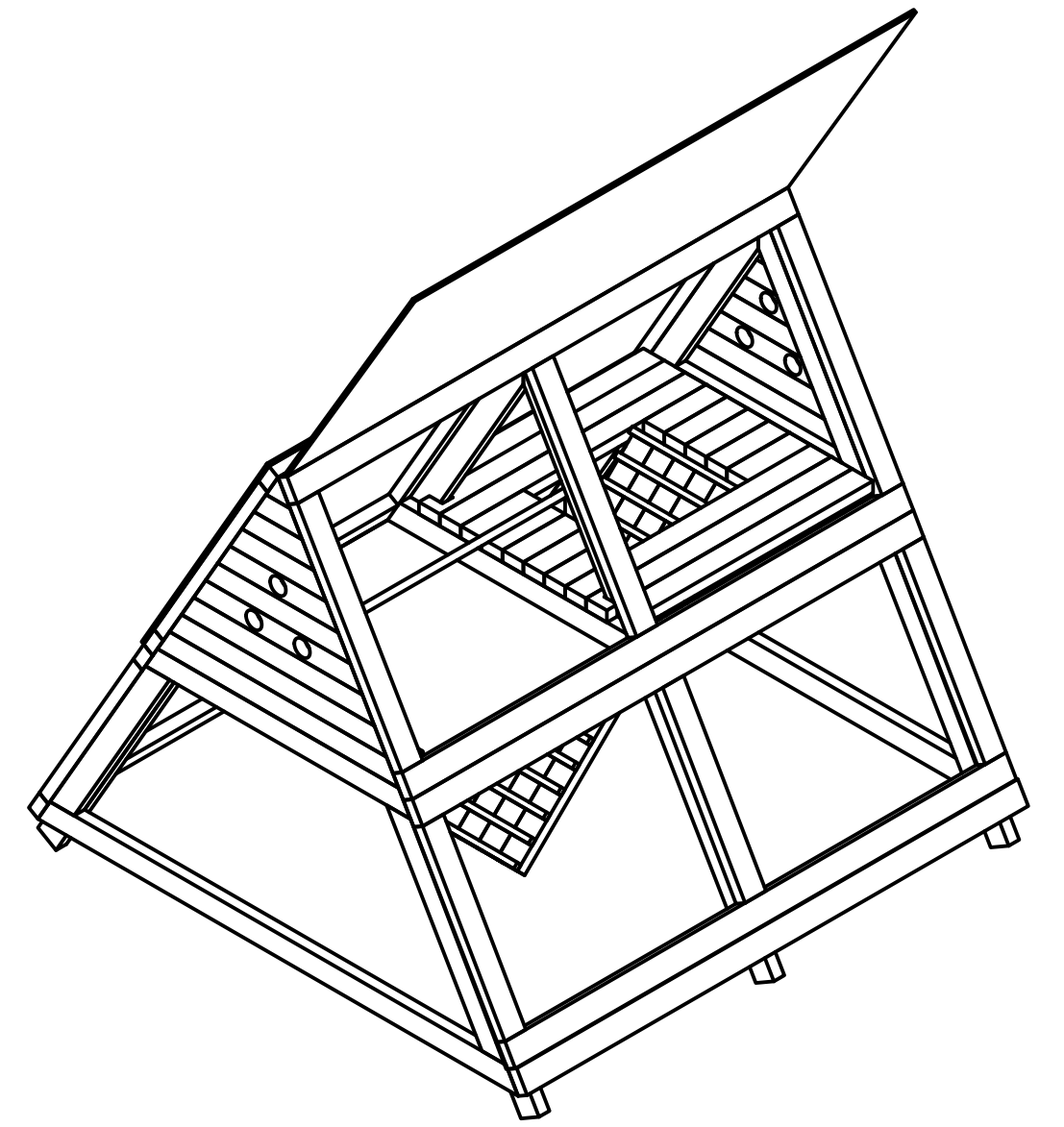
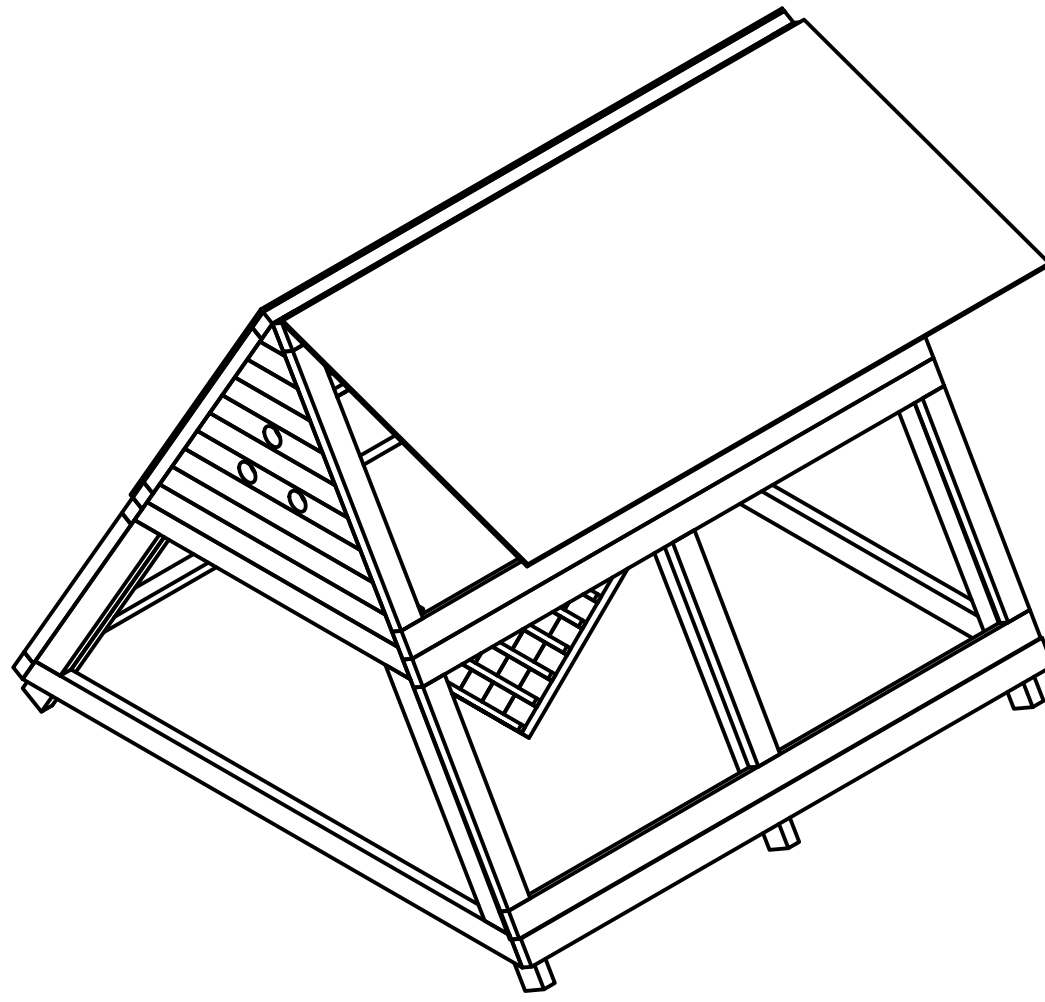
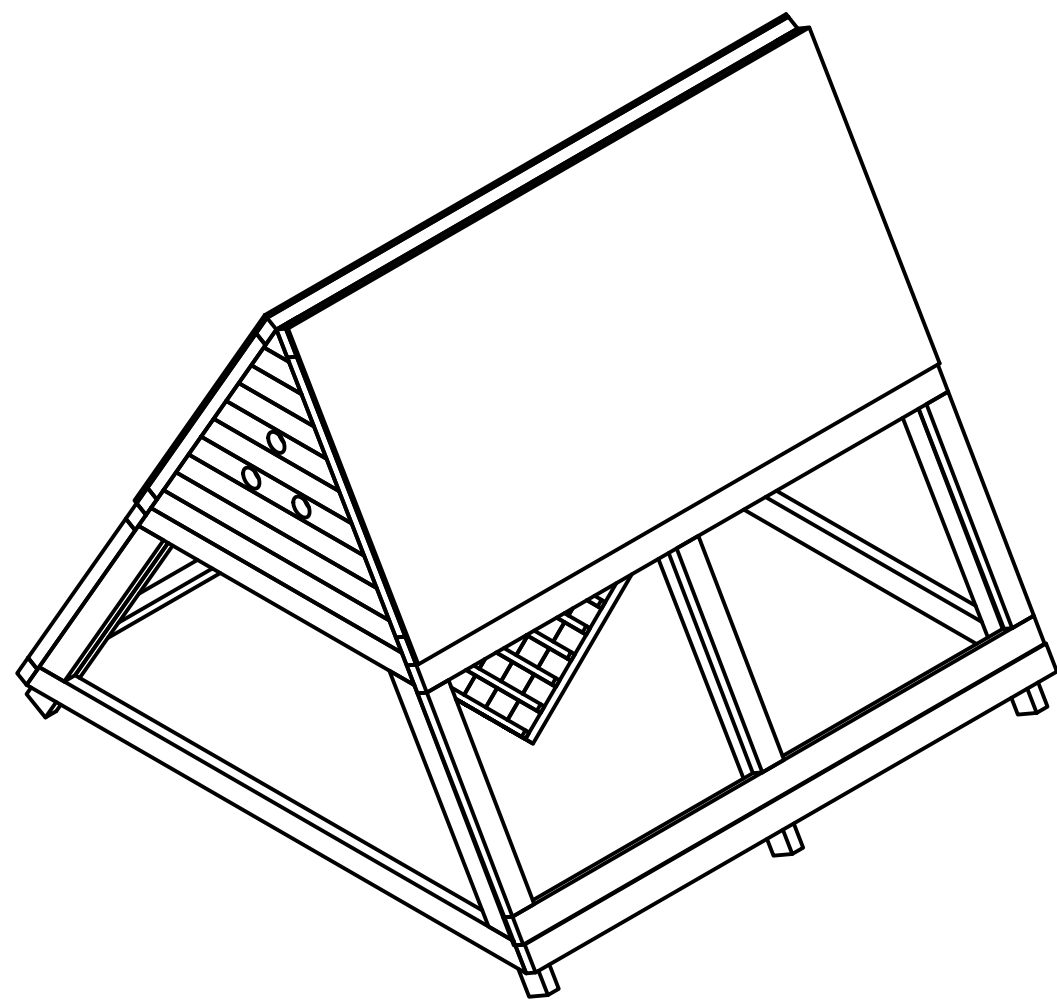
C

B

B

A

A



Two Face are Hinged for Cleaning and Egg Access

DRAWN Chris Logston	1/5/2012	TITLE Chicken Coop - V2		
CHECKED				
QA		SIZE C	DWG NO Instructions 6	REV
MFG		SCALE	SHEET 3 OF 22	
APPROVED				

4

3

2

1

D

D

C

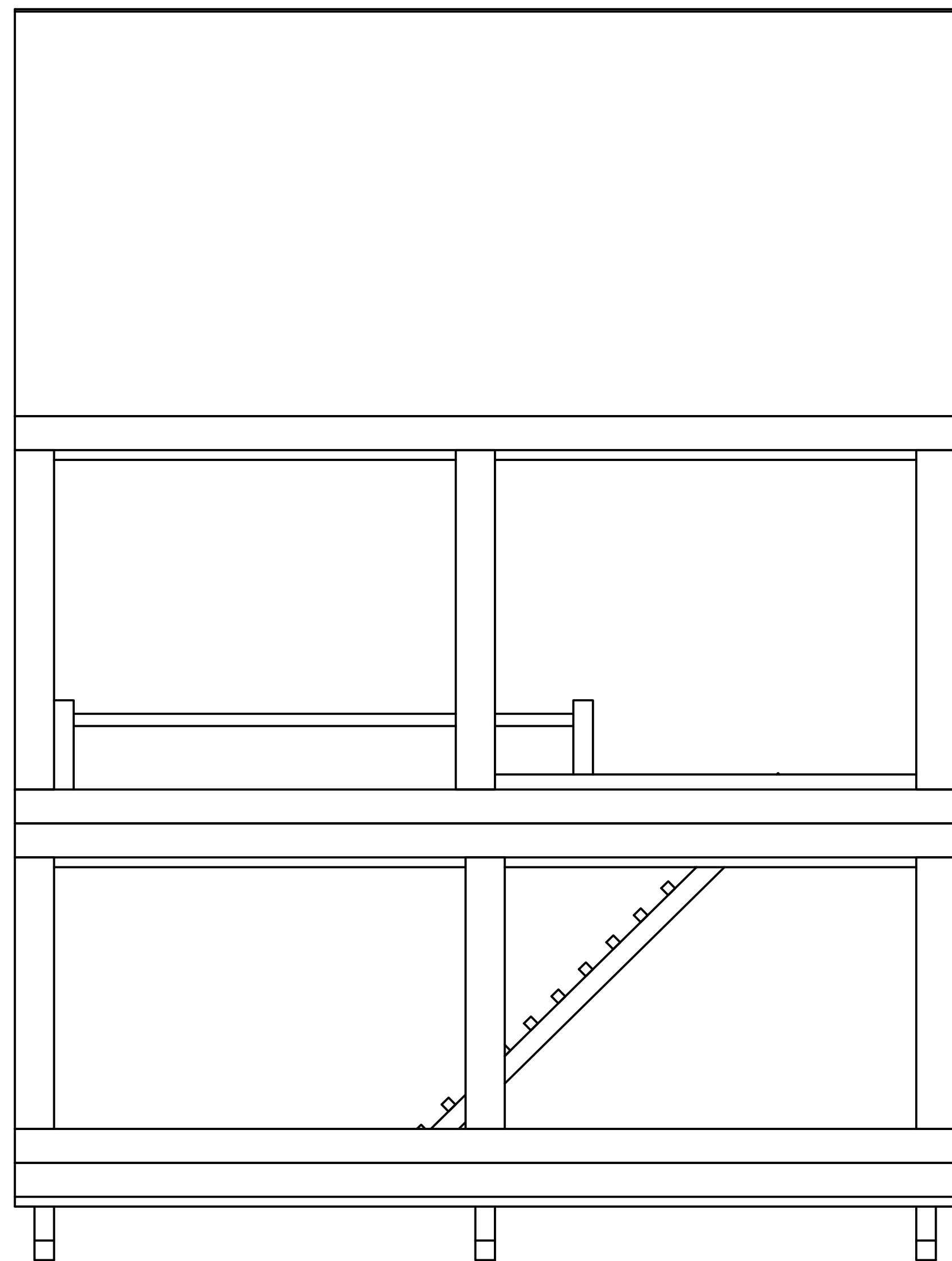
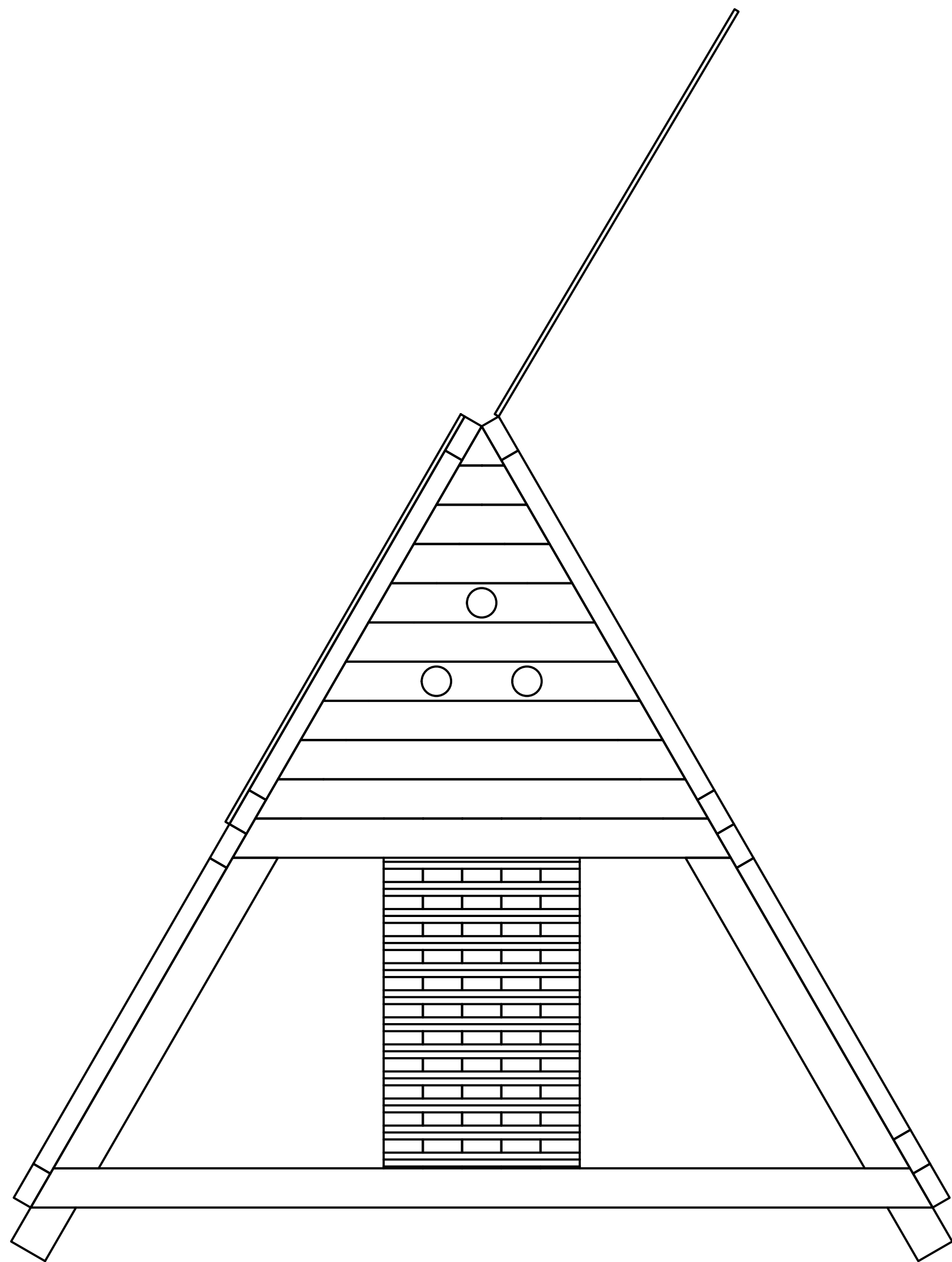
C

B

B

A

A



DRAWN Chris Logston	1/5/2012	TITLE		
CHECKED				
QA		Chicken Coop - V2		
MFG				
APPROVED		SIZE C	DWG NO Instructions 6	REV
		SCALE	SHEET 4 OF 22	

4

3

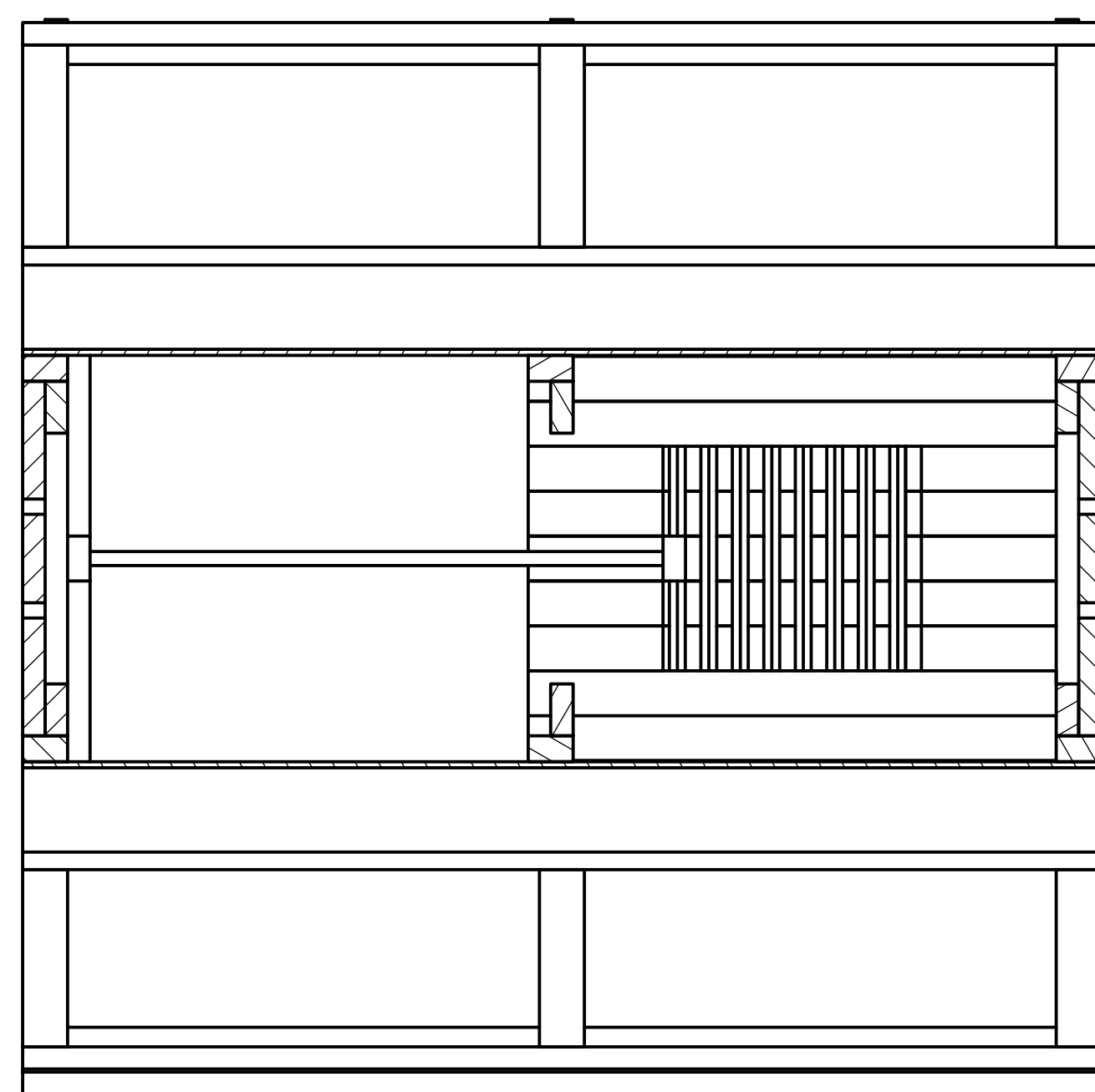
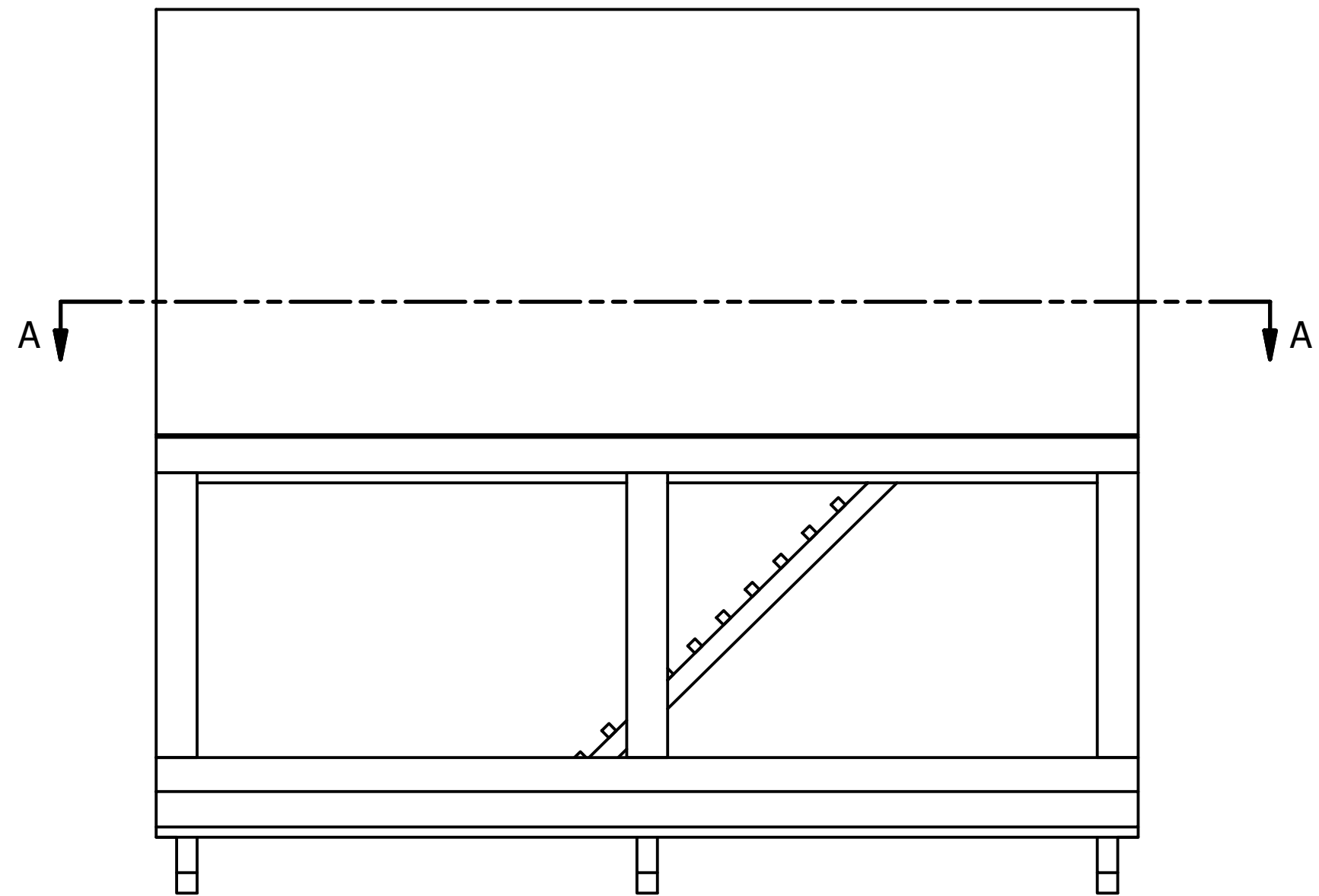
2

1

A

PRODUCED BY AN AUTODESK EDUCATIONAL PRODUCT

PRODUCED BY AN AUTODESK EDUCATIONAL PRODUCT



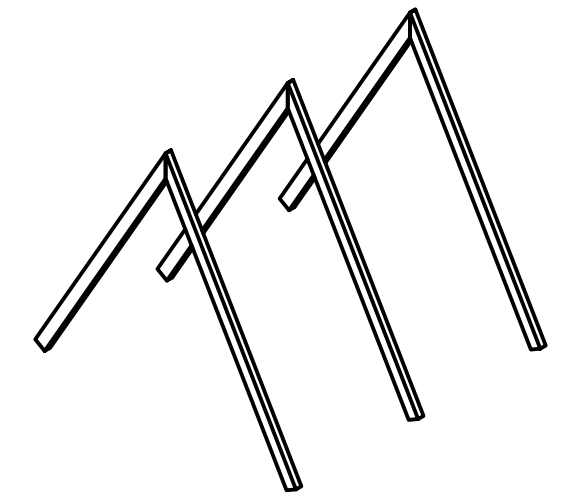
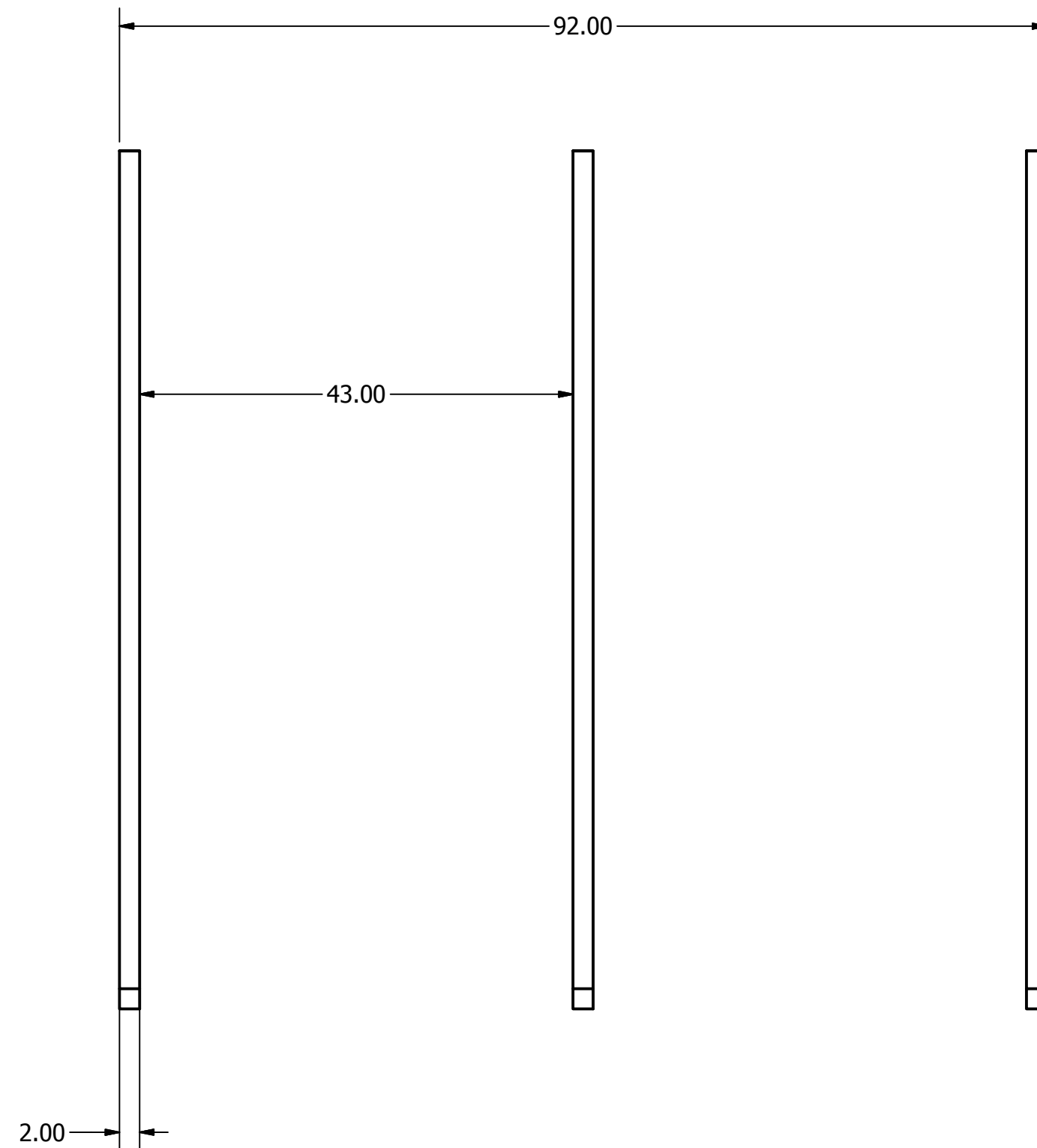
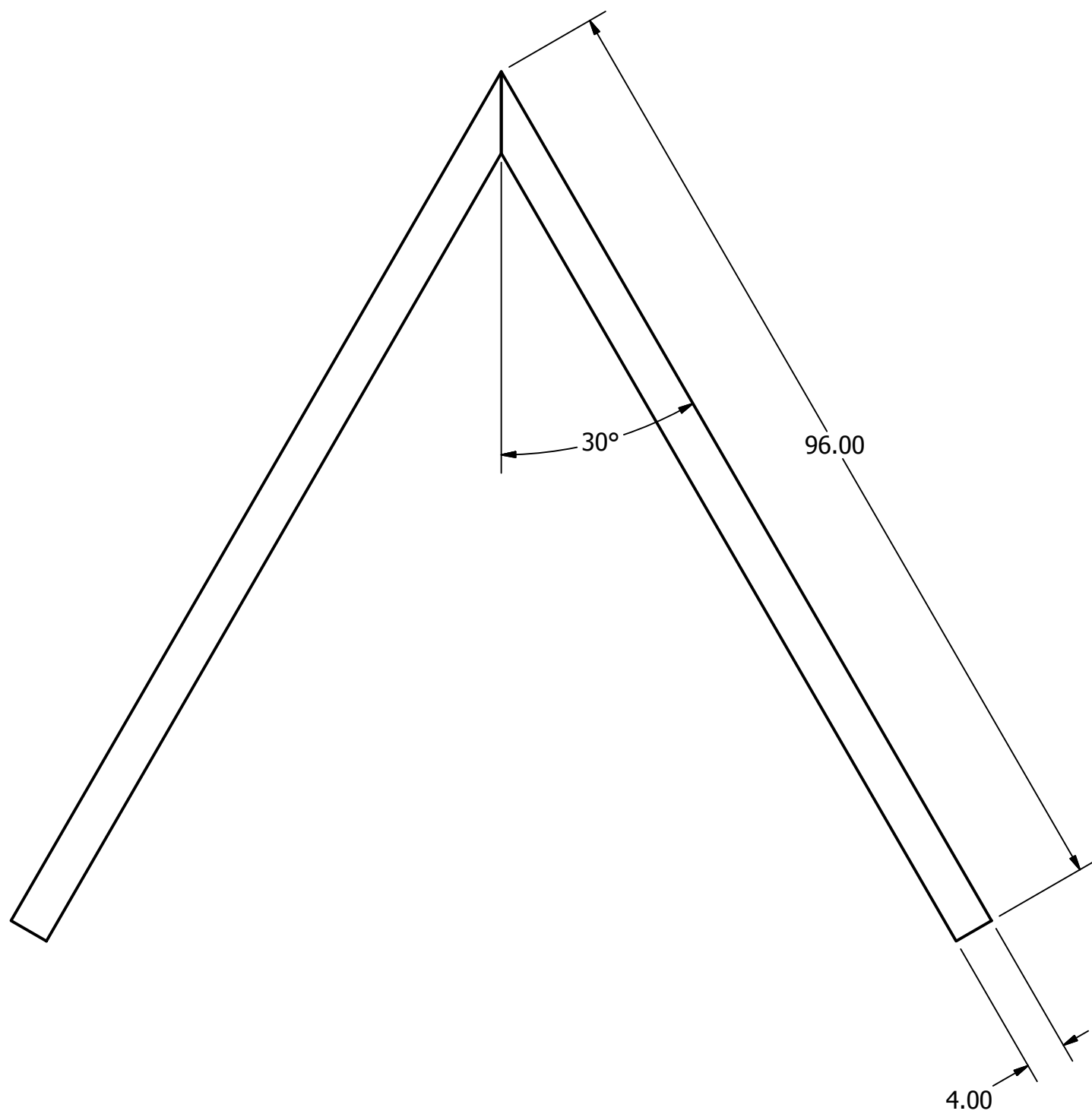
SECTION A-A
SCALE 0.07 : 1

DRAWN Chris Logston	1/5/2012	TITLE		
CHECKED				
QA		Chicken Coop - V2		
MFG				
APPROVED		SIZE	DWG NO	REV
		C	Instructions 6	
		SCALE	SHEET 5 OF 22	

PRODUCED BY AN AUTODESK EDUCATIONAL PRODUCT

PRODUCED BY AN AUTODESK EDUCATIONAL PRODUCT

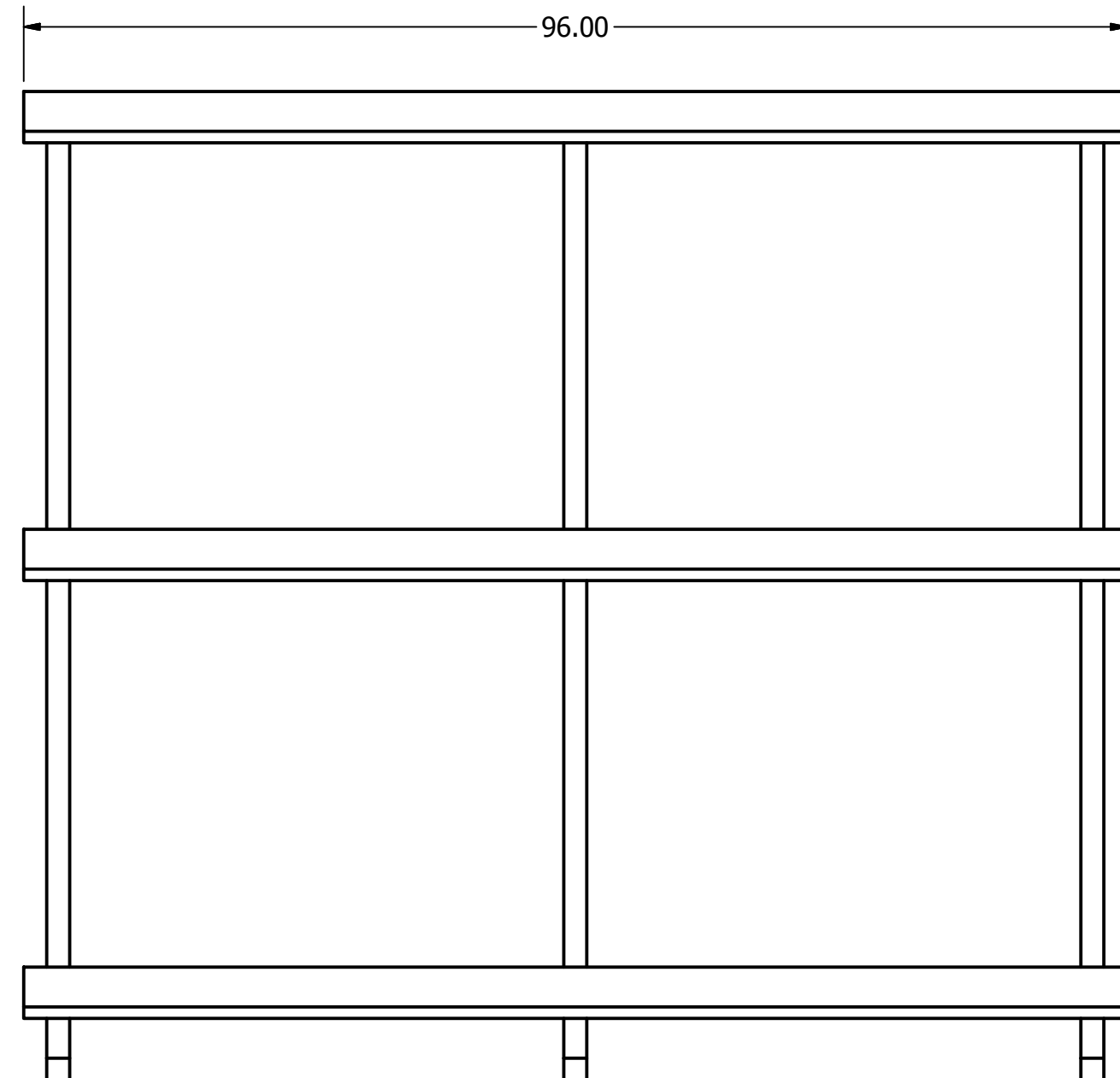
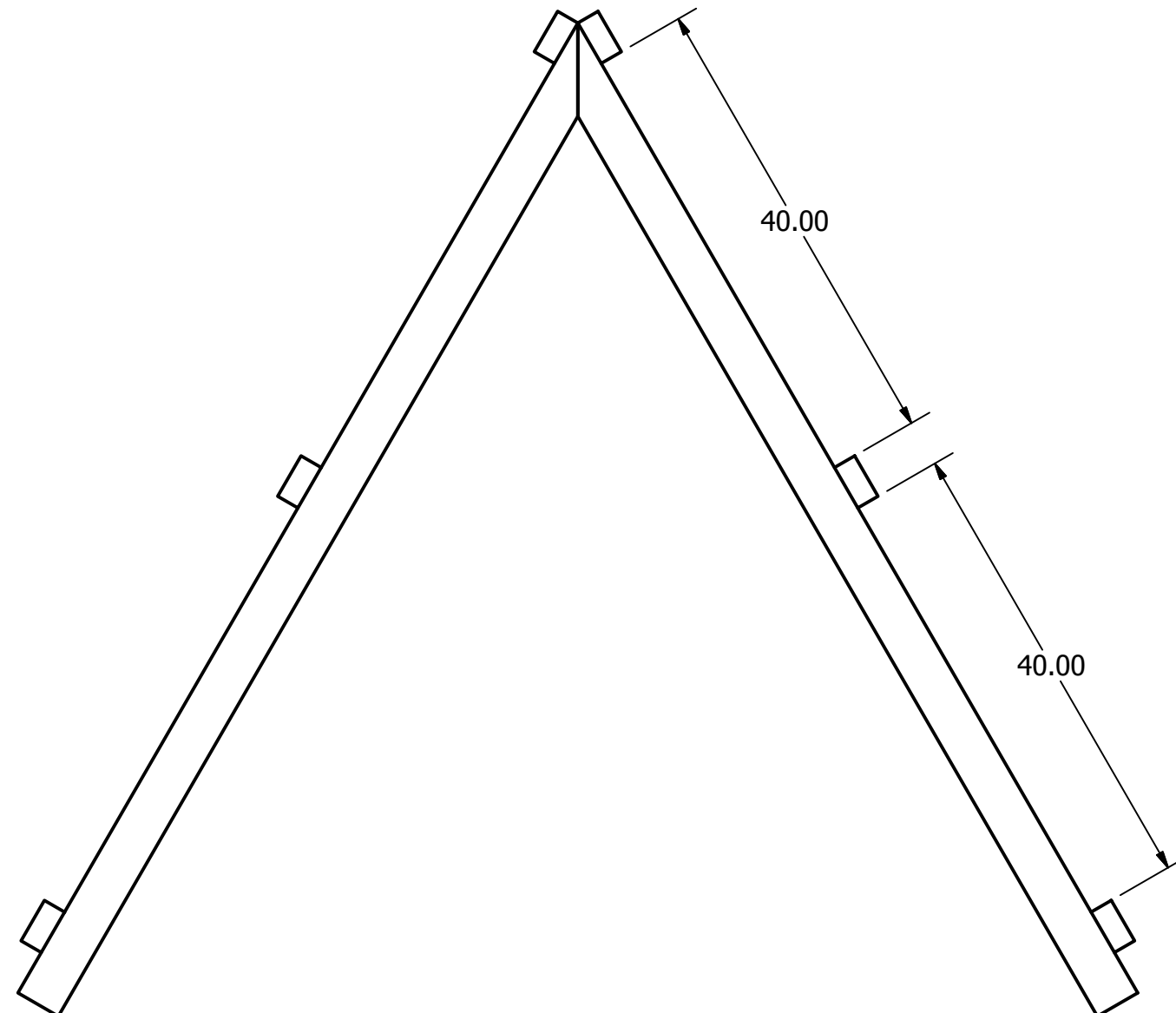
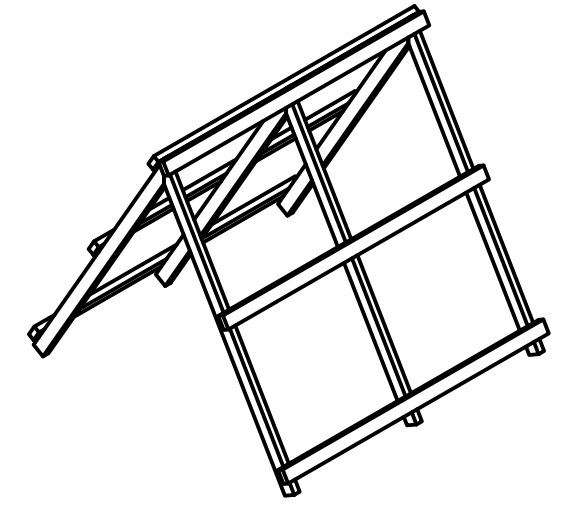
Step 1
Coop Frame Legs



All Studs are 2in x 4in unless otherwise noted

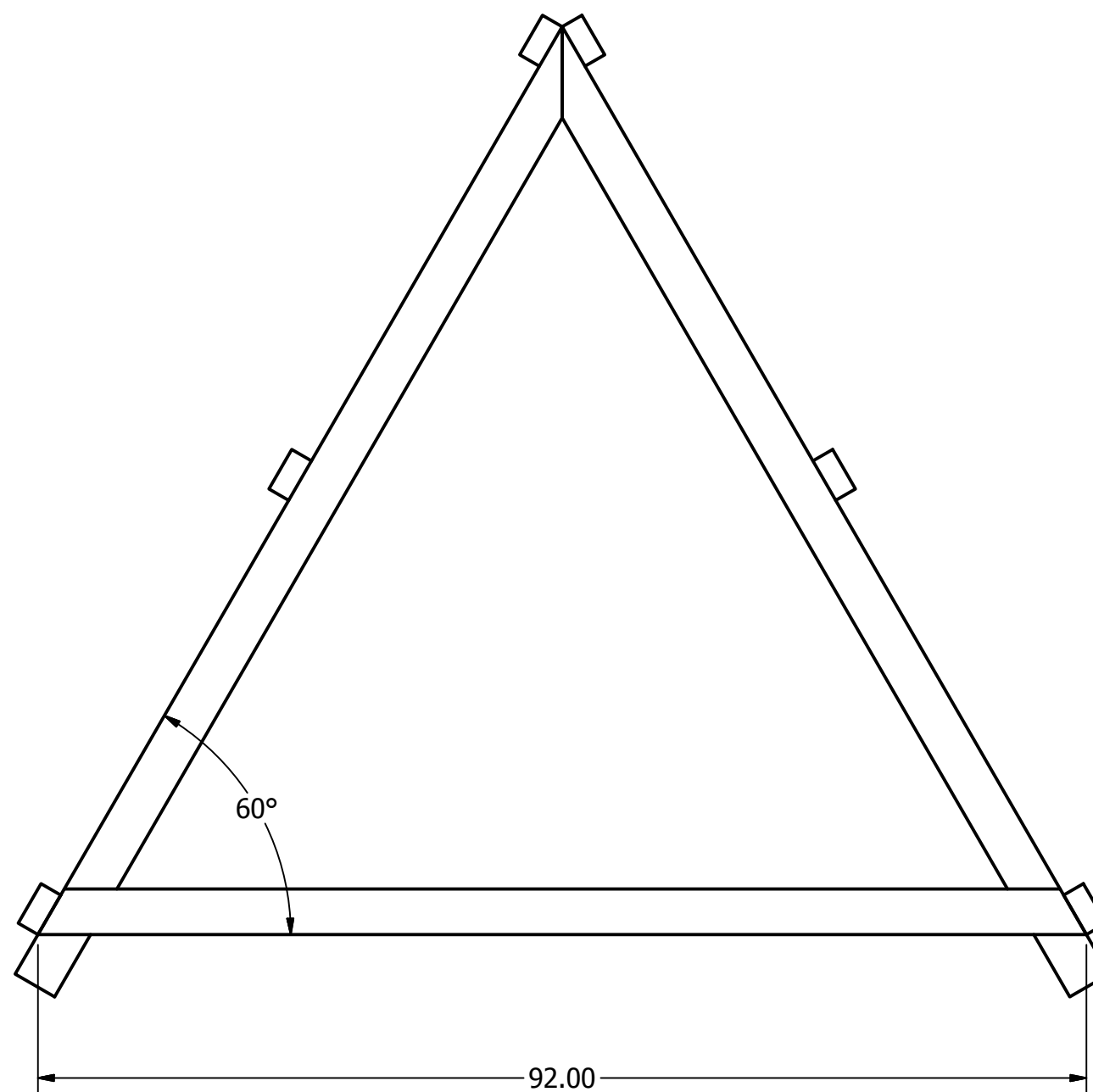
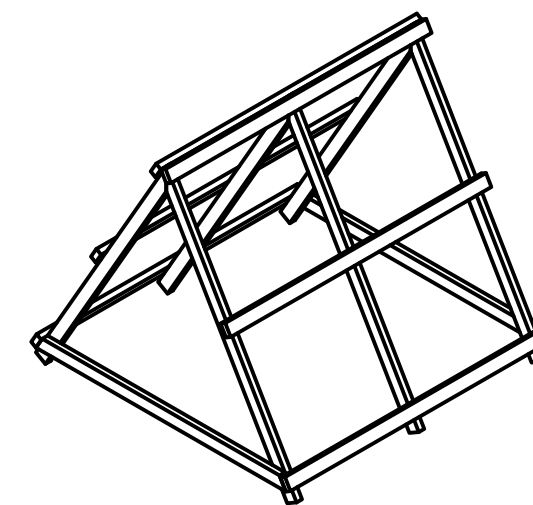
DRAWN Chris Logston	1/5/2012	TITLE		
CHECKED		Chicken Coop - V2		
QA		SIZE	DWG NO	REV
MFG		C	Instructions 6	
APPROVED		SCALE	SHEET 6 OF 22	

Step 2
Coop Frame
Horizontal Beams



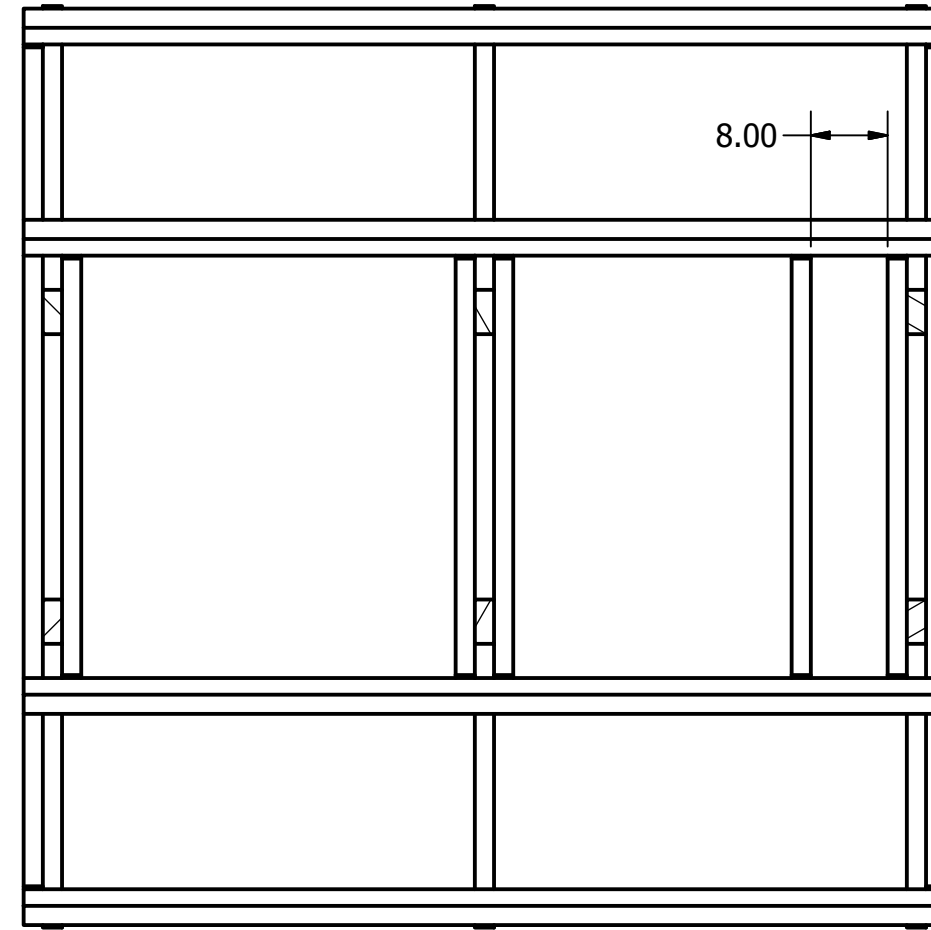
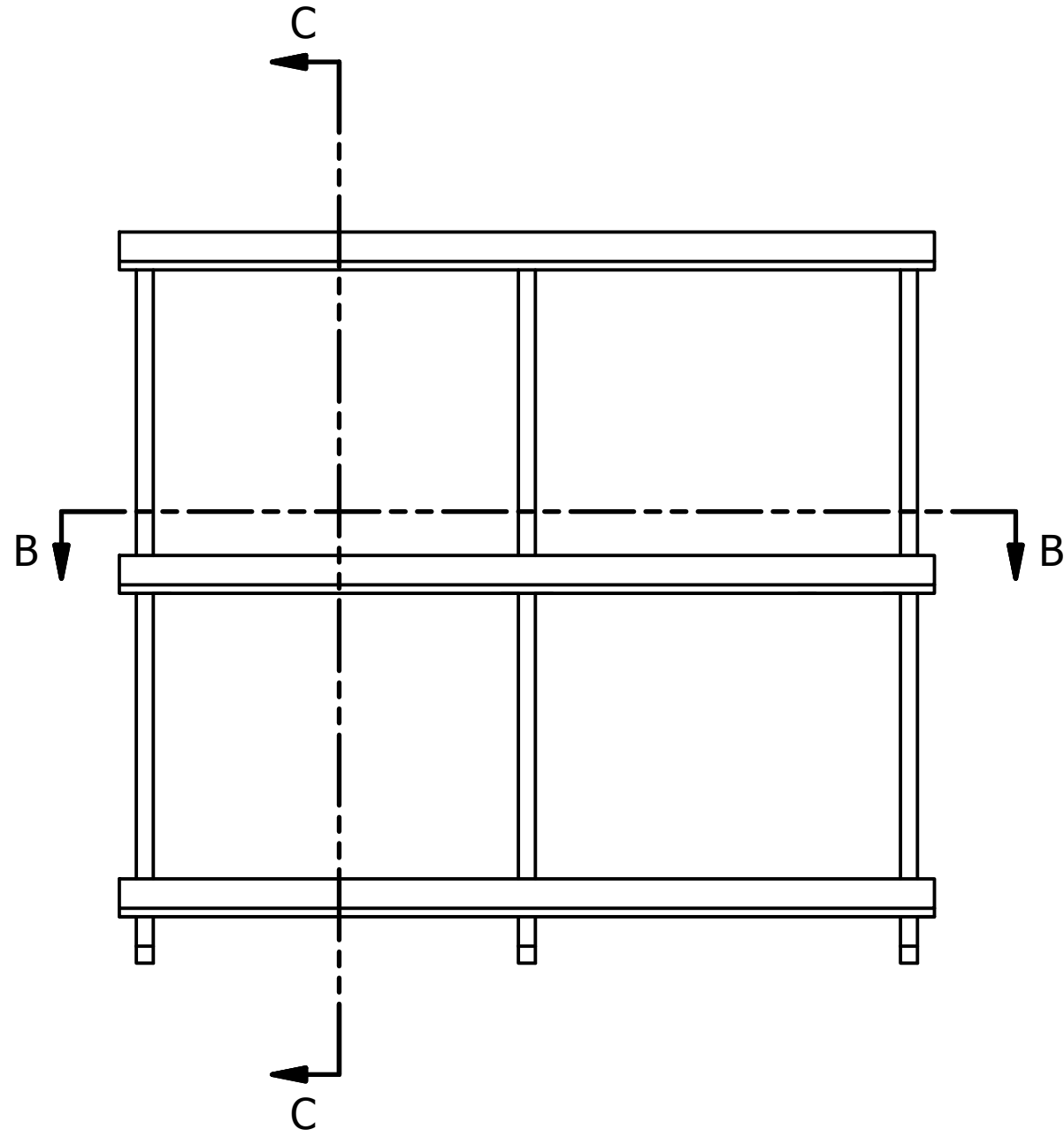
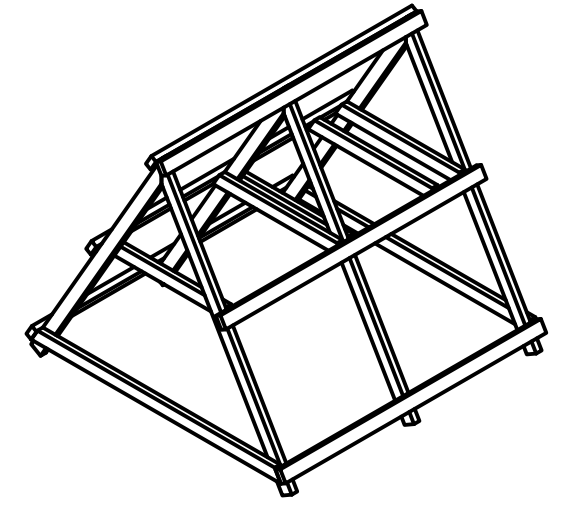
DRAWN Chris Logston	1/5/2012	TITLE		
CHECKED				
QA		Chicken Coop - V2		
MFG				
APPROVED		SIZE C	DWG NO Instructions 6	REV
		SCALE	SHEET 7 OF 22	

Step 3
Frame Leg Support Beam

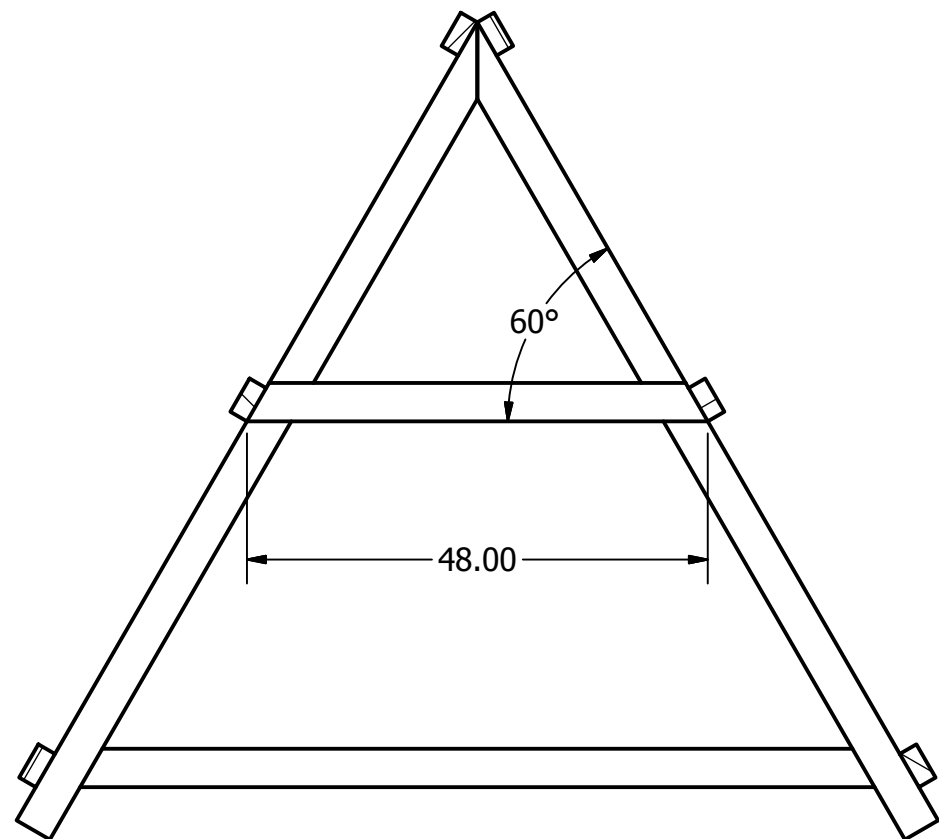


DRAWN Chris Logston	1/5/2012			
CHECKED		TITLE		
QA		Chicken Coop - V2		
MFG		SIZE	DWG NO	REV
APPROVED		C	Instructions 6	
		SCALE	SHEET 8 OF 22	

Step 4
Living Quarters
Landing Support



SECTION B-B
SCALE 0.05 : 1



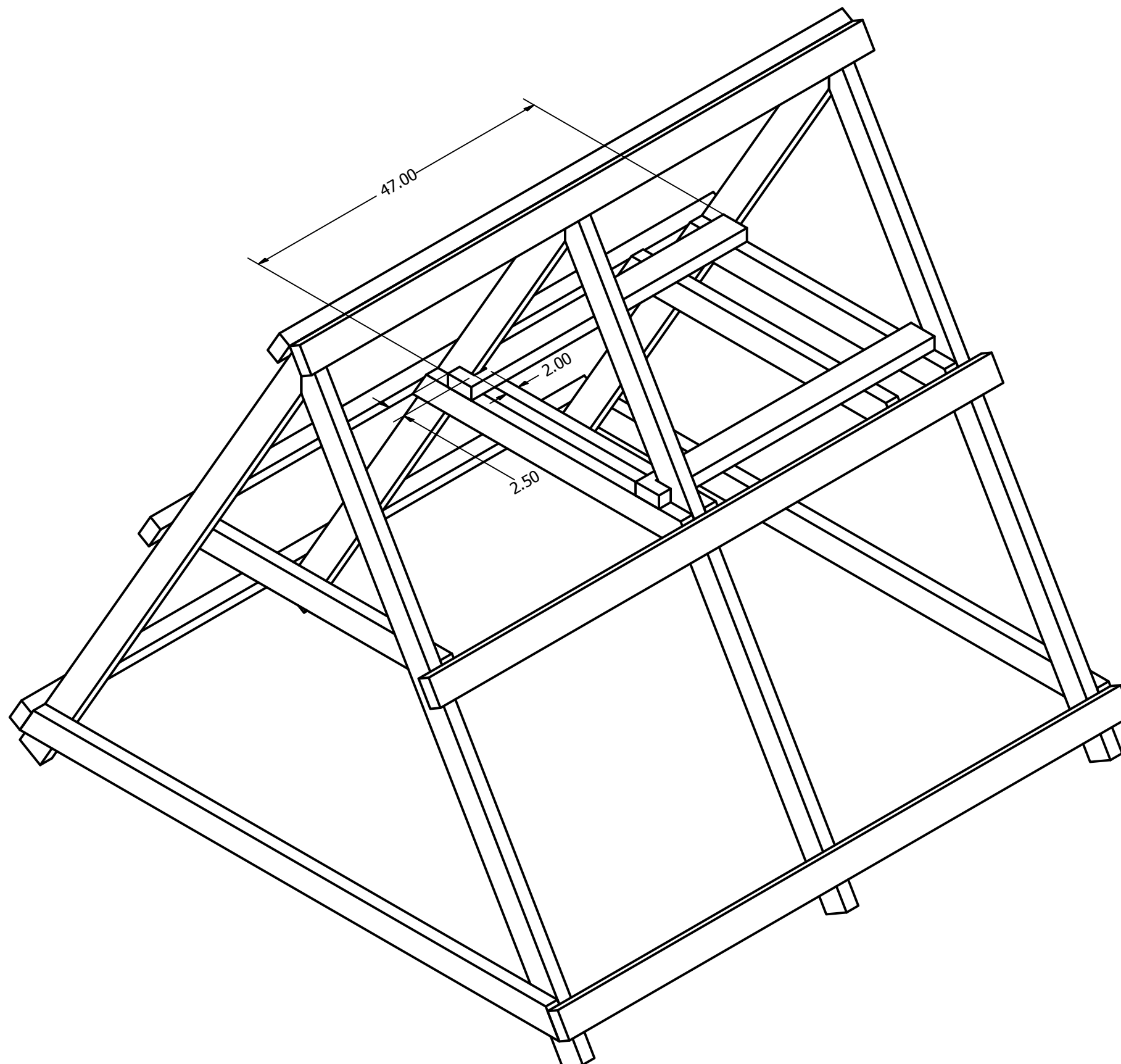
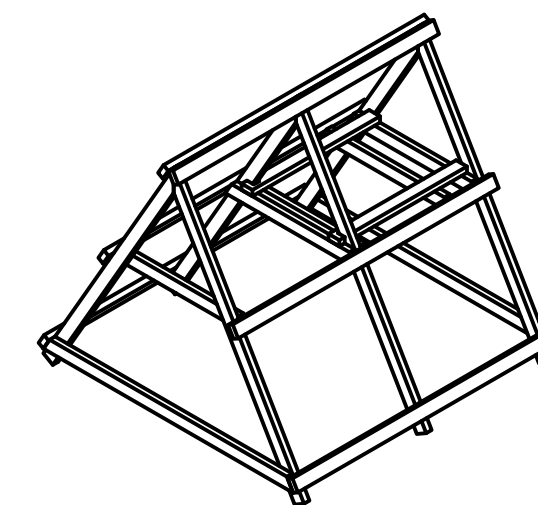
SECTION C-C
SCALE 0.05 : 1

DRAWN Chris Logston	1/5/2012	TITLE		
CHECKED				
QA		Chicken Coop - V2		
MFG				
APPROVED		SIZE	DWG NO	REV
		C	Instructions 6	
		SCALE	SHEET 9 OF 22	

PRODUCED BY AN AUTODESK EDUCATIONAL PRODUCT

PRODUCED BY AN AUTODESK EDUCATIONAL PRODUCT

Step 5
Cut Landing Pieces

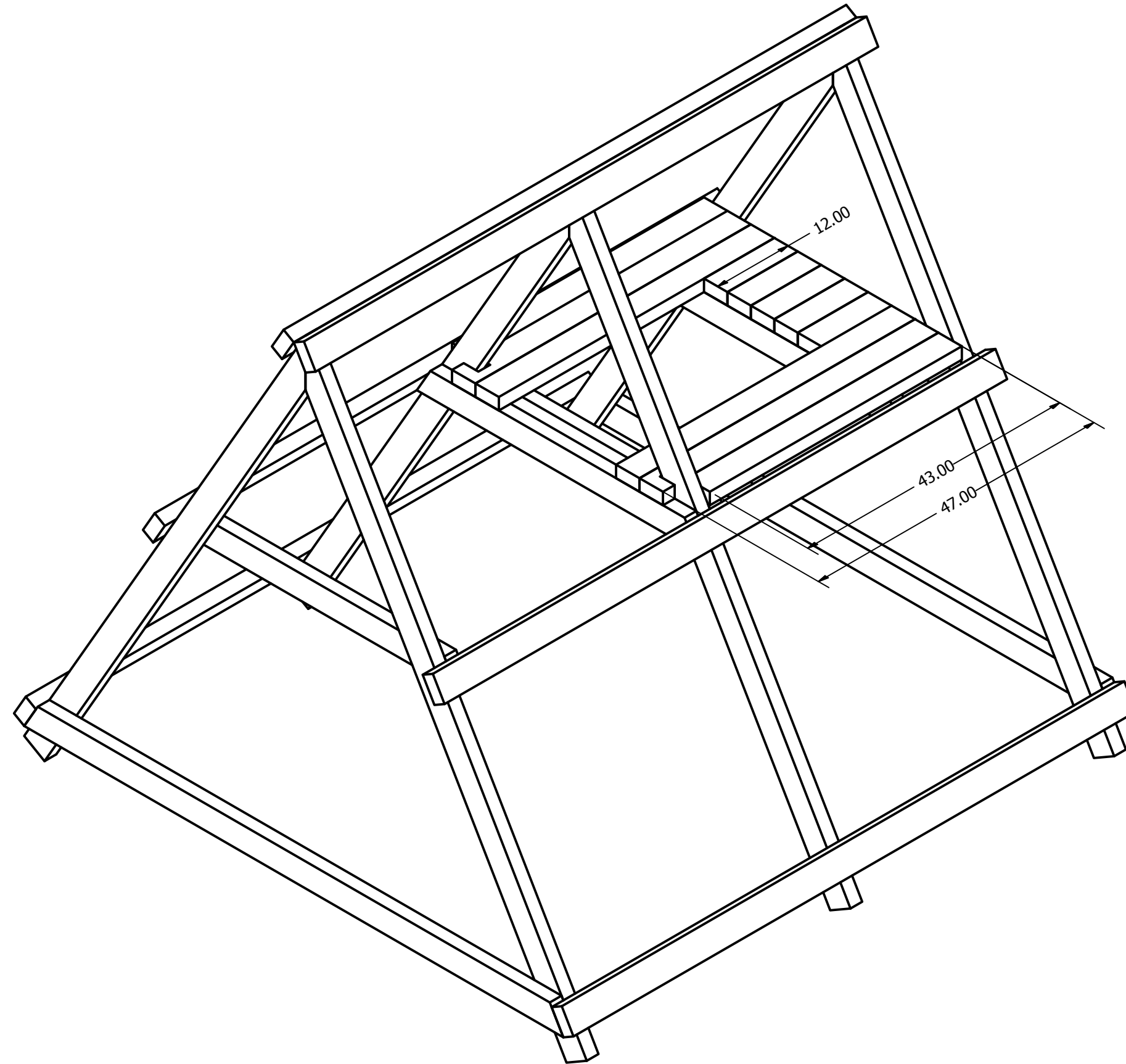
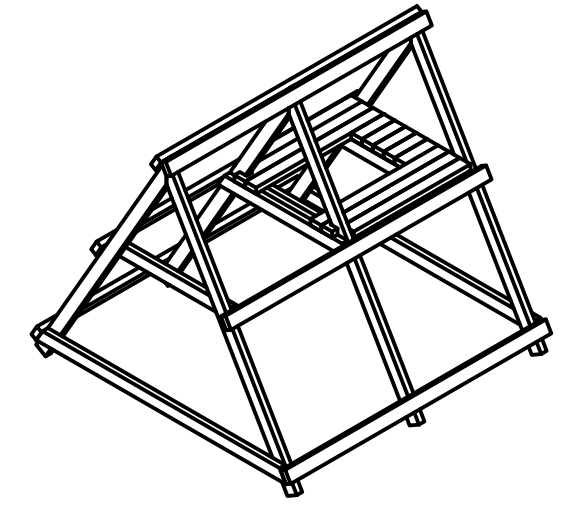


PRODUCED BY AN AUTODESK EDUCATIONAL PRODUCT

PRODUCED BY AN AUTODESK EDUCATIONAL PRODUCT

DRAWN Chris Logston	1/5/2012			
CHECKED		TITLE		
QA		Chicken Coop - V2		
MFG		SIZE	DWG NO	REV
APPROVED		C	Instructions 6	
		SCALE	SHEET 10 OF 22	

Step 6
Second Landing Studs

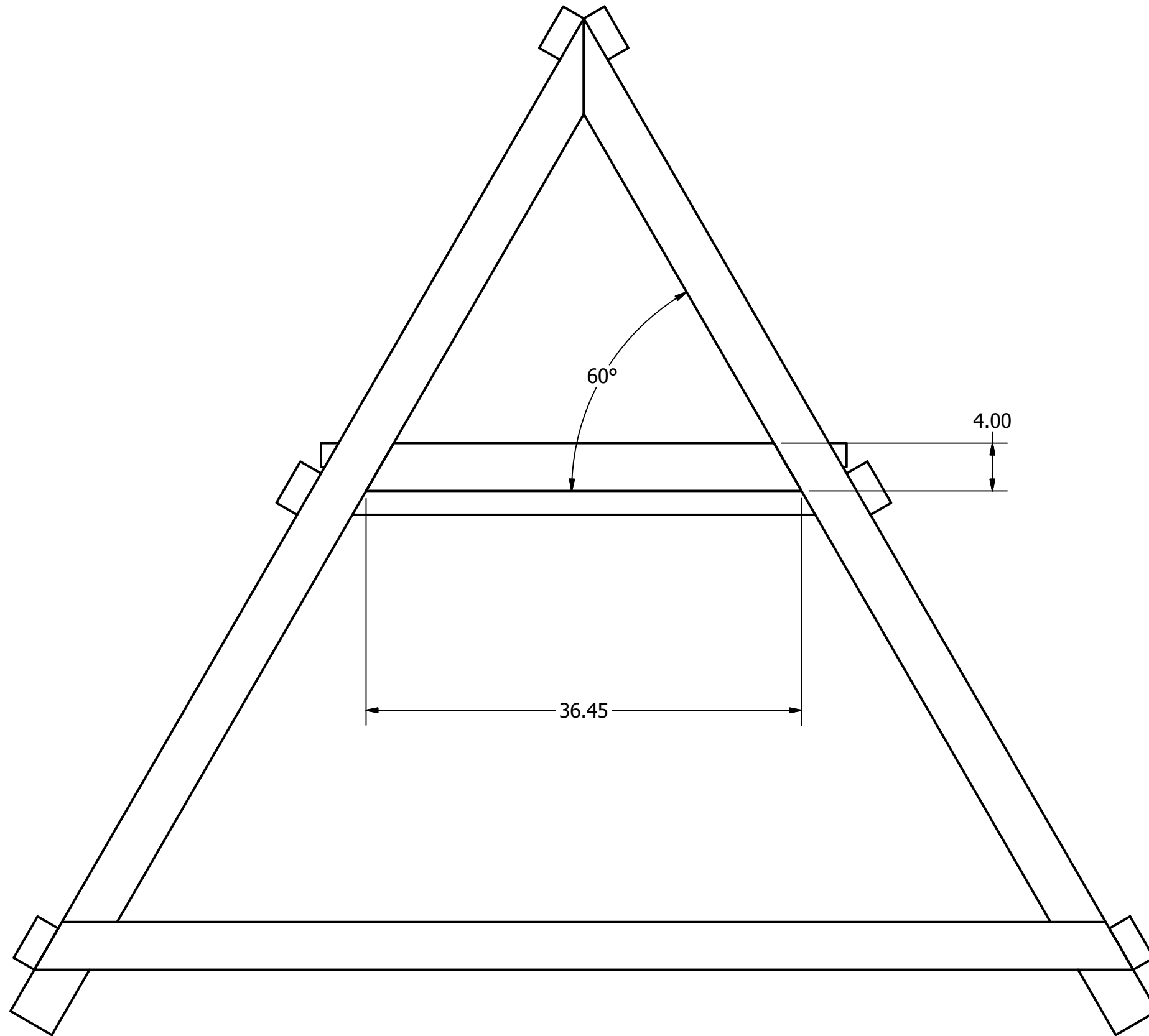
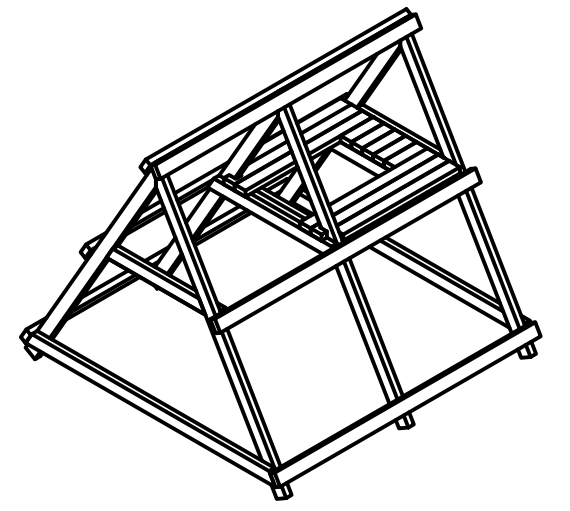


PRODUCED BY AN AUTODESK EDUCATIONAL PRODUCT

PRODUCED BY AN AUTODESK EDUCATIONAL PRODUCT

DRAWN Chris Logston	1/5/2012			
CHECKED		TITLE		
QA		Chicken Coop - V2		
MFG		SIZE	DWG NO	REV
APPROVED		C	Instructions 6	
		SCALE	SHEET 11 OF 22	

Step 7
Side Beam

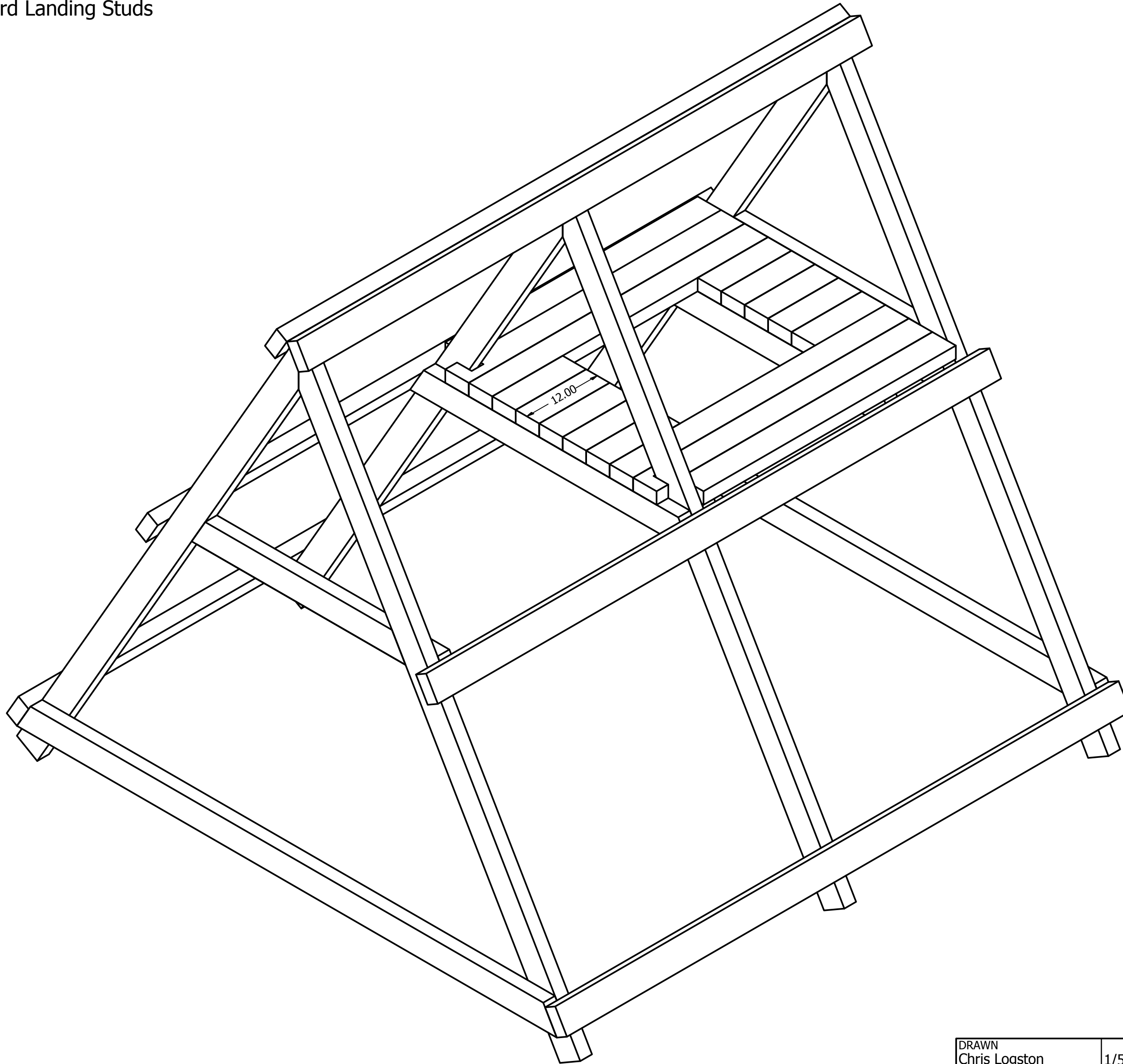
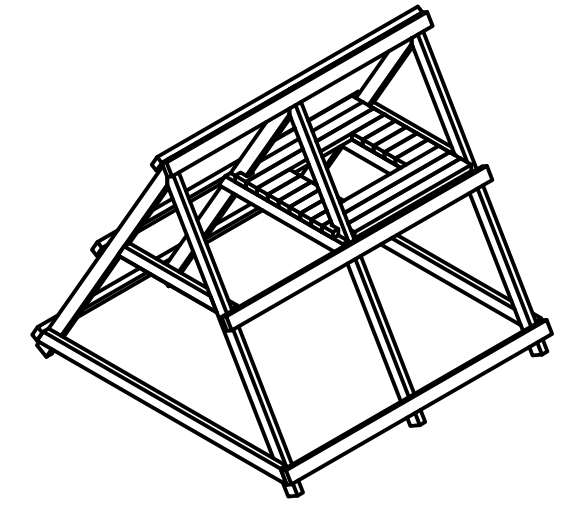


DRAWN Chris Logston	1/5/2012	TITLE		
CHECKED				
QA		Chicken Coop - V2		
MFG				
APPROVED		SIZE C	DWG NO Instructions 6	REV
		SCALE	SHEET 12 OF 22	

PRODUCED BY AN AUTODESK EDUCATIONAL PRODUCT

PRODUCED BY AN AUTODESK EDUCATIONAL PRODUCT

Step 8
Third Landing Studs

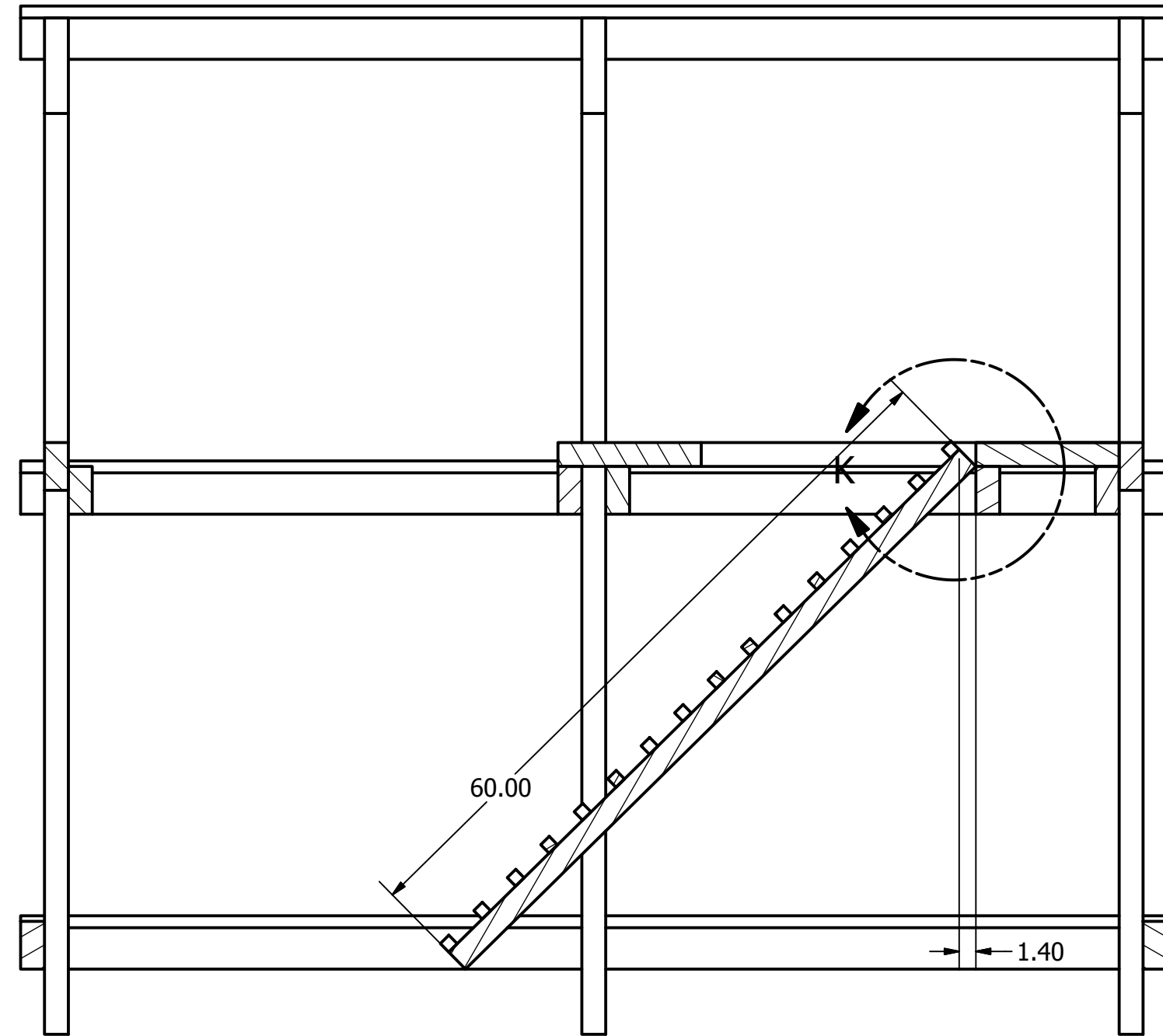
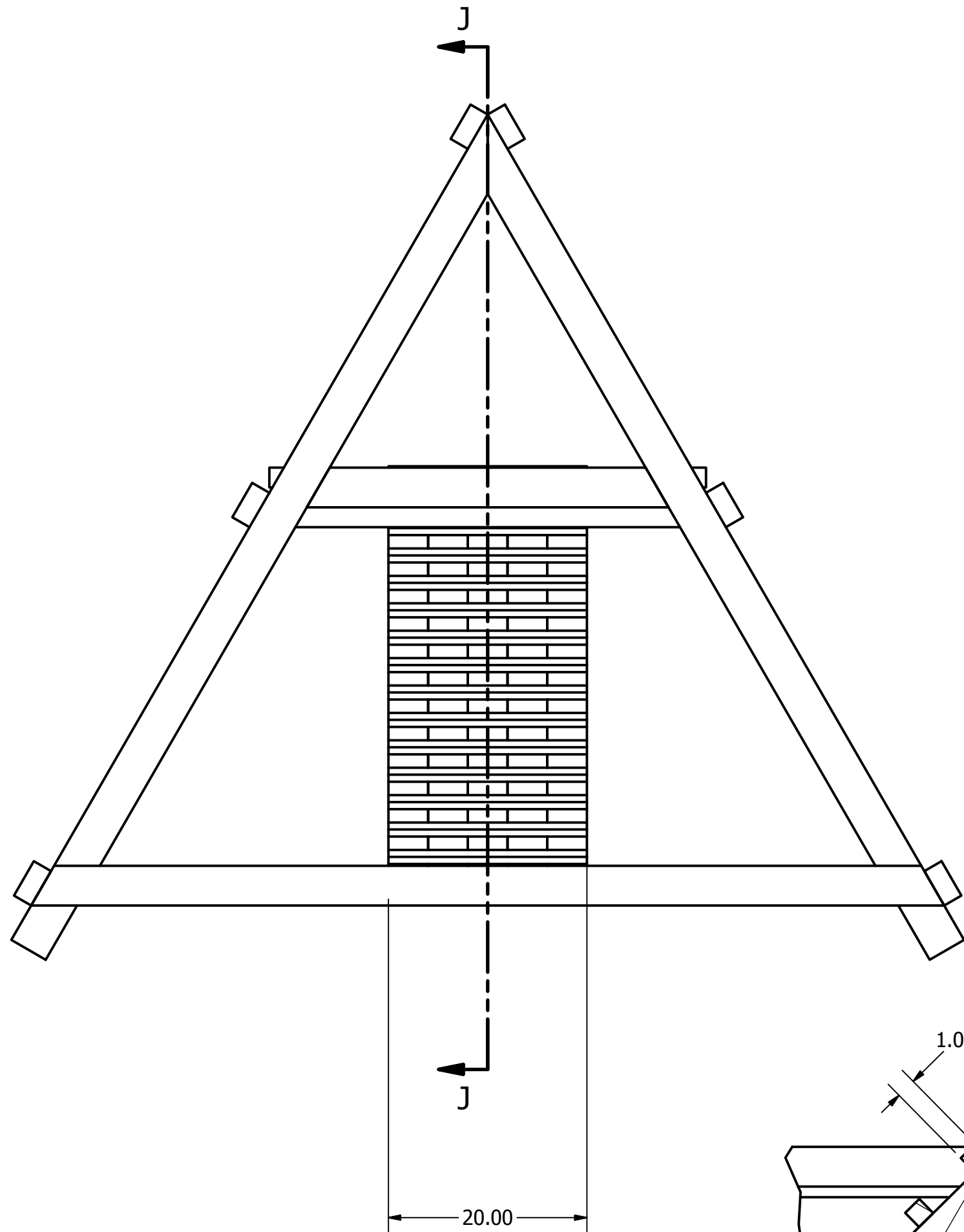
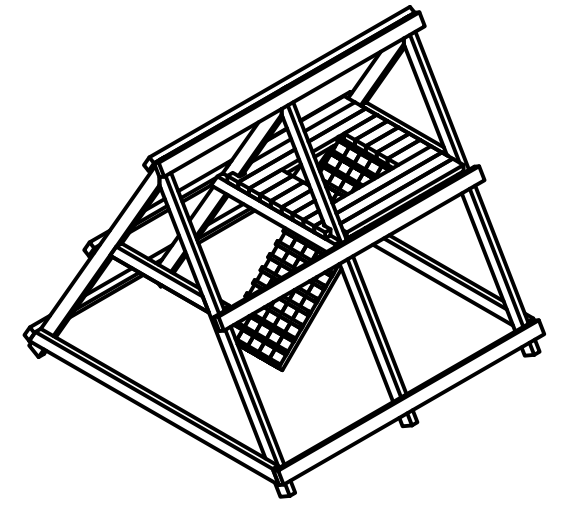


PRODUCED BY AN AUTODESK EDUCATIONAL PRODUCT

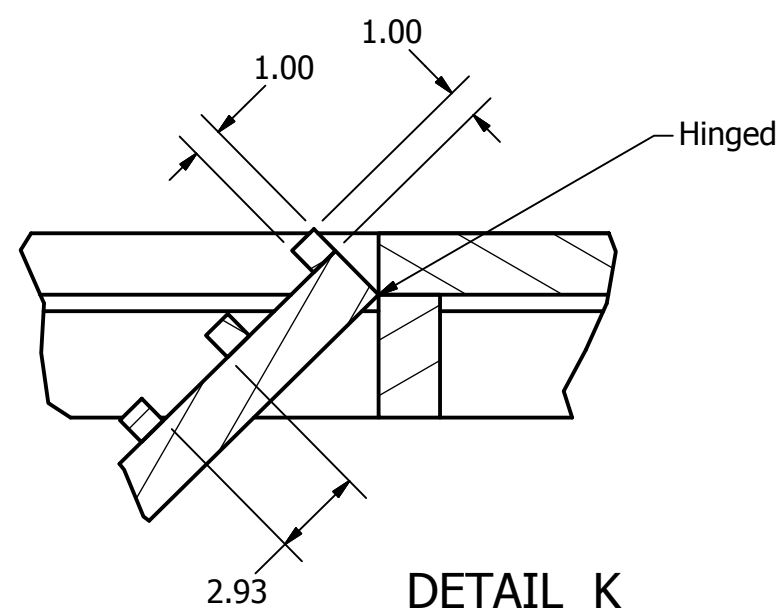
PRODUCED BY AN AUTODESK EDUCATIONAL PRODUCT

DRAWN Chris Logston	1/5/2012			
CHECKED		TITLE		
QA		Chicken Coop - V2		
MFG		SIZE	DWG NO	REV
APPROVED		C	Instructions 6	
		SCALE	SHEET 13 OF 22	

Step 9
Ladder



SECTION J-J
SCALE 0.08 : 1



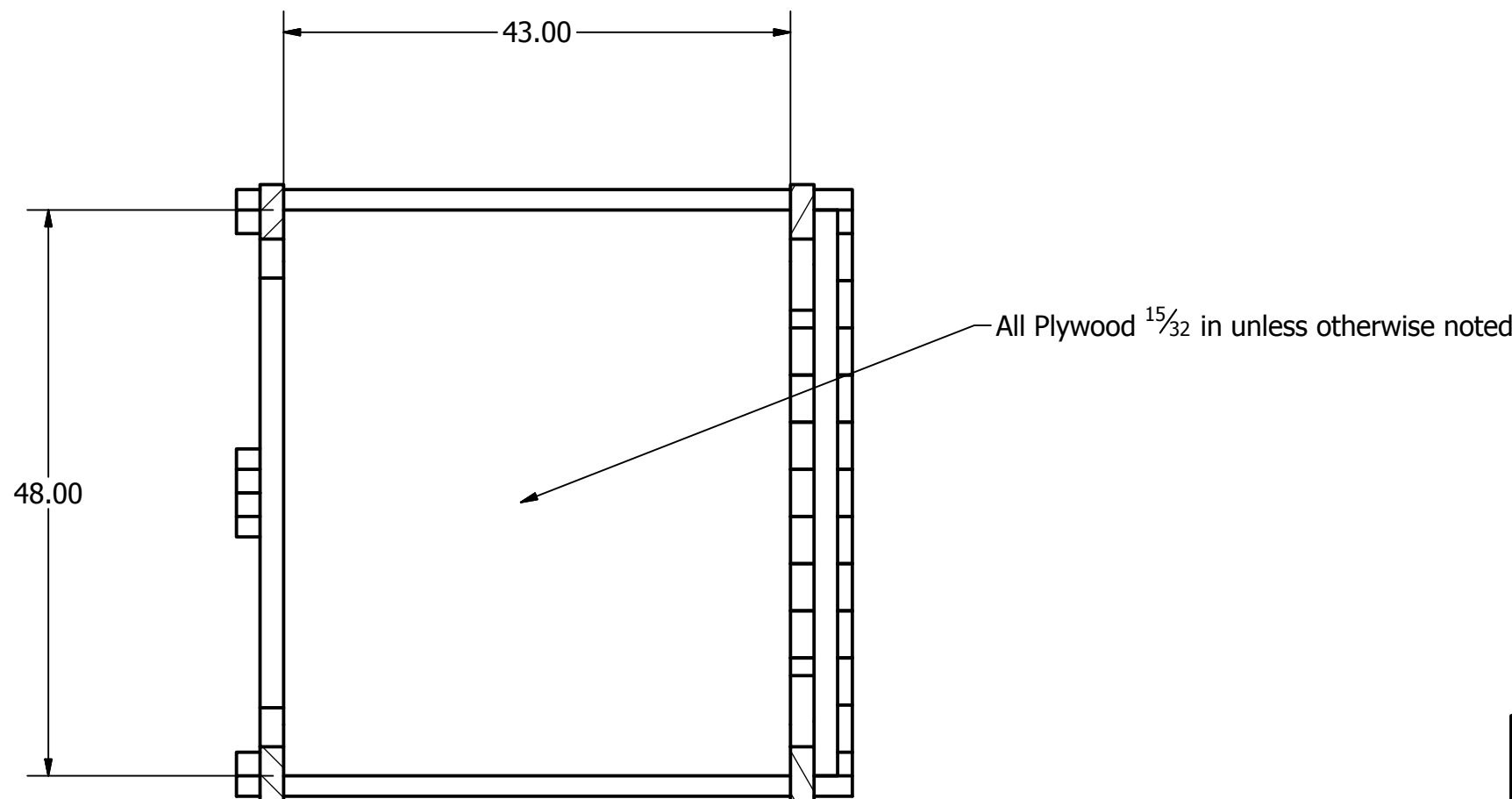
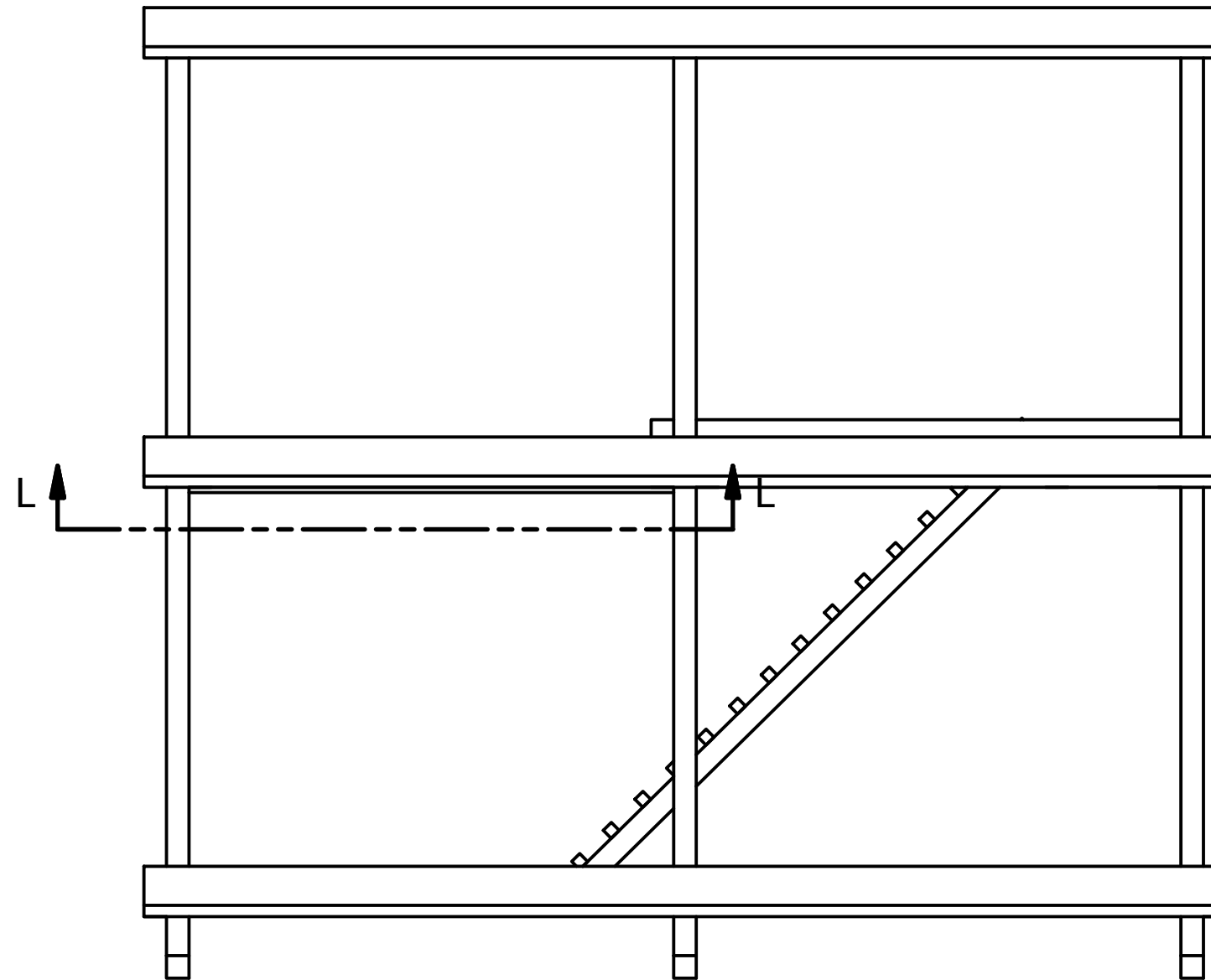
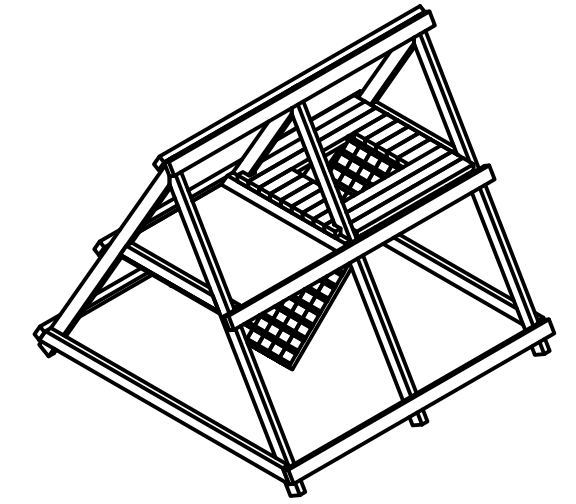
DETAIL K
SCALE 0.16 : 1

DRAWN Chris Logston	1/5/2012	TITLE		
CHECKED				
QA		Chicken Coop - V2		
MFG		SIZE C	DWG NO Instructions 6	REV
APPROVED		SCALE	SHEET 14 OF 22	

PRODUCED BY AN AUTODESK EDUCATIONAL PRODUCT

PRODUCED BY AN AUTODESK EDUCATIONAL PRODUCT

Step 10
Bedding Board



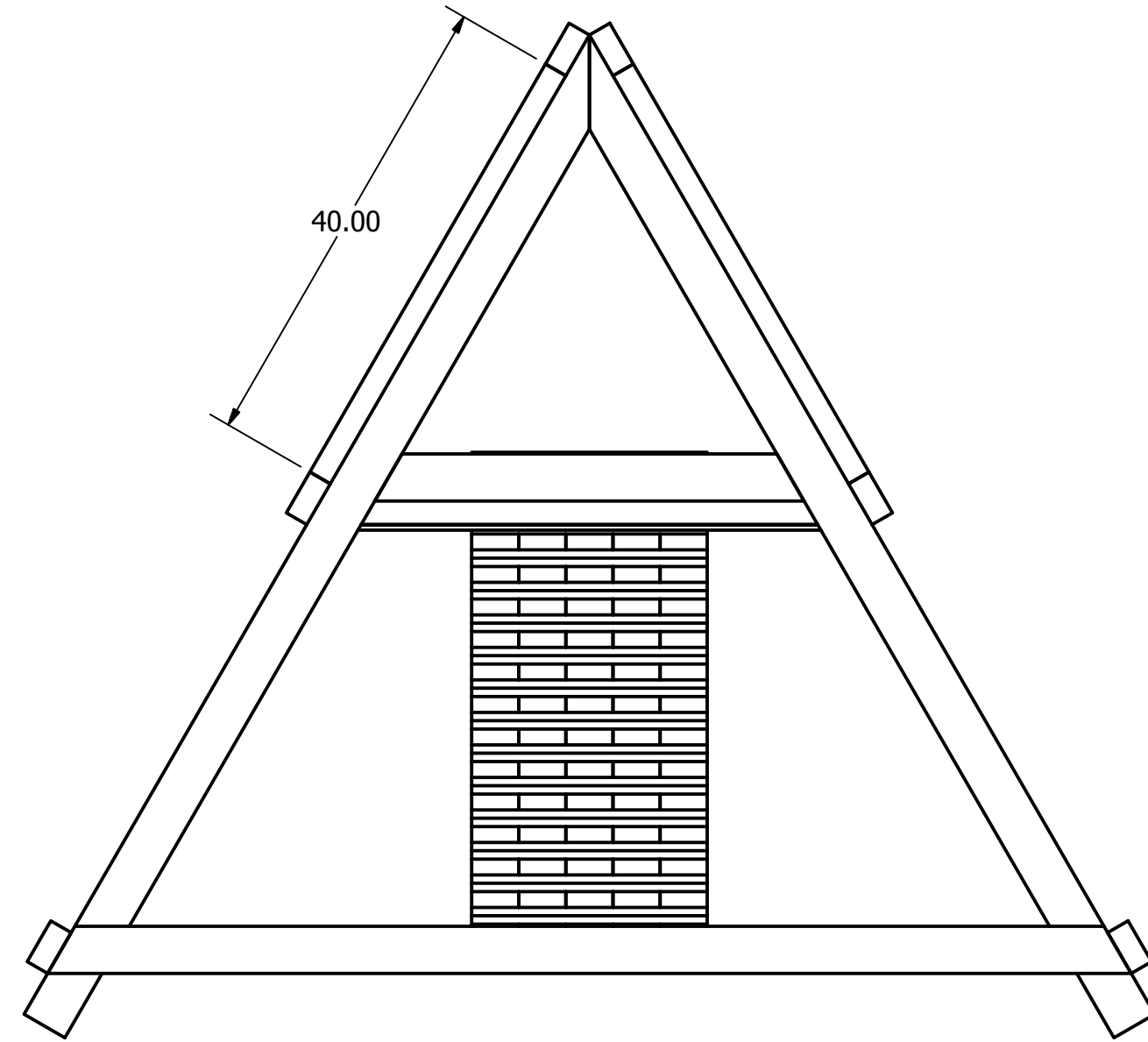
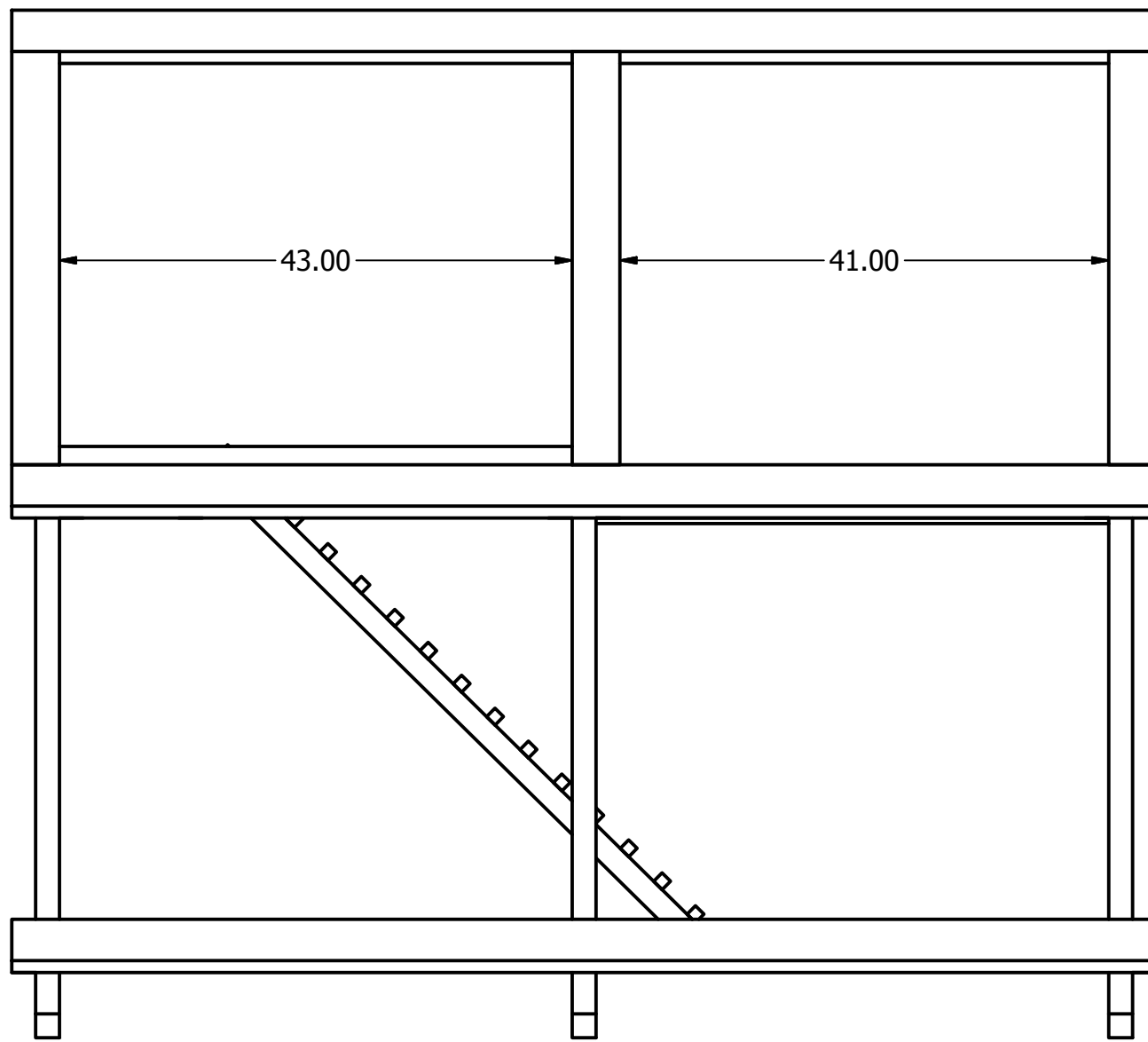
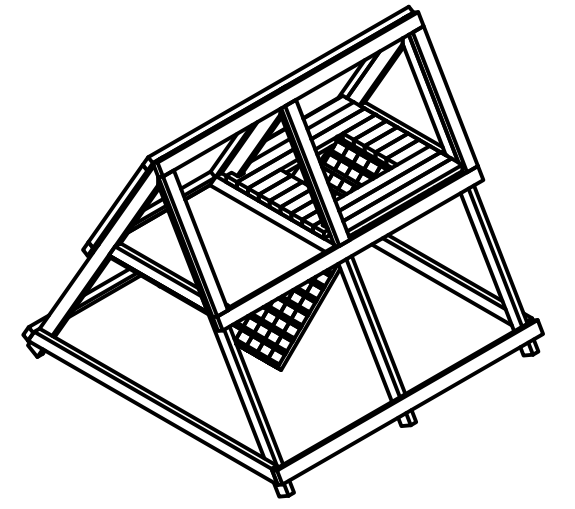
SECTION L-L
SCALE 0.07 : 1

DRAWN Chris Logston	1/5/2012	TITLE		
CHECKED				
QA		Chicken Coop - V2		
MFG				
APPROVED		SIZE	DWG NO	REV
		C	Instructions 6	
		SCALE	SHEET 15 OF 22	

PRODUCED BY AN AUTODESK EDUCATIONAL PRODUCT

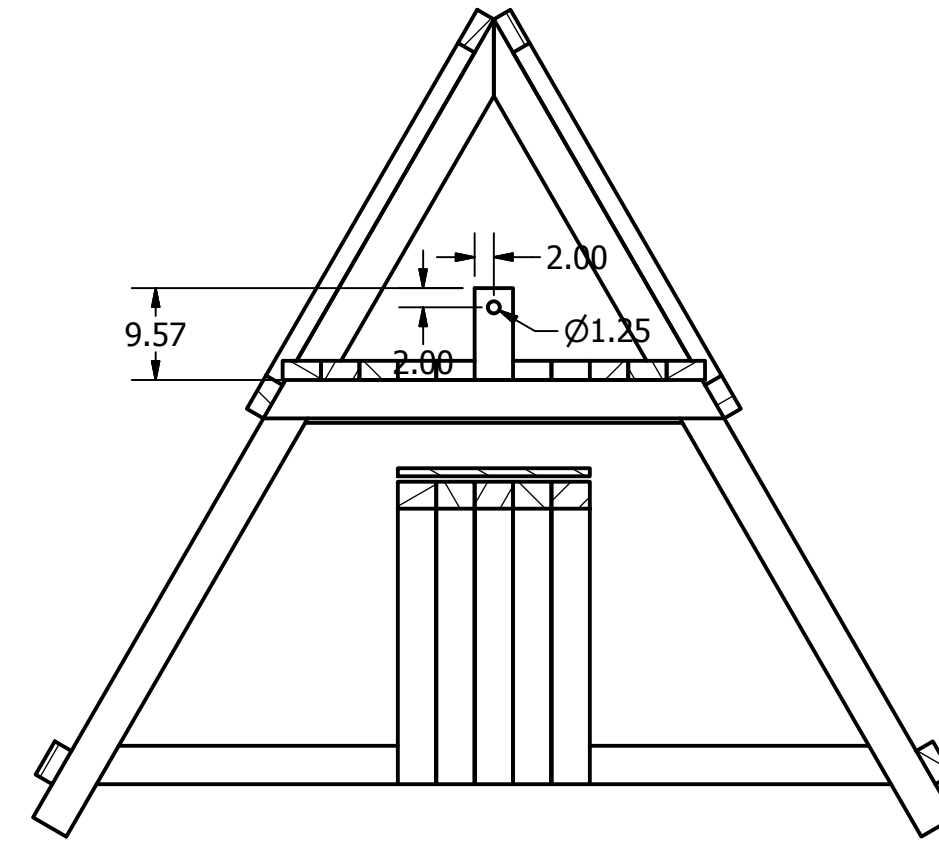
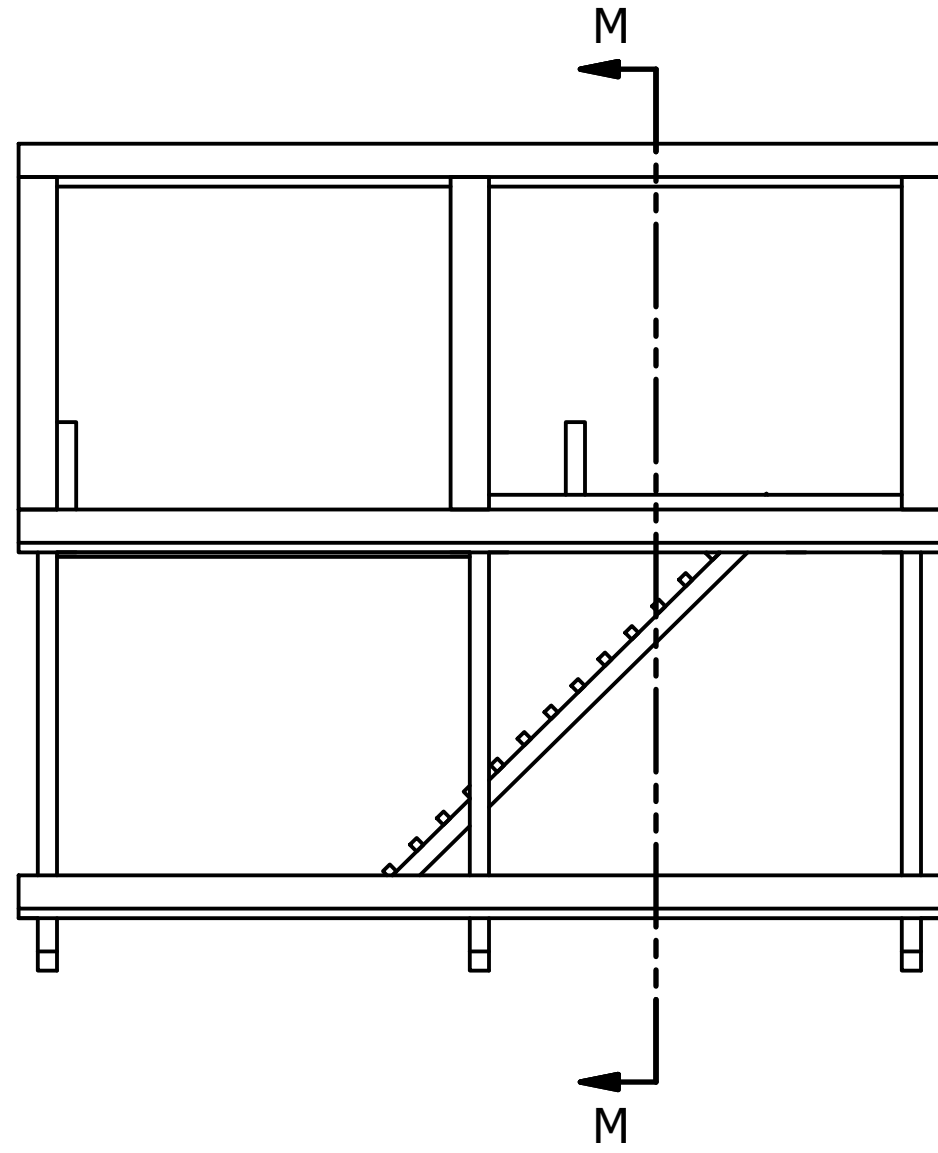
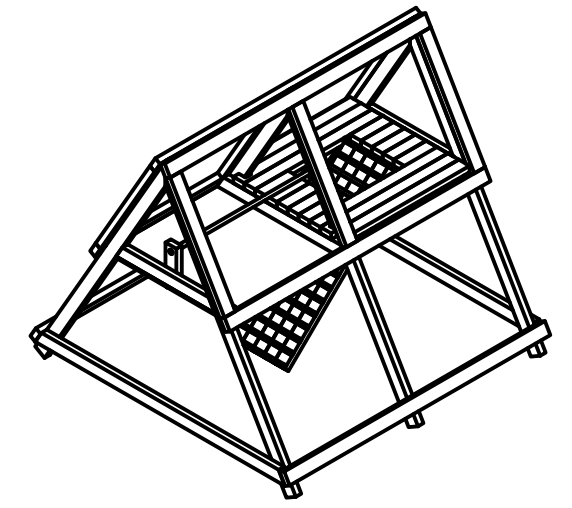
PRODUCED BY AN AUTODESK EDUCATIONAL PRODUCT

Step 11
Roof Spacers

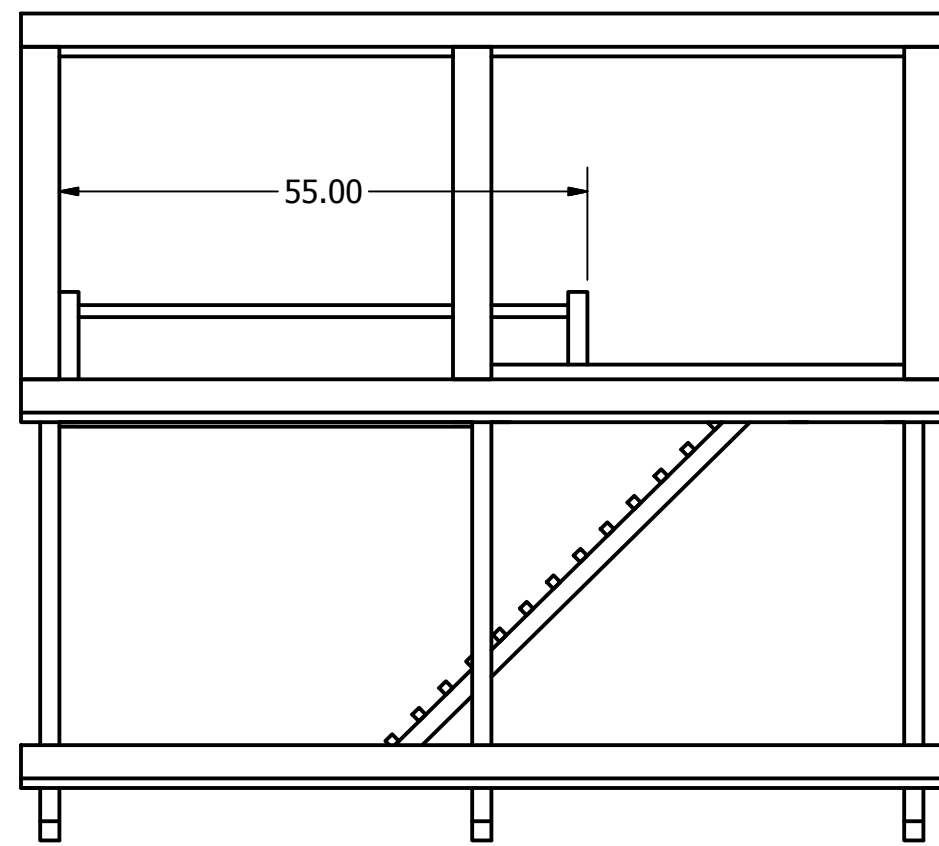


DRAWN Chris Logston	1/5/2012	TITLE Chicken Coop - V2		
CHECKED				
QA				
MFG				
APPROVED		SIZE C	DWG NO Instructions 6	REV
		SCALE	SHEET 16 OF 22	

Step 12
Perch

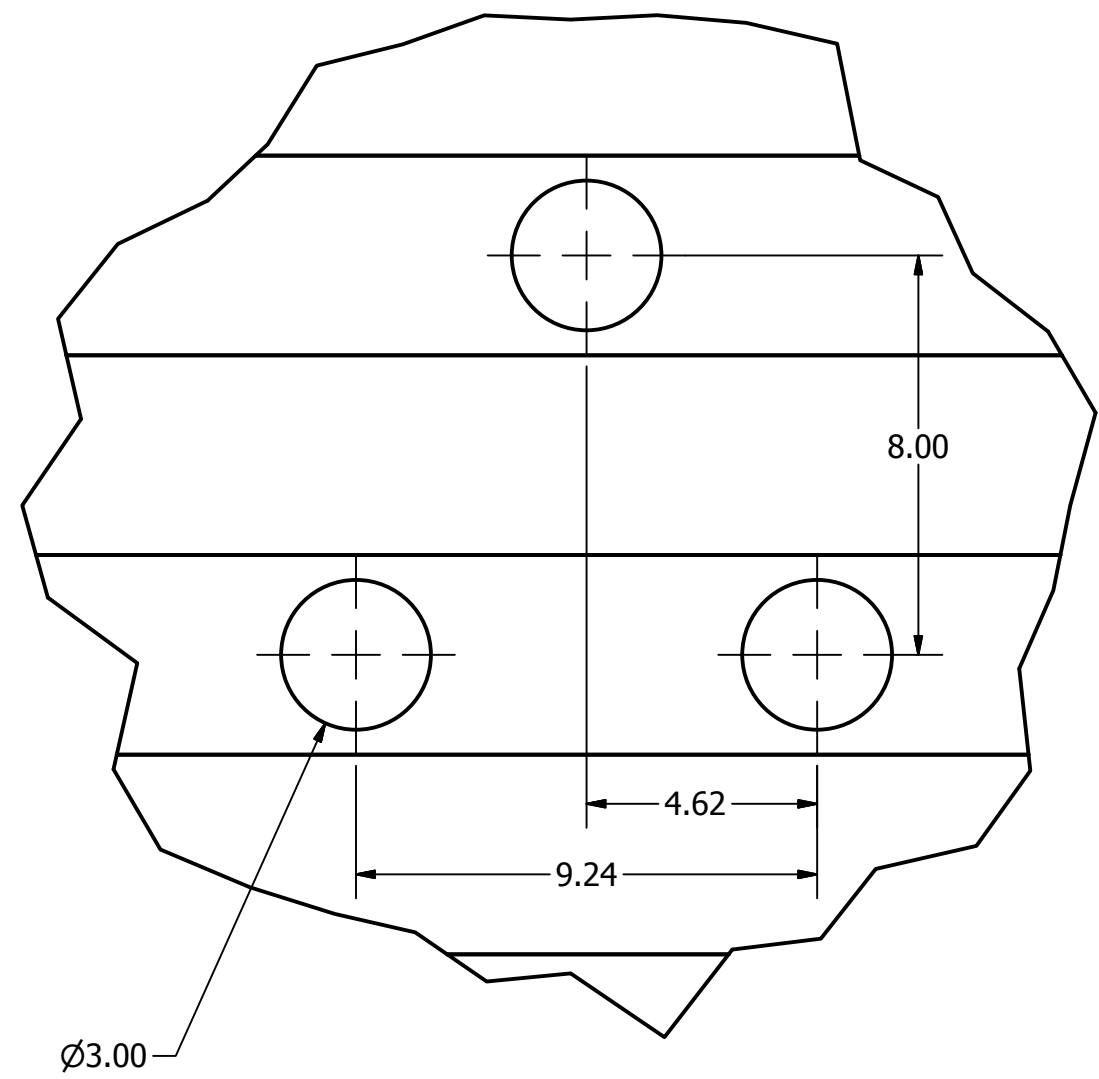
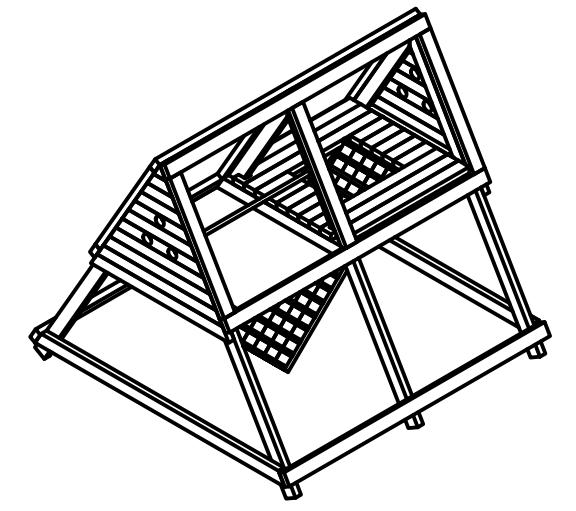


SECTION M-M
SCALE 0.05 : 1

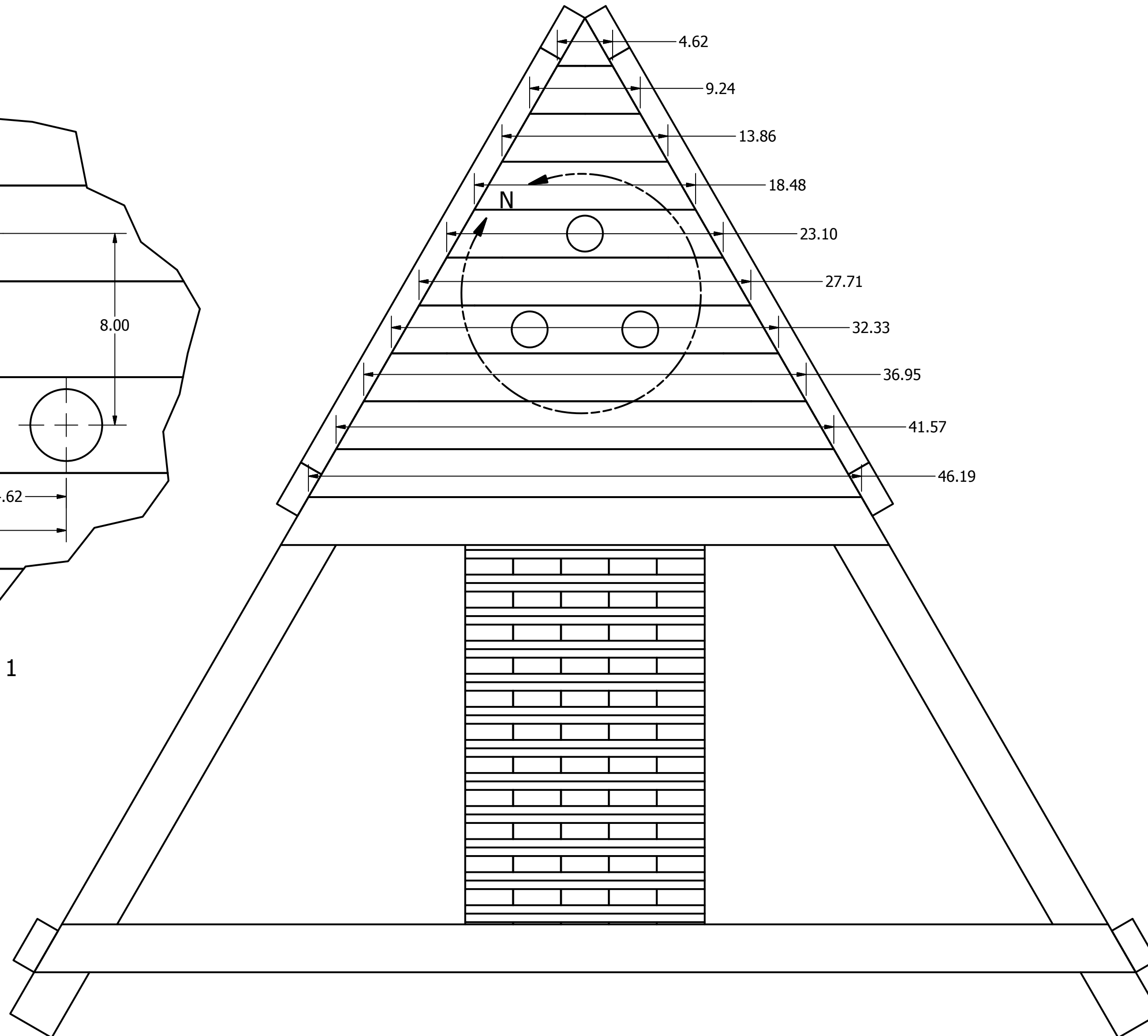


DRAWN Chris Logston	1/5/2012	TITLE		
CHECKED				
QA		Chicken Coop - V2		
MFG				
APPROVED		SIZE C	DWG NO Instructions 6	REV
		SCALE	SHEET 17 OF 22	

Step 13
Siding and Ventilation



DETAIL N
SCALE 0.26 : 1

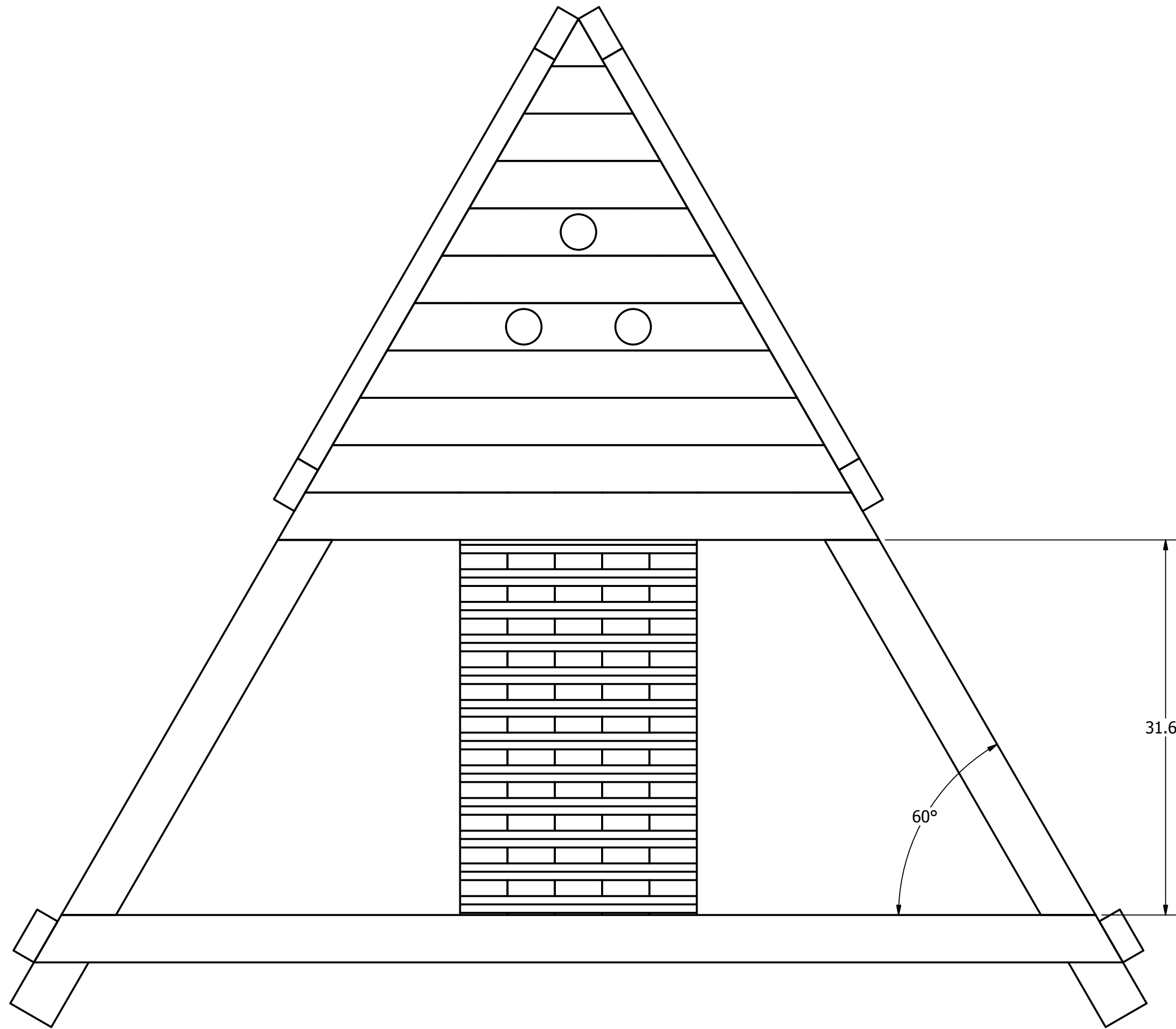
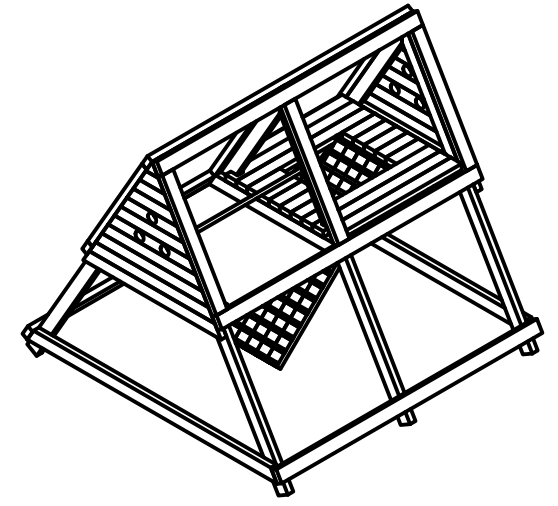


DRAWN Chris Logston	1/5/2012			
CHECKED		TITLE		
QA		Chicken Coop - V2		
MFG		SIZE C	DWG NO Instructions 6	REV
APPROVED		SCALE	SHEET 18 OF 22	

PRODUCED BY AN AUTODESK EDUCATIONAL PRODUCT

PRODUCED BY AN AUTODESK EDUCATIONAL PRODUCT

Step 14
Leg Braces



DRAWN Chris Logston	1/5/2012	TITLE		
CHECKED		Chicken Coop - V2		
QA		SIZE	DWG NO	REV
MFG		C	Instructions 6	
APPROVED		SCALE	SHEET 19 OF 22	

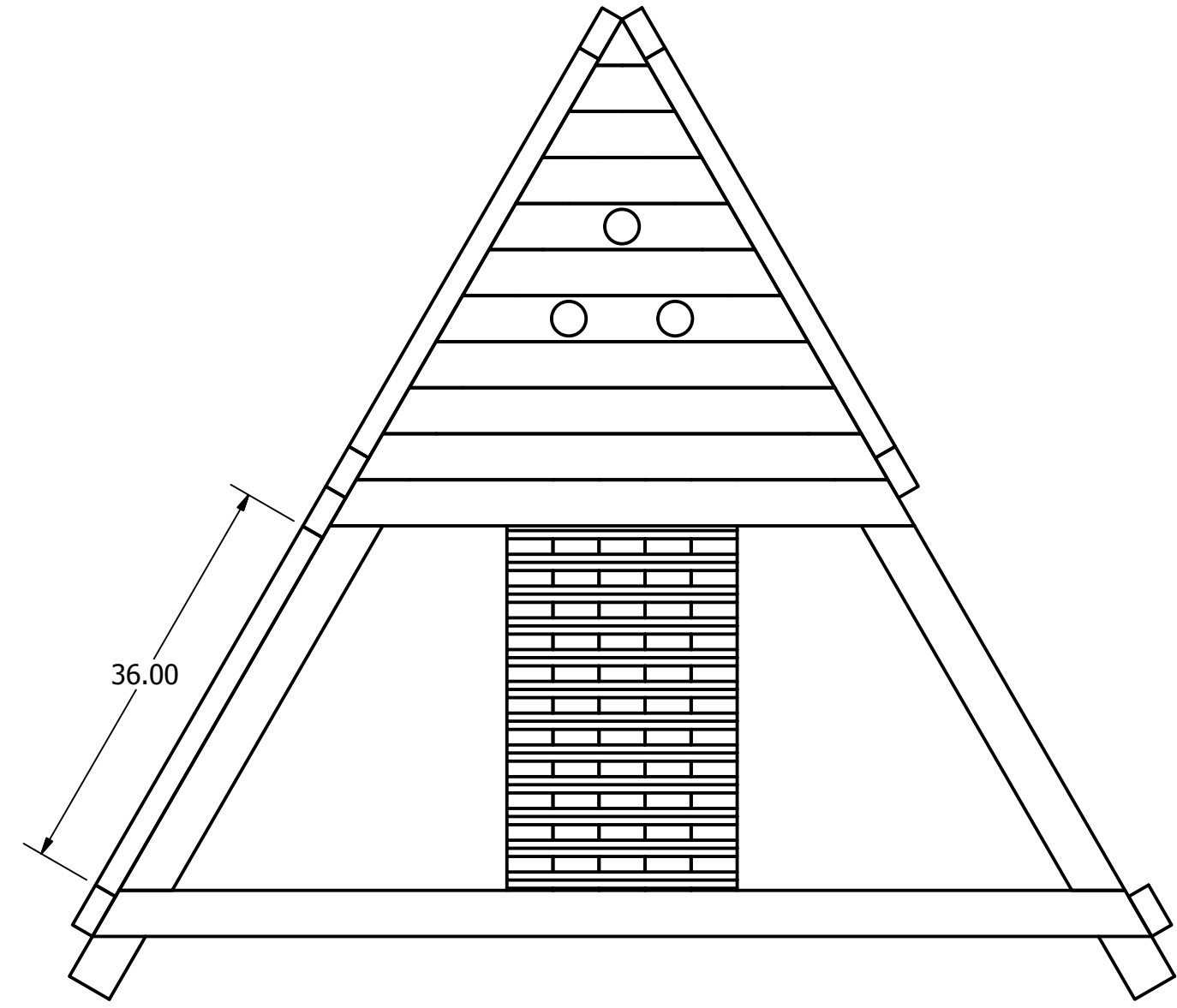
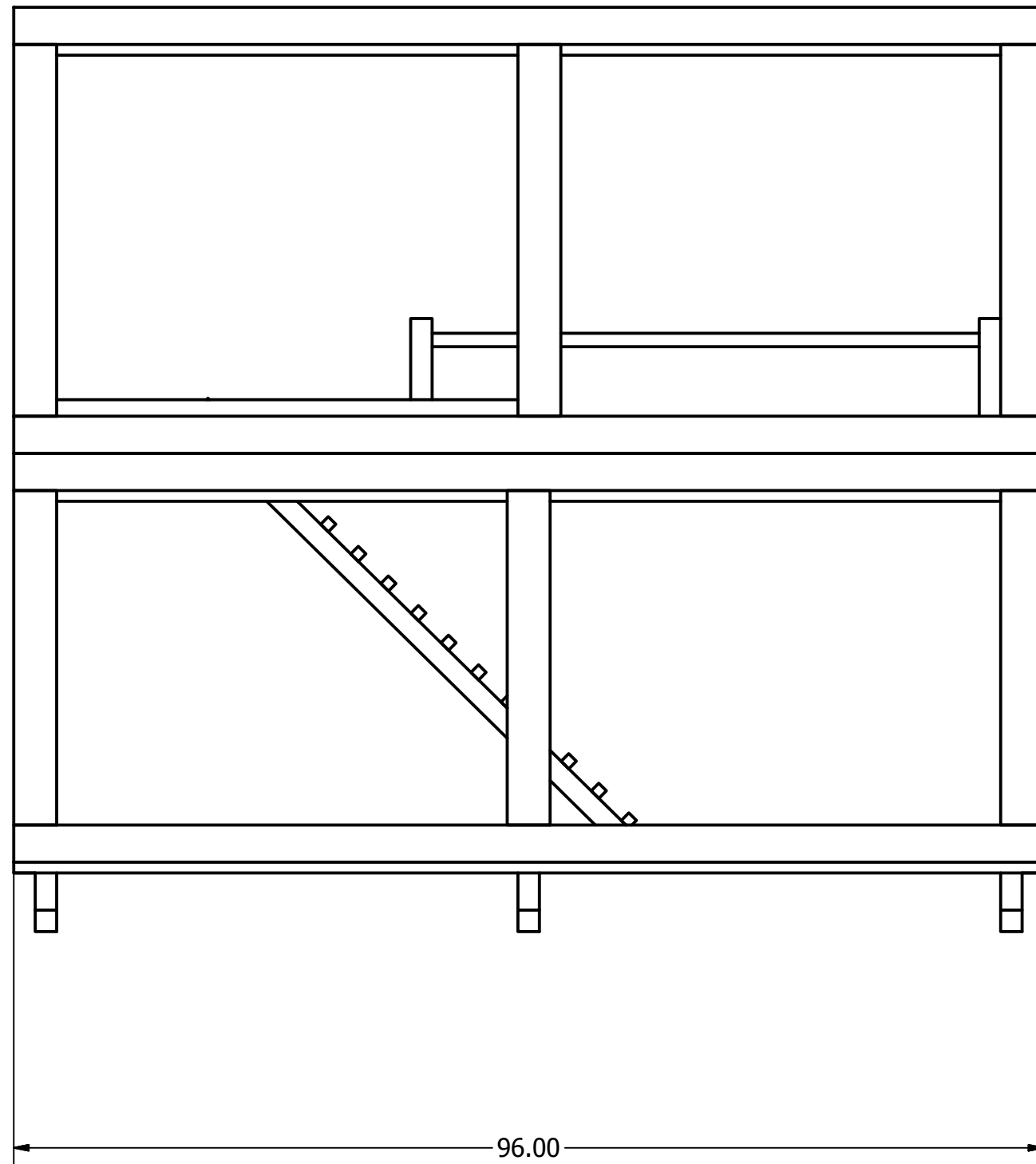
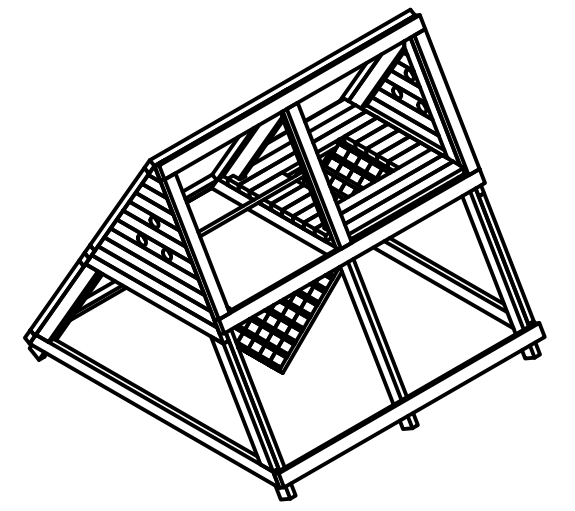
4

3

2

1

Step 15
Leg Spacers



PRODUCED BY AN AUTODESK EDUCATIONAL PRODUCT

PRODUCED BY AN AUTODESK EDUCATIONAL PRODUCT

DRAWN Chris Logston	1/5/2012	TITLE		
CHECKED				
QA		Chicken Coop - V2		
MFG				
APPROVED		SIZE	DWG NO	REV
		C	Instructions 6	
		SCALE	SHEET 20 OF 22	

4

3

2

1

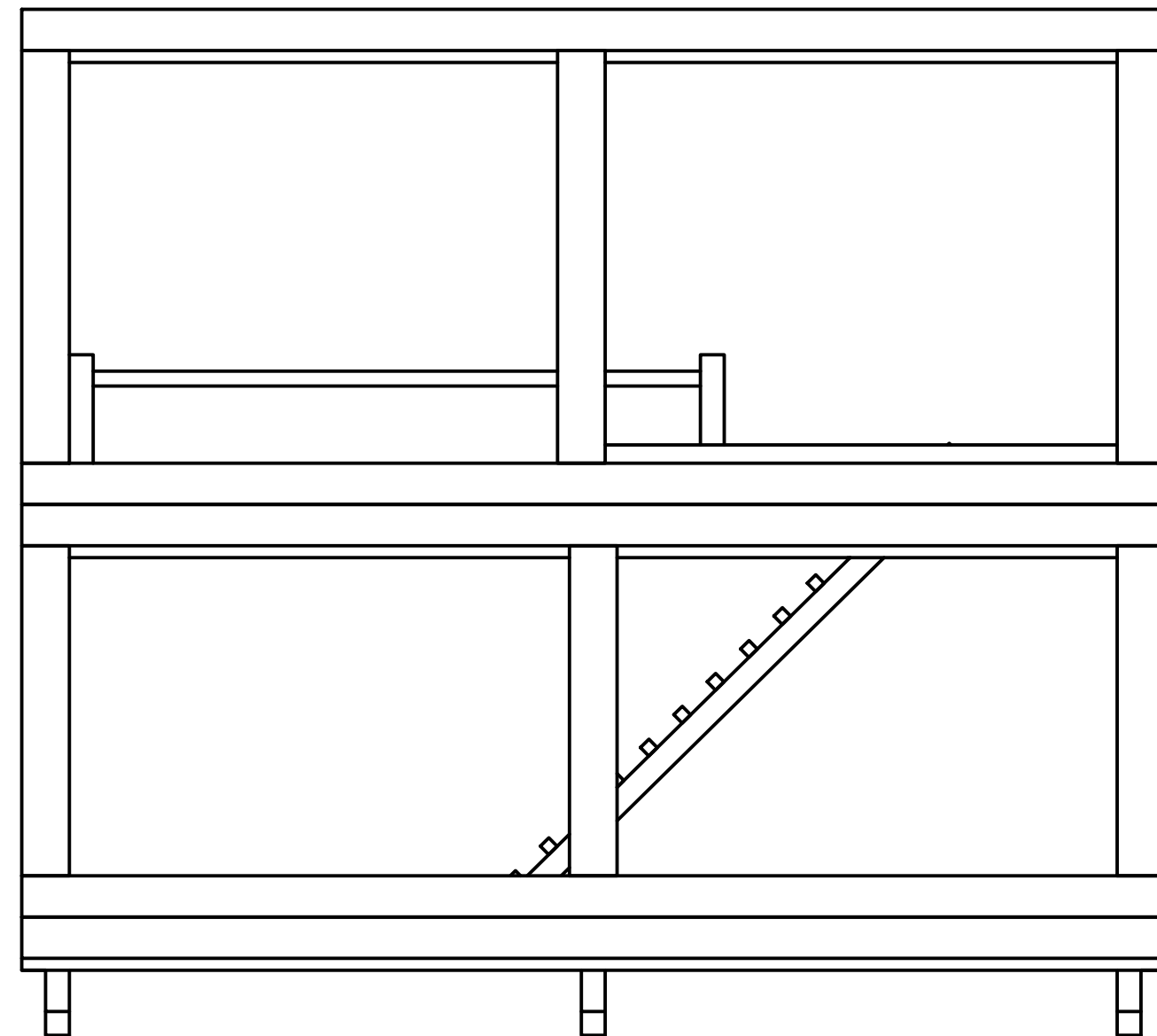
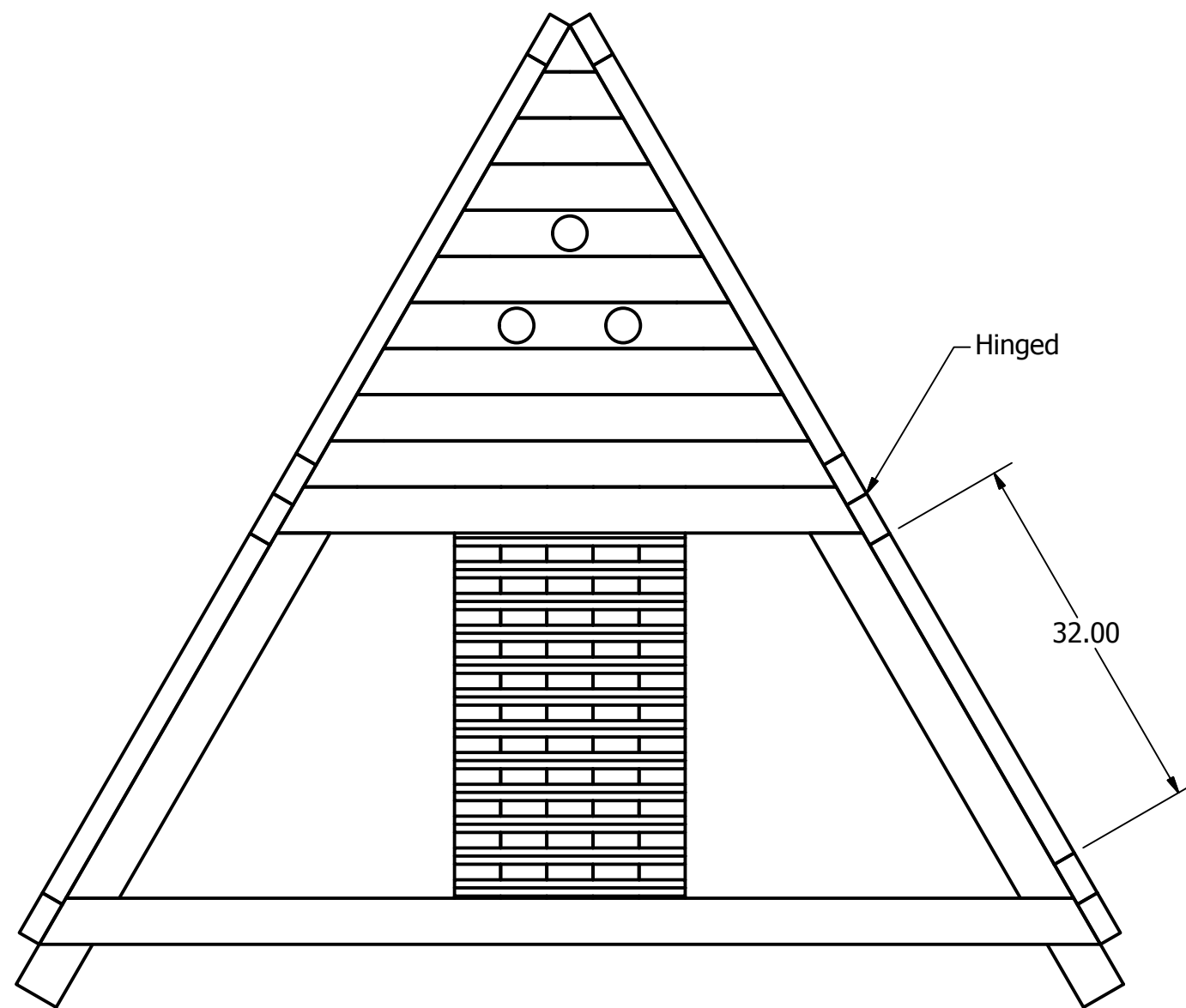
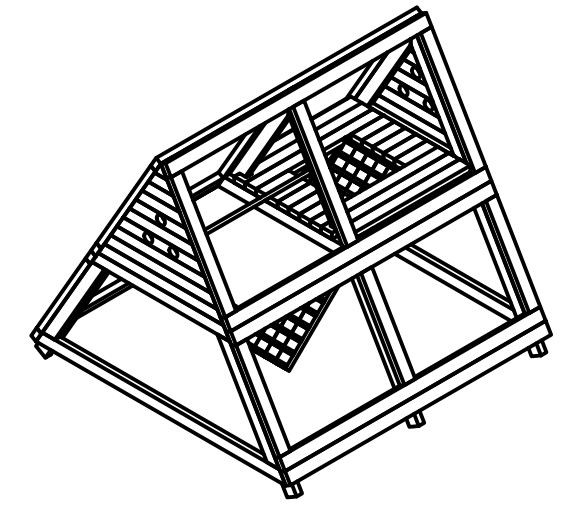
4

3

2

1

Step 16
Run Door Frame

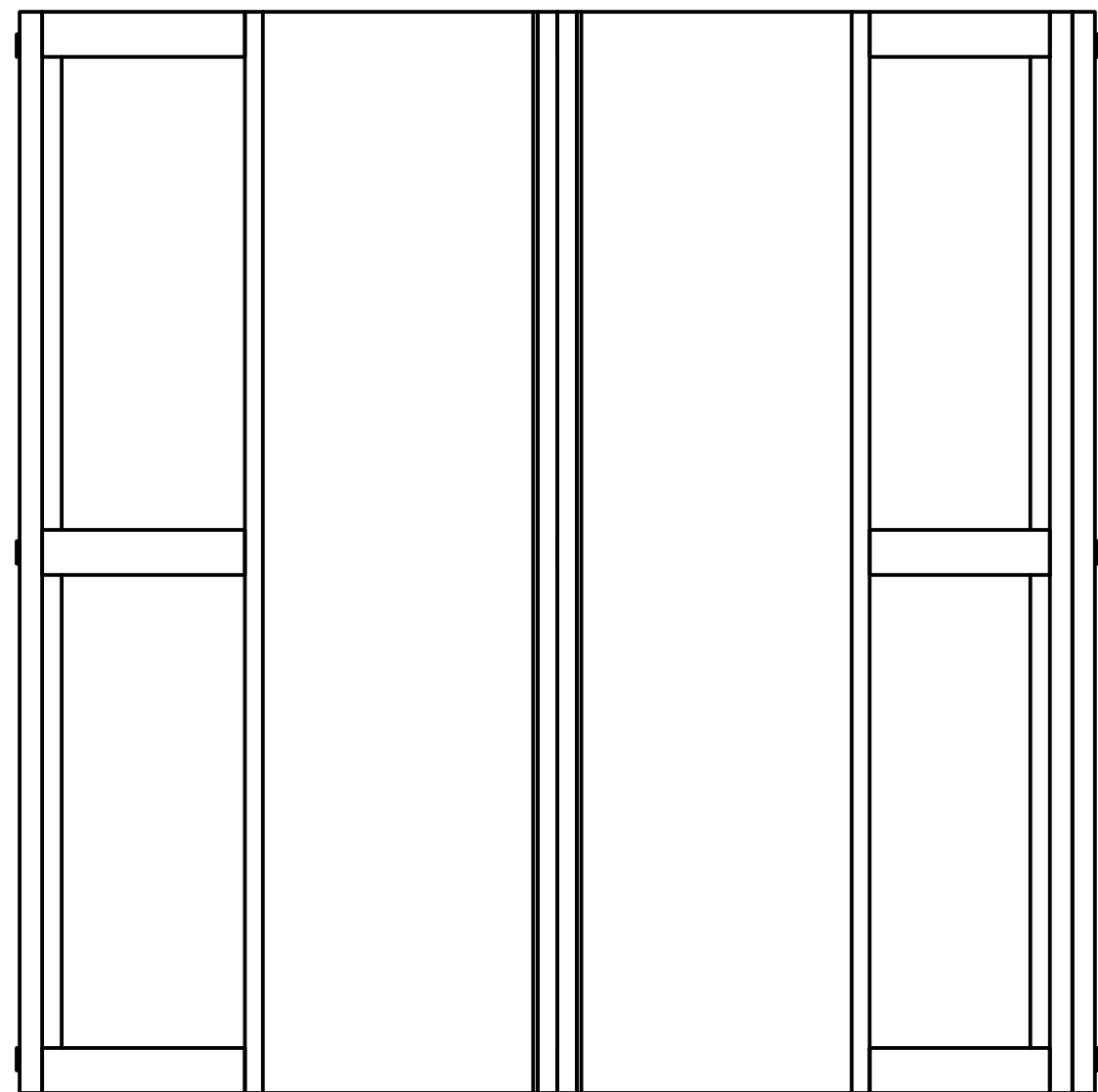
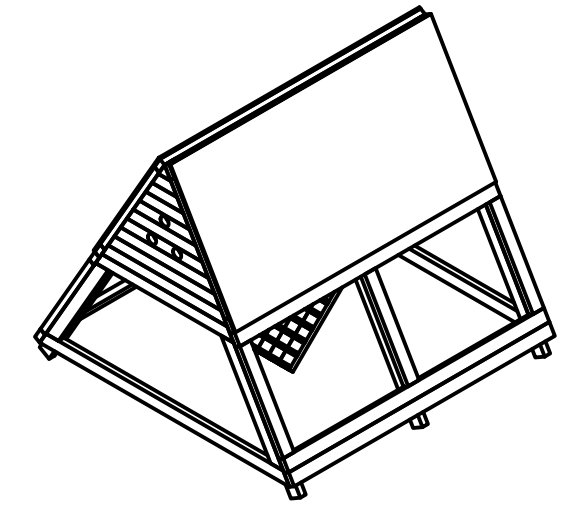
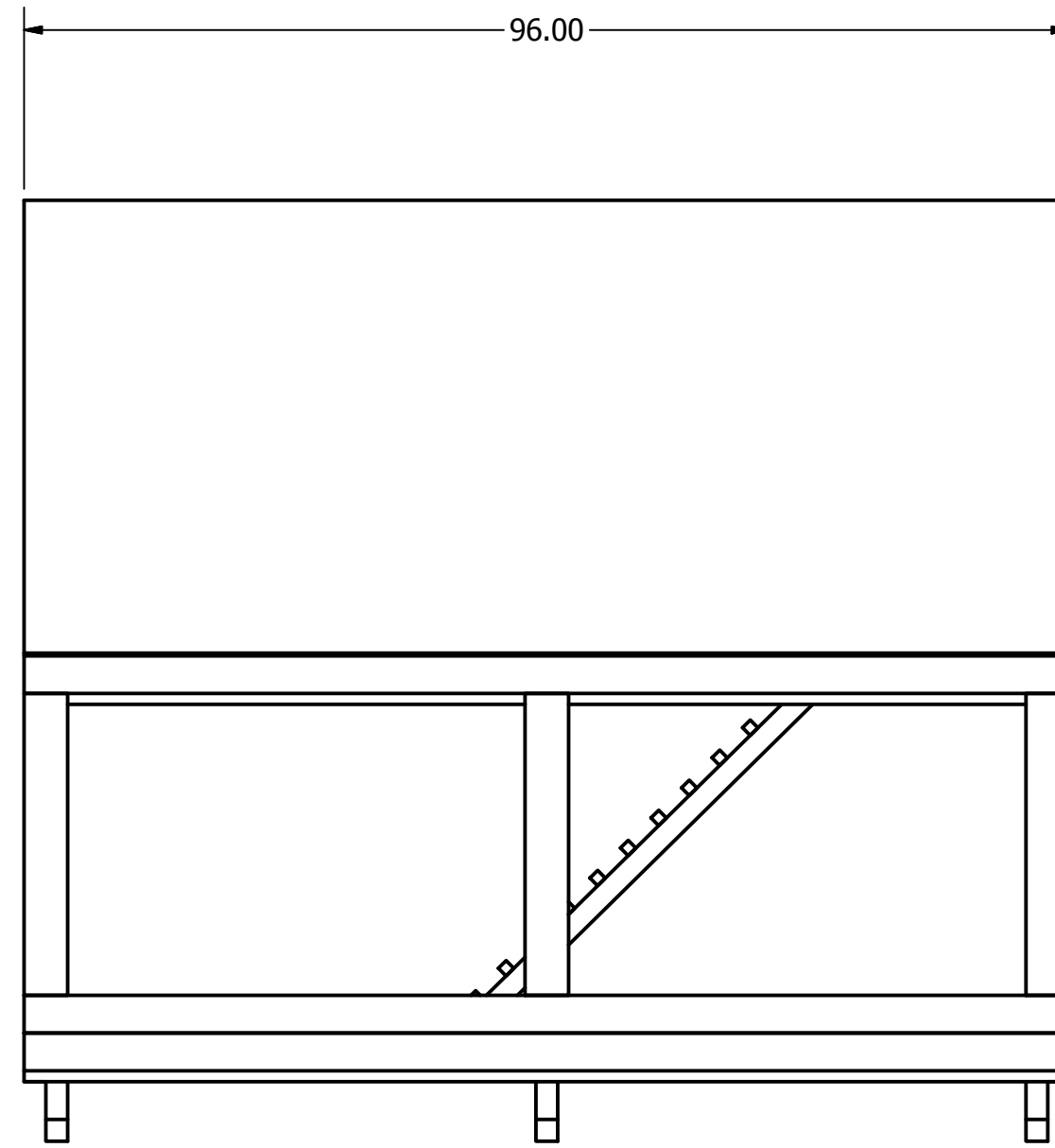
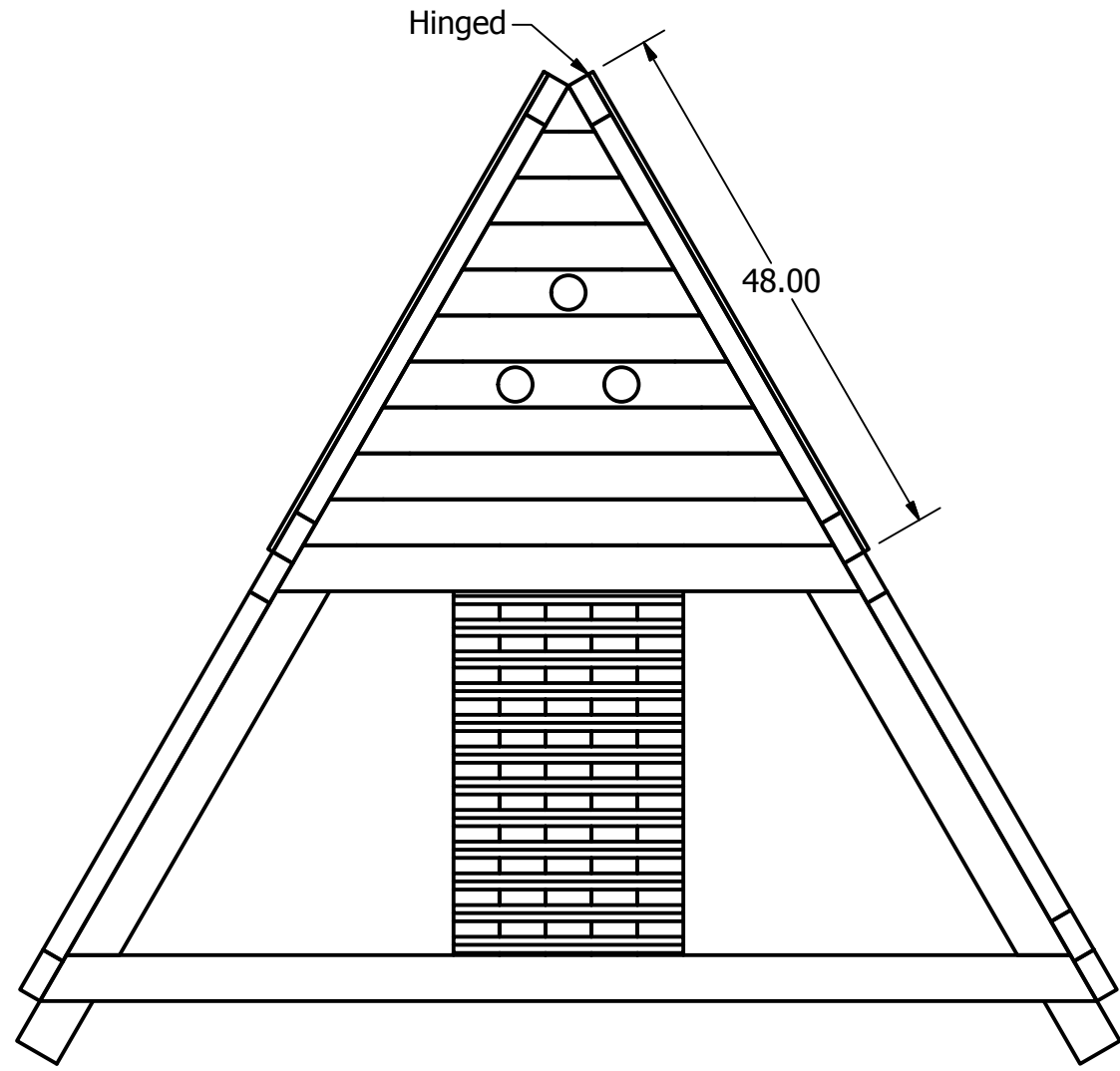


PRODUCED BY AN AUTODESK EDUCATIONAL PRODUCT

PRODUCED BY AN AUTODESK EDUCATIONAL PRODUCT

DRAWN Chris Logston	1/5/2012	TITLE		
CHECKED				
QA		Chicken Coop - V2		
MFG				
APPROVED		SIZE	DWG NO	REV
		C	Instructions 6	
		SCALE	SHEET 21 OF 22	

Step 17
Roof Plates



DRAWN Chris Logston	1/5/2012	TITLE		
CHECKED		Chicken Coop - V2		
QA		SIZE C	DWG NO	REV
MFG		Instructions 6		
APPROVED		SCALE	SHEET 22 OF 22	

PRODUCED BY AN AUTODESK EDUCATIONAL PRODUCT

PRODUCED BY AN AUTODESK EDUCATIONAL PRODUCT