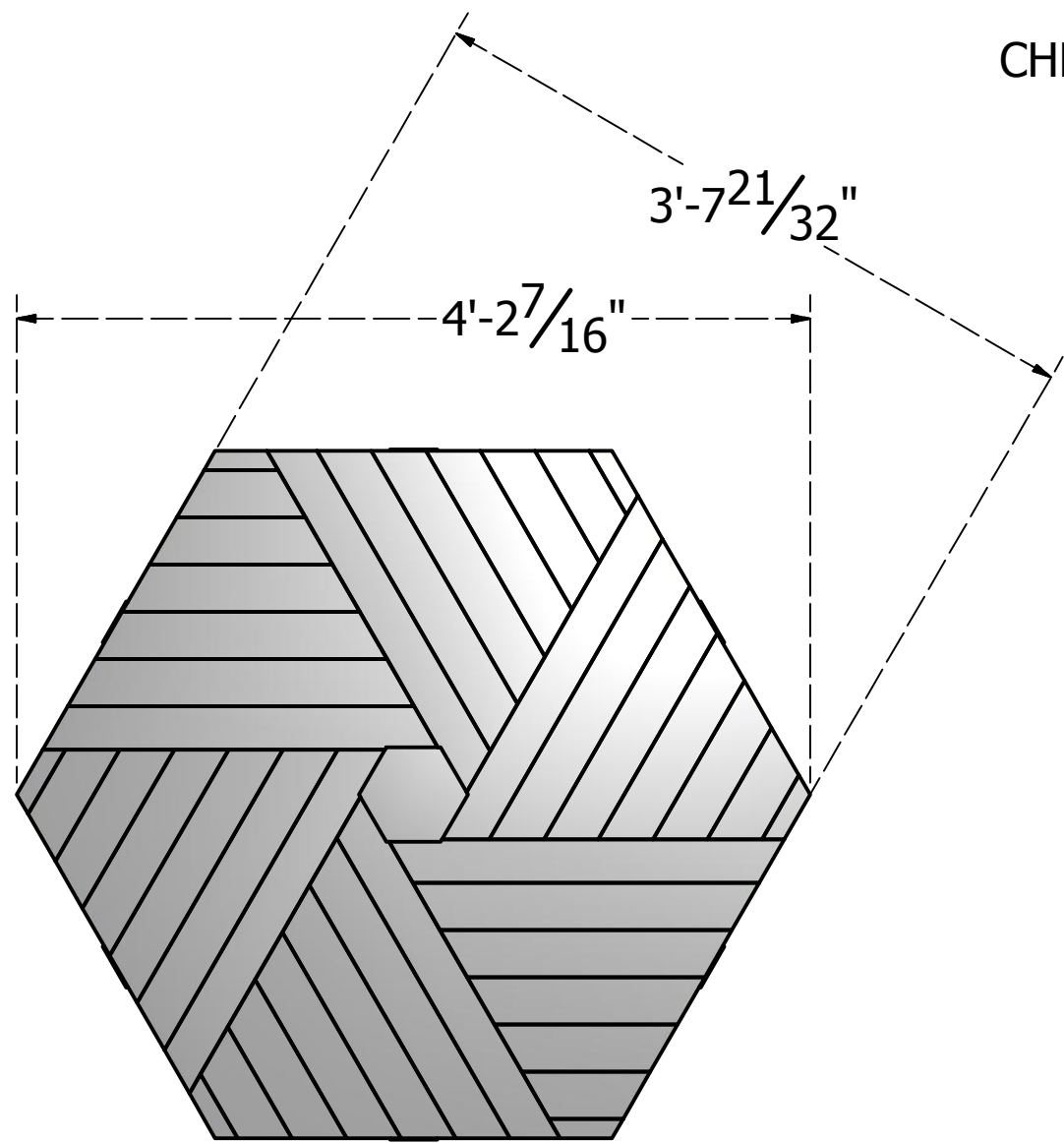
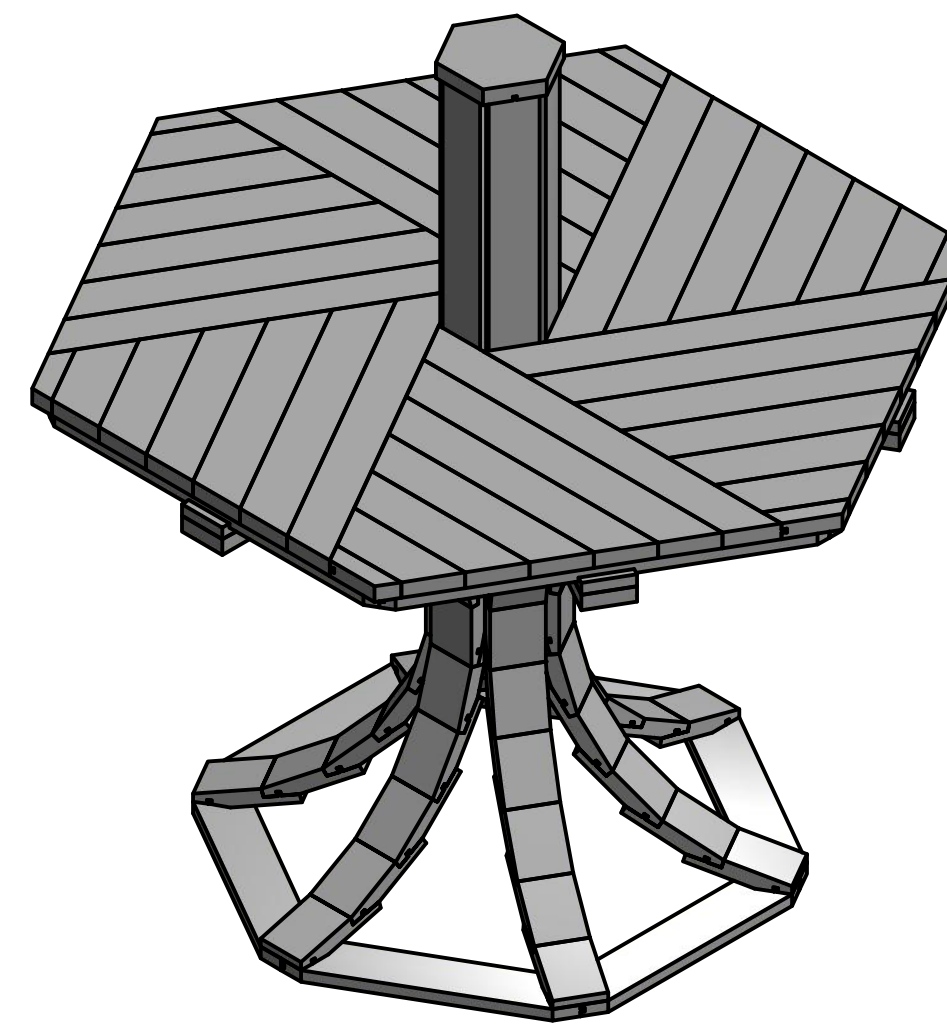


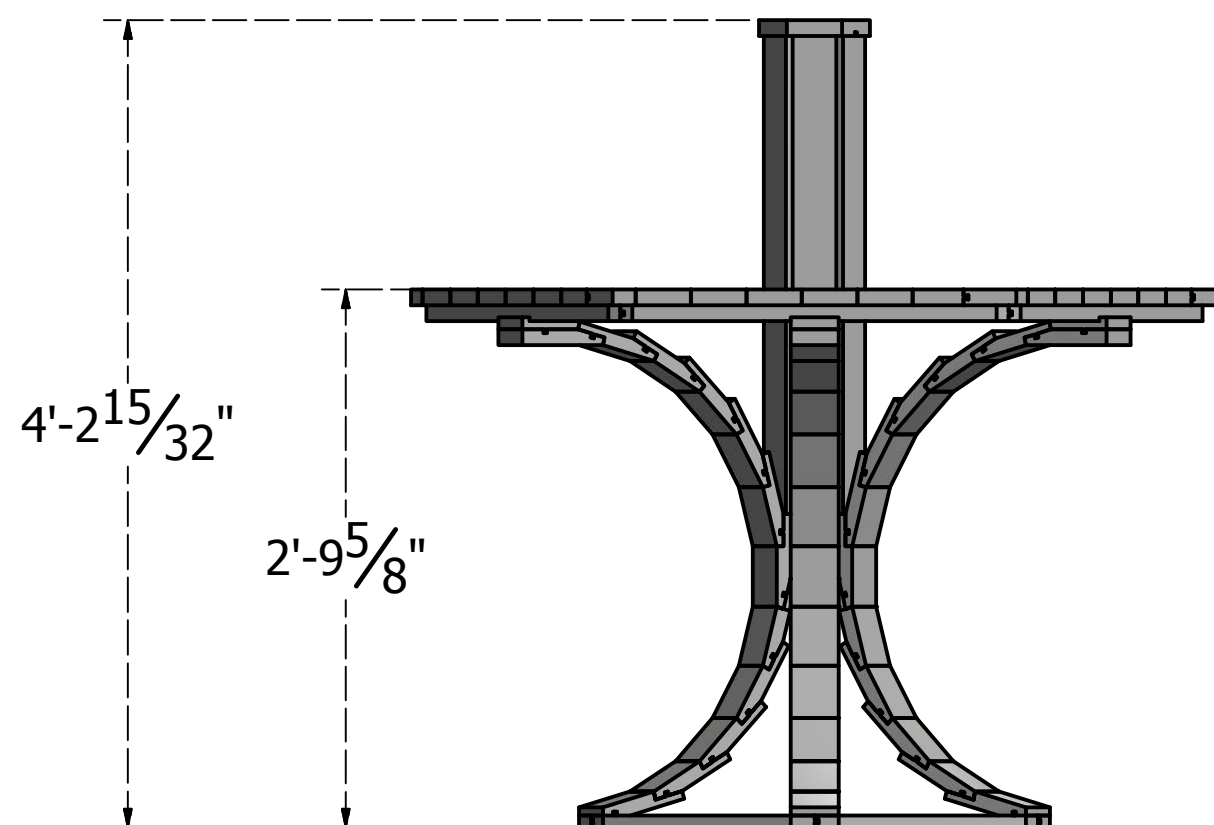
NIGHT STAND
CHRIS ██████████ LOGSTON



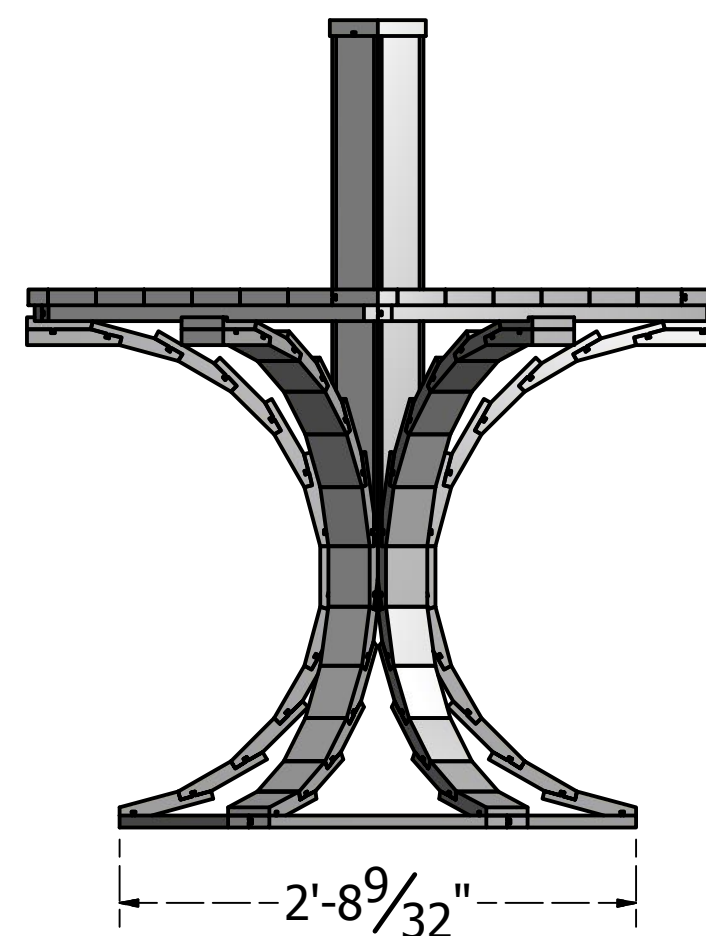
TOP VIEW



ISOMETRIC VIEW



FRONT VIEW



SIDE VIEW

NOTES:
1. ALL DIMENSIONS IN UNITS UNLESS OTHERWISE NOTED

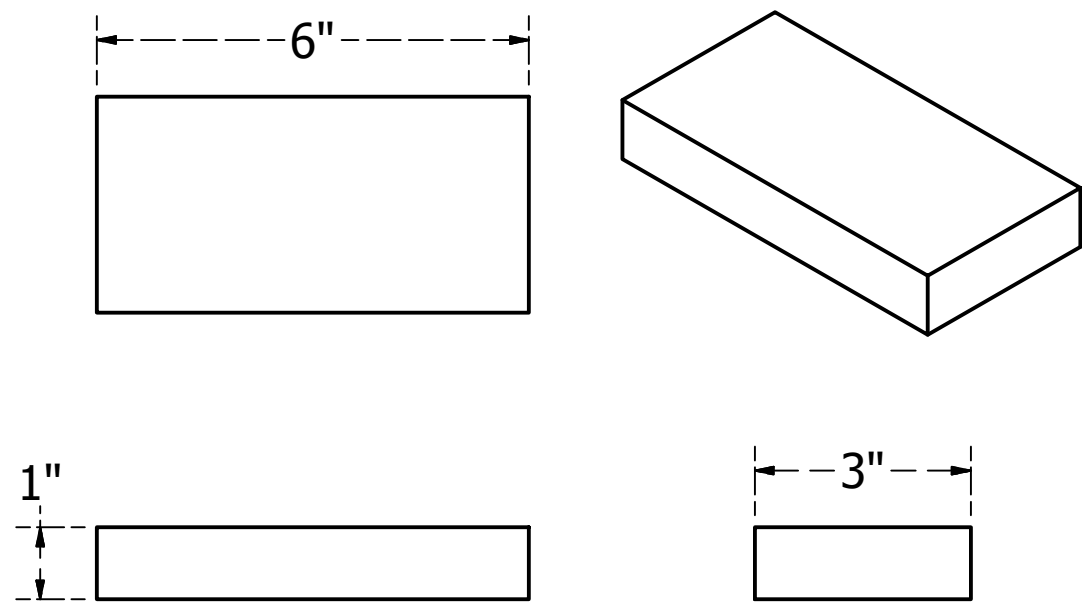
DRAWN	12/9/2012	CHRIS ██████████ LOGSTON		
CHECKED		TITLE		
QA		NIGHT STAND		
MFG		SIZE	DWG NO	REV
APPROVED		C	lamp v4 assembly	
		SCALE	SHEET 1 OF 27	

PRODUCED BY AN AUTODESK EDUCATIONAL PRODUCT

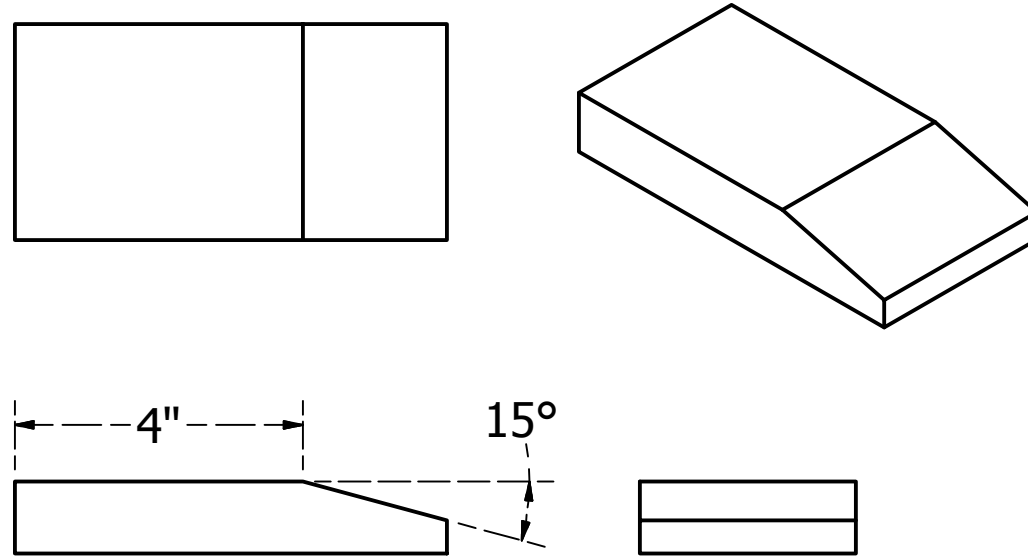
PRODUCED BY AN AUTODESK EDUCATIONAL PRODUCT

NIGHT STAND
PIECE A
MAKE 60

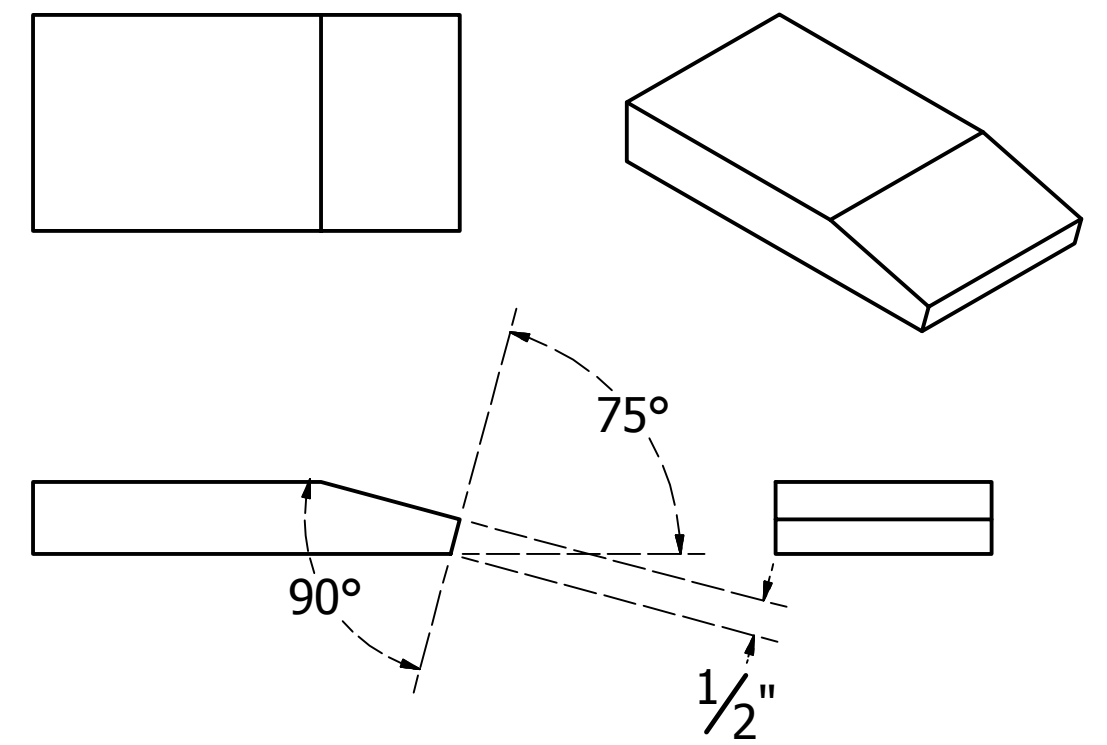
RAW PIECE



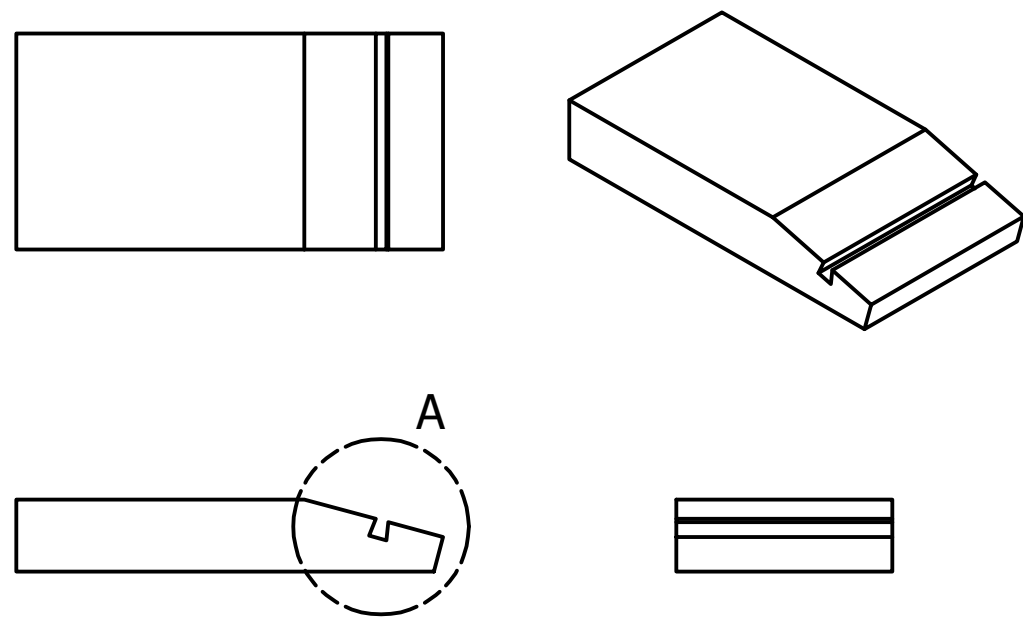
CUT 1
15° ANGLE



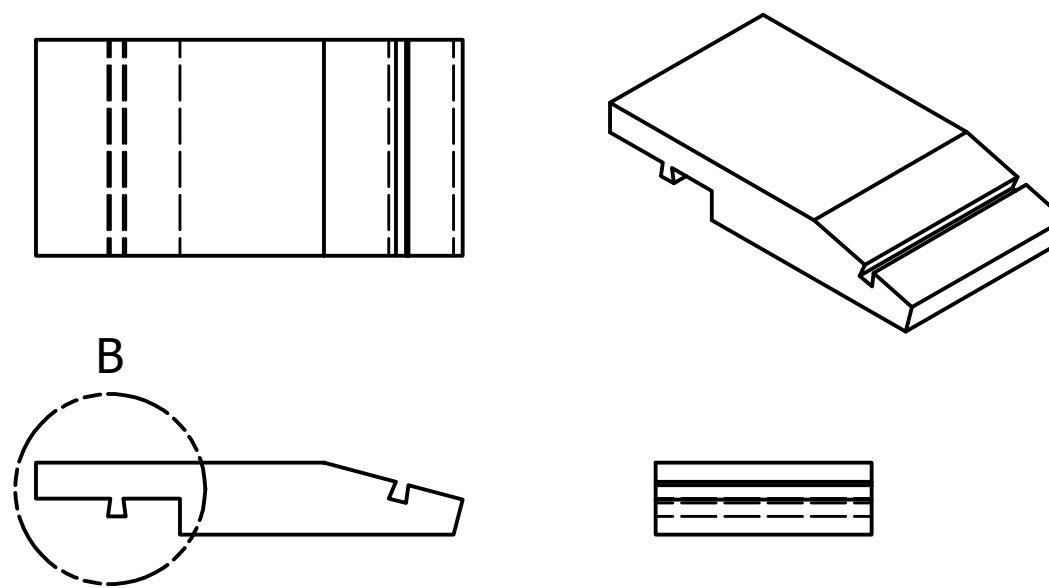
CUT 2
PERPENDICULAR TO CUT 1



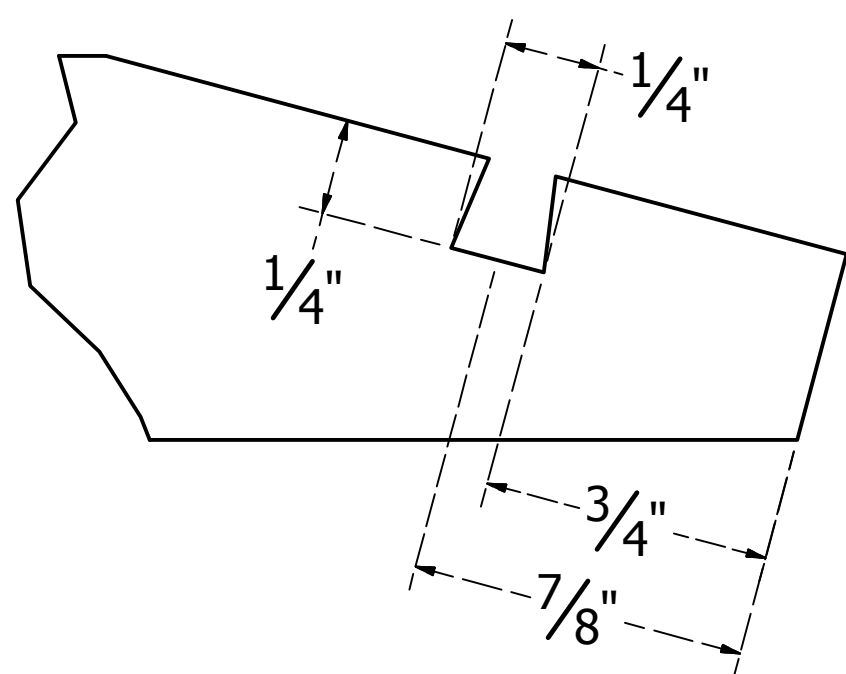
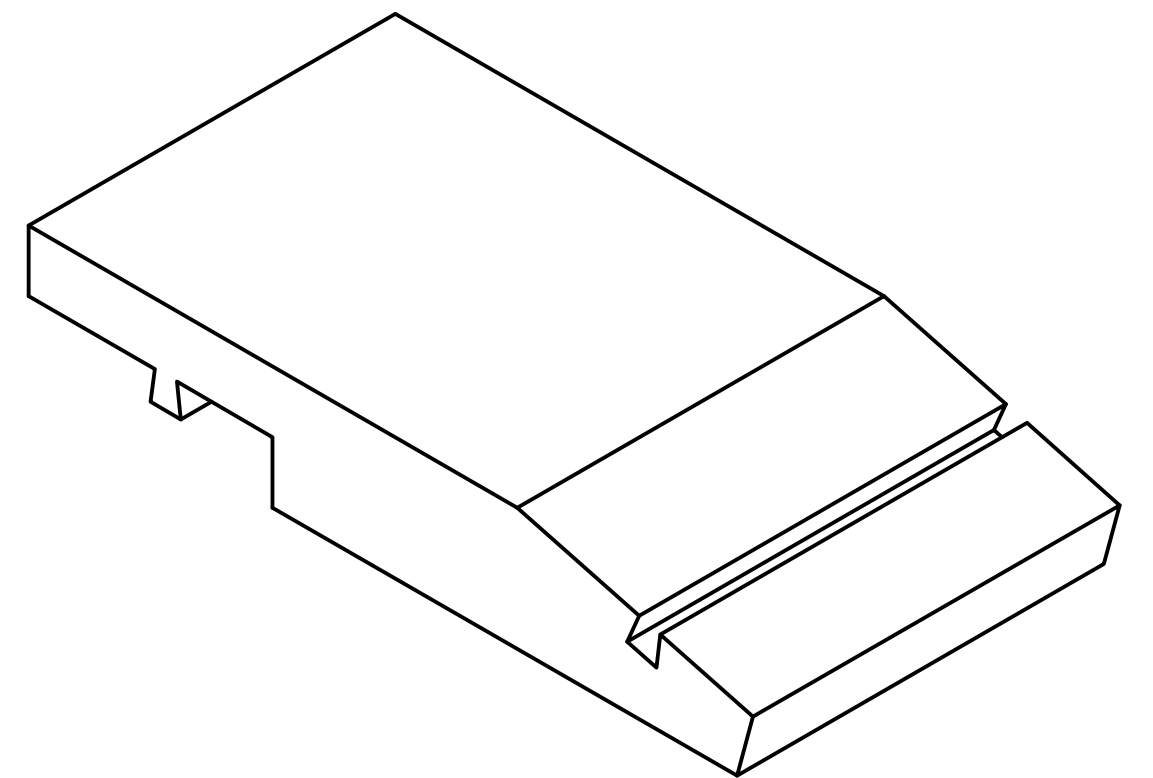
CUT 3
FEMALE JOINT ROUTE



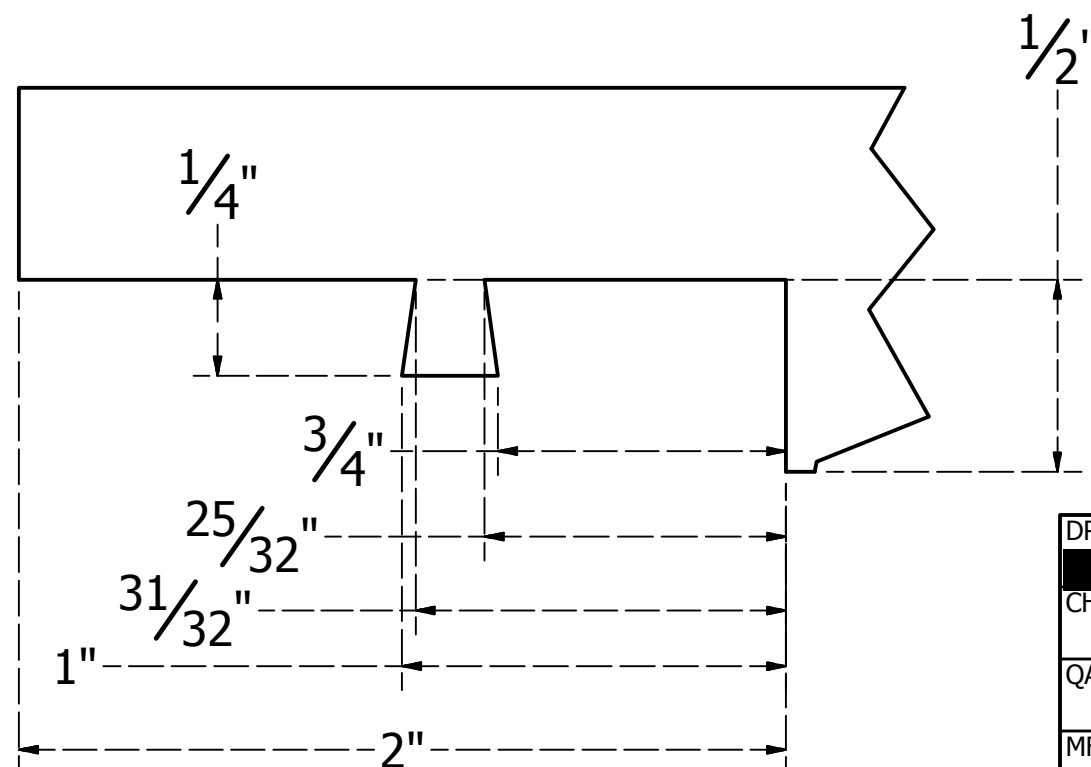
CUT 4
MALE JOINT ROUTE



COMPLETED PIECE A
MAKE 60



DETAIL A
ROUTE DETAIL



DETAIL B
ROUTE DETAIL

NOTES:

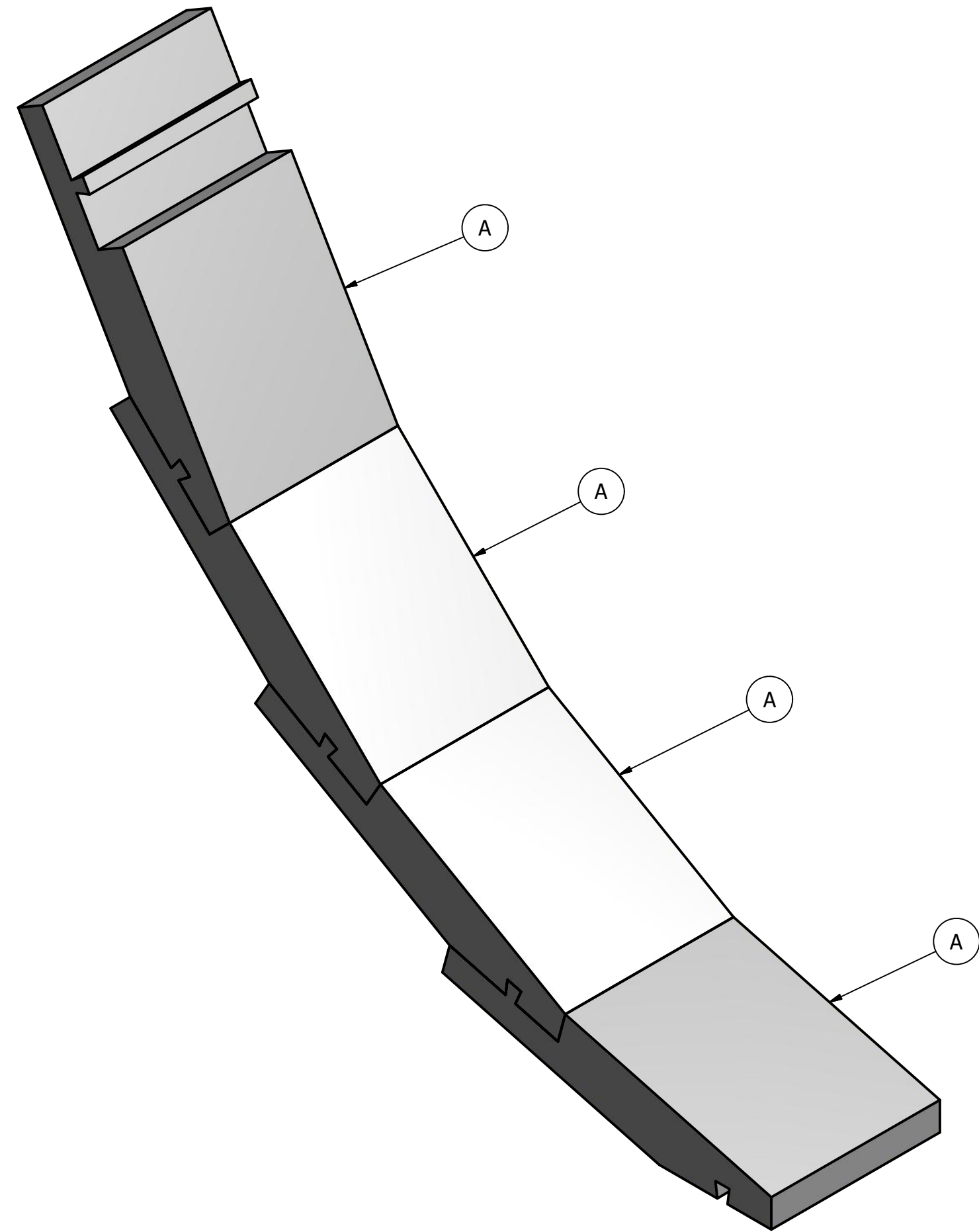
2. ALL ROUTES DESIGNED FOR $\phi 1/4"$, 8° BIT WITH 1/4" CUTTING DEPTH

DRAWN	12/9/2012	CHRIS LOGSTON	
CHECKED		TITLE	
QA		NIGHT STAND	
MFG		SIZE	DWG NO
APPROVED		C	lamp v4 assembly
		SCALE	REV
			SHEET 2 OF 27

PRODUCED BY AN AUTODESK EDUCATIONAL PRODUCT

PRODUCED BY AN AUTODESK EDUCATIONAL PRODUCT

NIGHT STAND
ASSEMBLY STEP 1
(JOIN 4 A-PIECES)

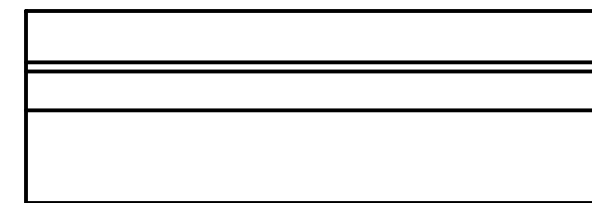
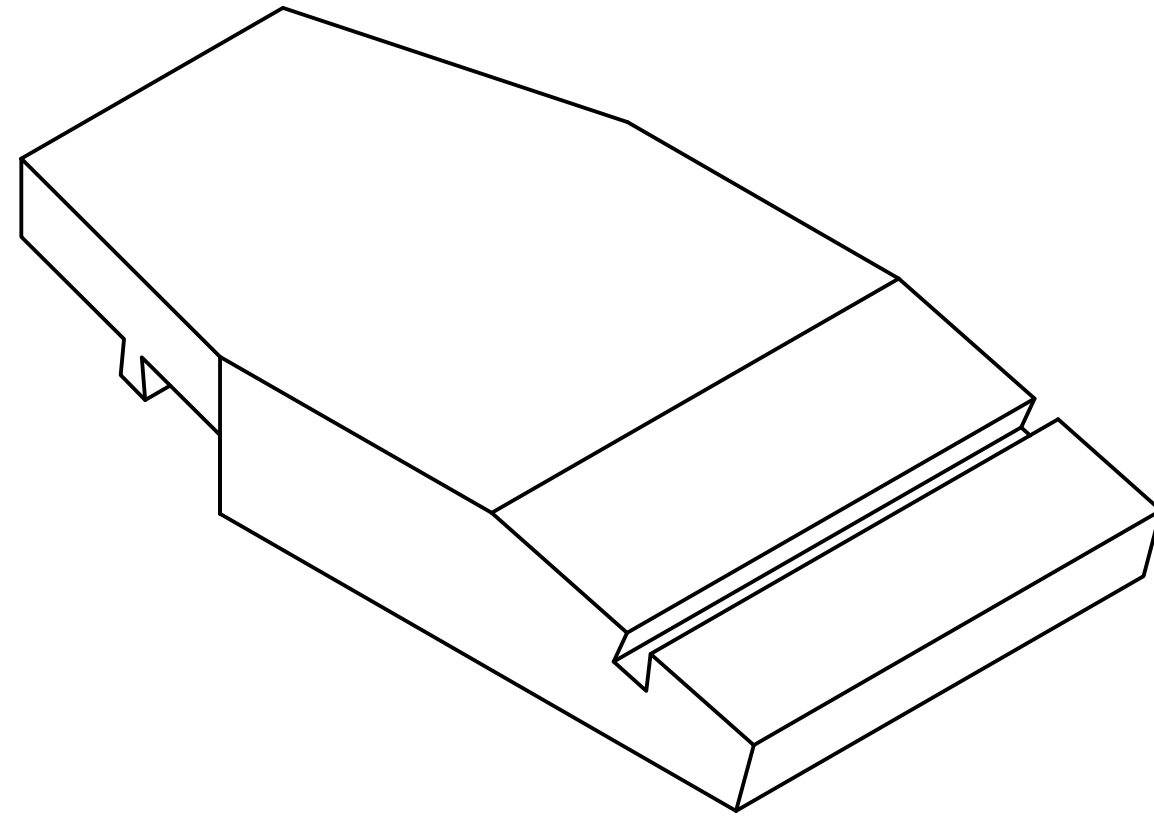
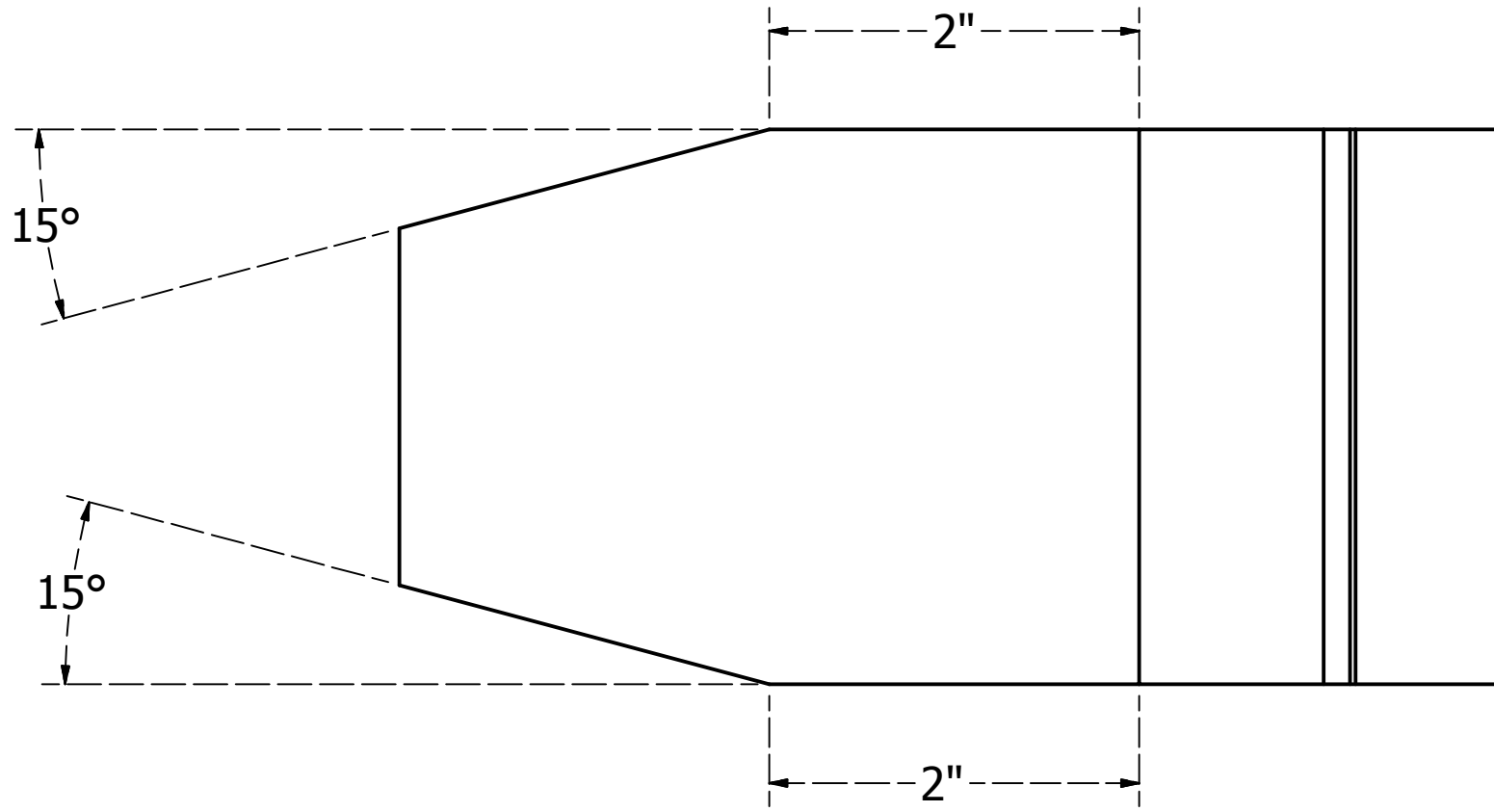


PRODUCED BY AN AUTODESK EDUCATIONAL PRODUCT

PRODUCED BY AN AUTODESK EDUCATIONAL PRODUCT

DRAWN	12/9/2012	CHRIS ██████████ LOGSTON		
CHECKED		TITLE		
QA		NIGHT STAND		
MFG		SIZE	DWG NO	REV
APPROVED		C	lamp v4 assembly	
		SCALE	SHEET 3 OF 27	

NIGHT STAND
PIECE B
(ANGLE CUT PIECE A)
MAKE 6

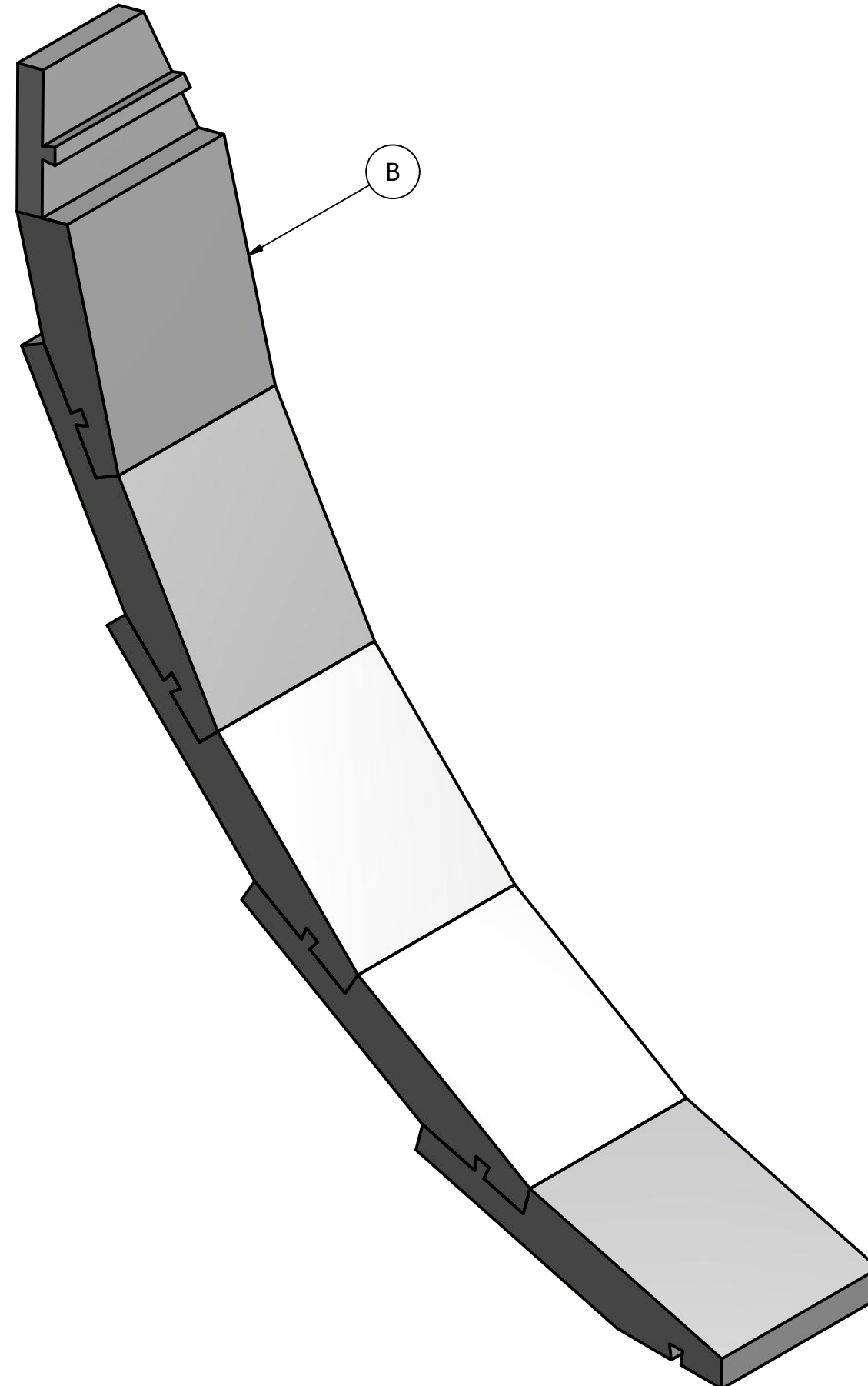


DRAWN	12/9/2012	CHRIS ██████████ LOGSTON		
CHECKED		TITLE		
QA		NIGHT STAND		
MFG		SIZE	DWG NO	REV
APPROVED		C	lamp v4 assembly	
		SCALE	SHEET 4 OF 27	

PRODUCED BY AN AUTODESK EDUCATIONAL PRODUCT

PRODUCED BY AN AUTODESK EDUCATIONAL PRODUCT

NIGHT STAND
ASSEMBLY STEP 2
(JOIN PIECE B TO PREVIOUS ASSEMBLY)

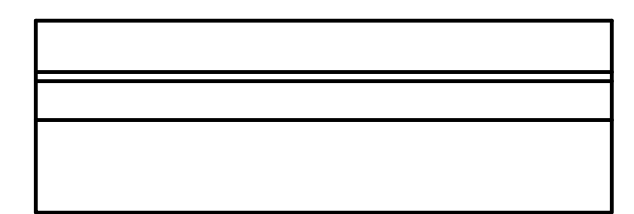
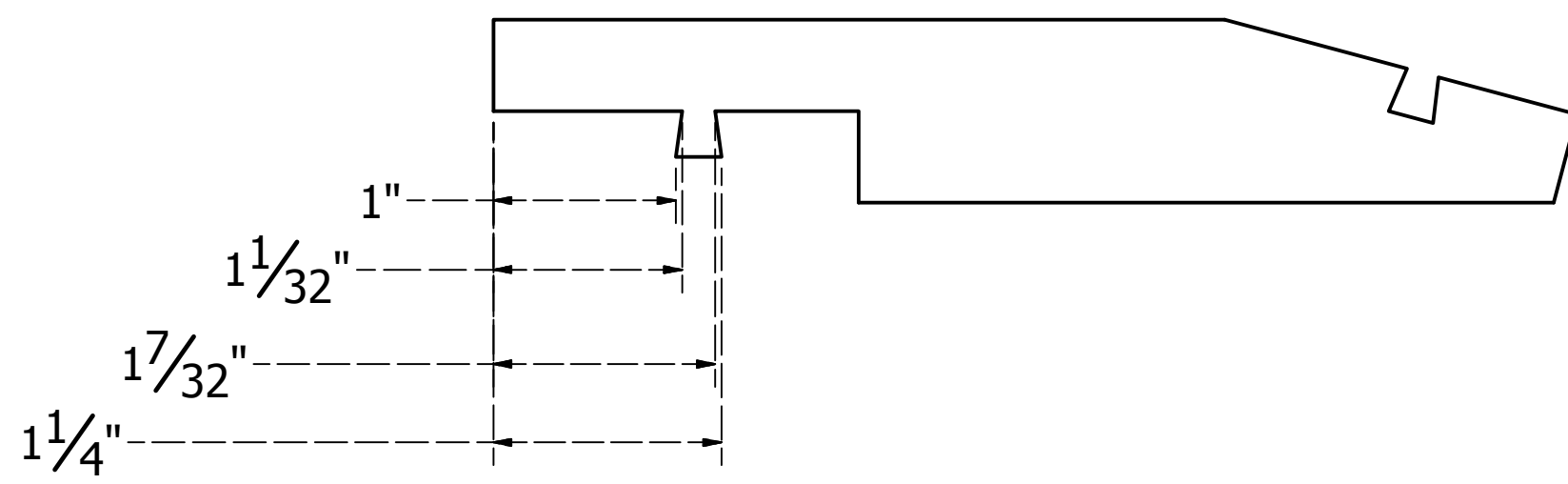
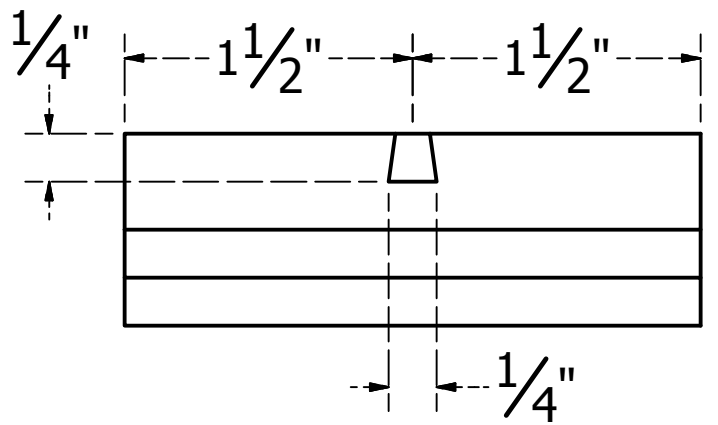
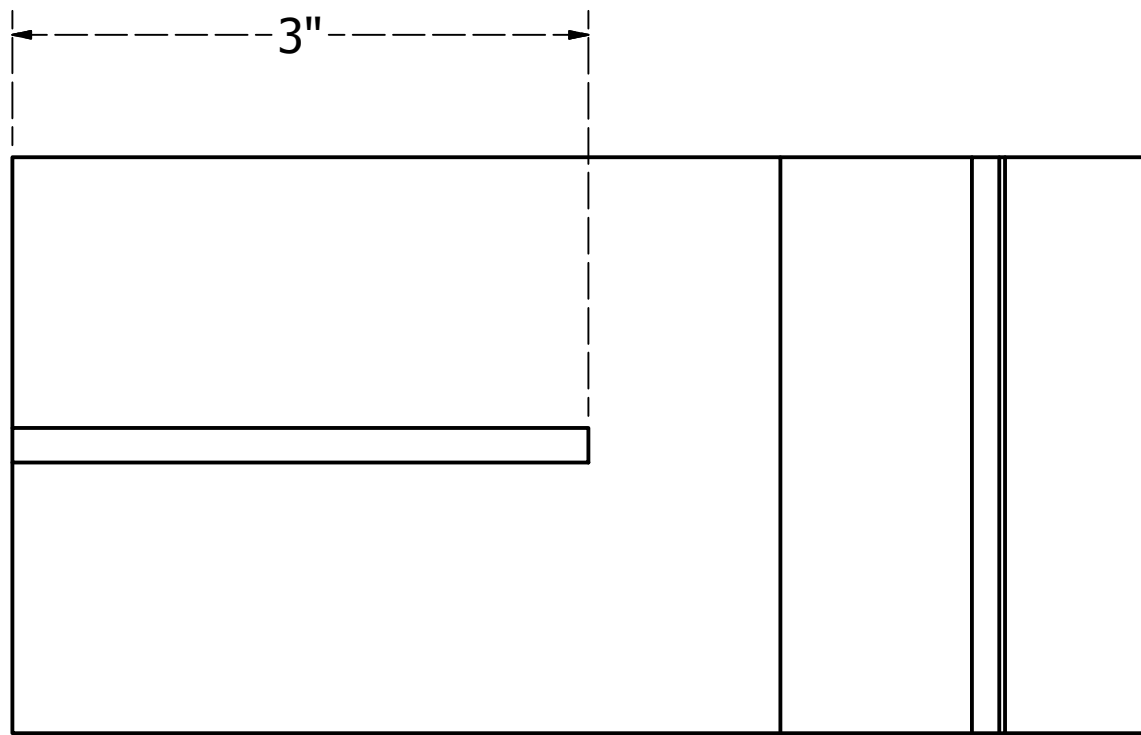
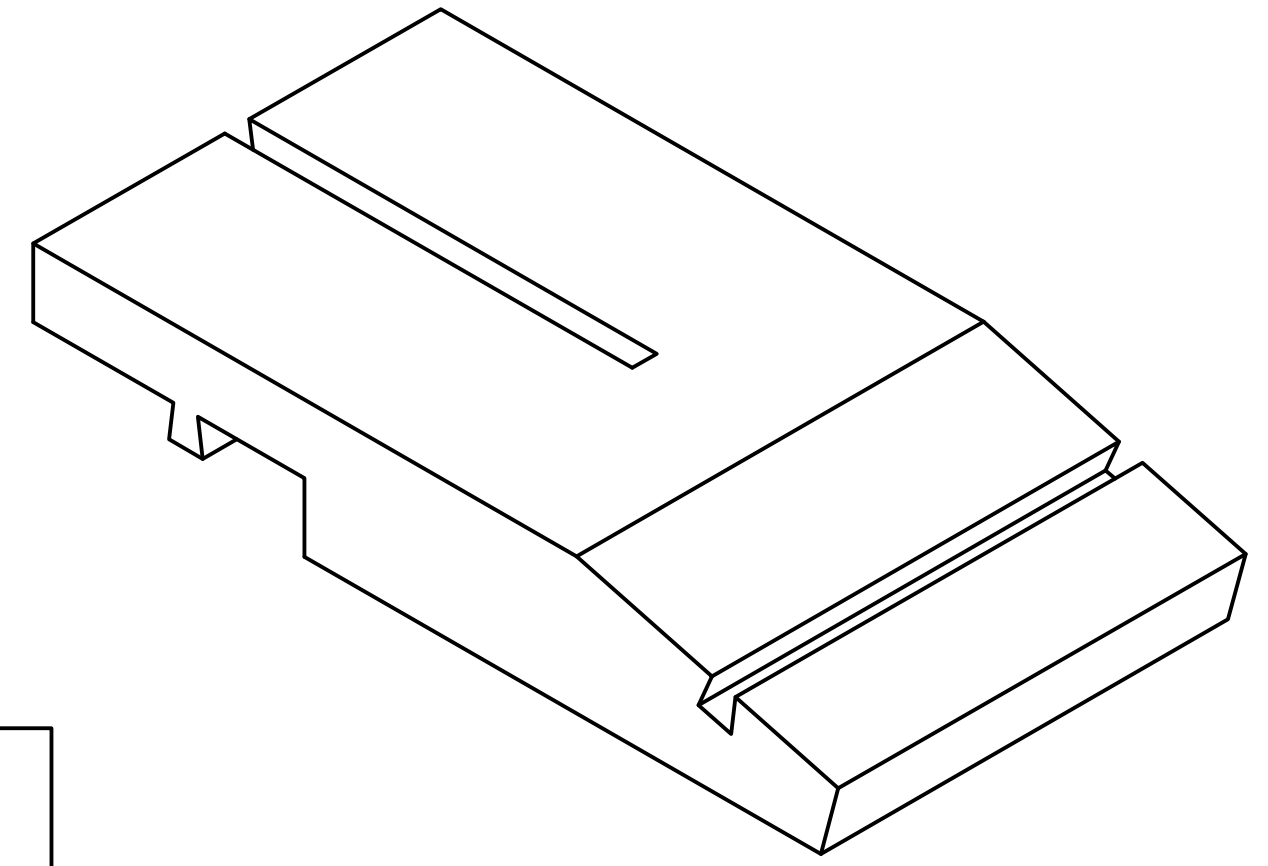


PRODUCED BY AN AUTODESK EDUCATIONAL PRODUCT

PRODUCED BY AN AUTODESK EDUCATIONAL PRODUCT

DRAWN	12/9/2012	CHRIS ██████████ LOGSTON		
CHECKED		TITLE		
QA		NIGHT STAND		
MFG		SIZE	DWG NO	REV
APPROVED		C	lamp v4 assembly	
		SCALE	SHEET 5 OF 27	

NIGHT STAND
PIECE C
(SLOT-ROUTE PIECE A)
MAKE 6

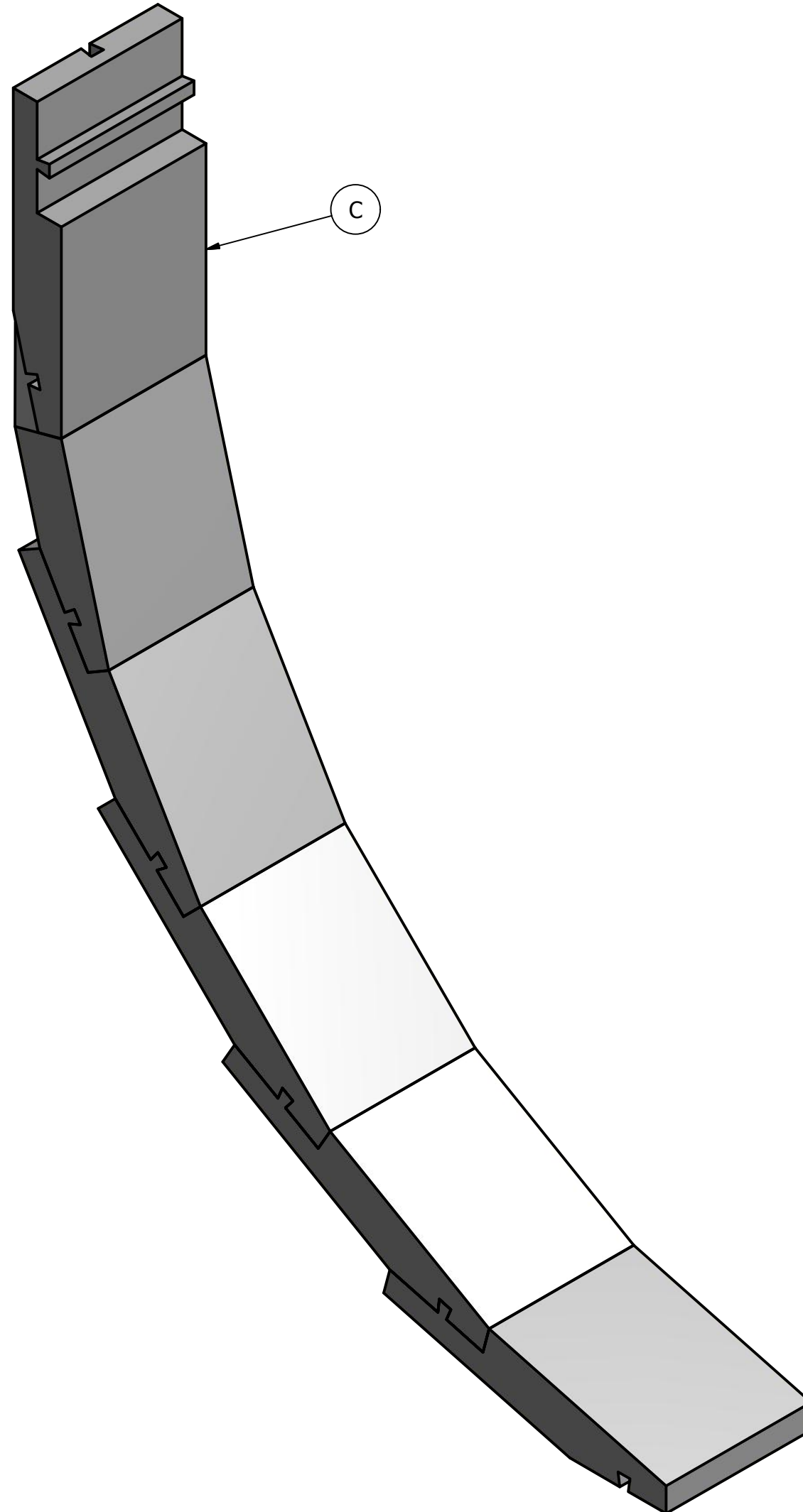


DRAWN	12/9/2012	CHRIS ██████████ LOGSTON		
CHECKED		TITLE		
QA		NIGHT STAND		
MFG		SIZE	DWG NO	REV
APPROVED		C	lamp v4 assembly	
		SCALE	SHEET 6 OF 27	

PRODUCED BY AN AUTODESK EDUCATIONAL PRODUCT

PRODUCED BY AN AUTODESK EDUCATIONAL PRODUCT

NIGHT STAND
ASSEMBLY STEP 3
(JOIN PIECE C TO PREVIOUS ASSEMBLY)



PRODUCED BY AN AUTODESK EDUCATIONAL PRODUCT

PRODUCED BY AN AUTODESK EDUCATIONAL PRODUCT

DRAWN	12/9/2012	CHRIS ██████████ LOGSTON		
CHECKED		TITLE		
QA		NIGHT STAND		
MFG		SIZE	DWG NO	REV
APPROVED		C	lamp v4 assembly	
		SCALE	SHEET 7 OF 27	

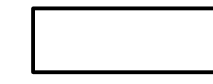
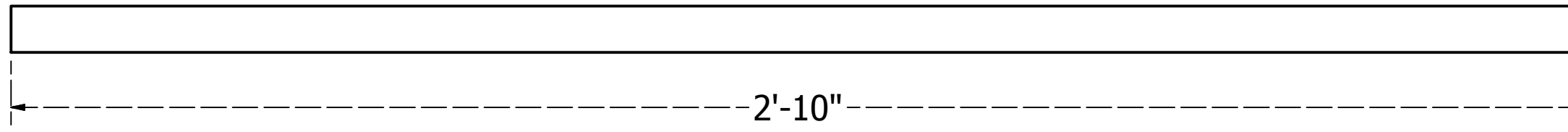
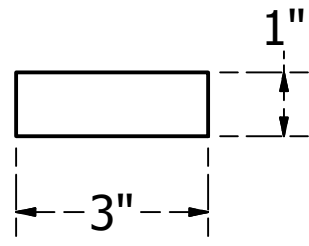
NIGHT STAND
PIECE D
CUTS 1 - 5
MAKE 6

TOP EDGE VIEW

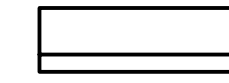
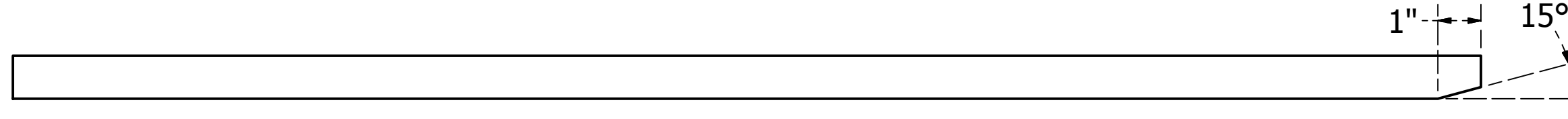
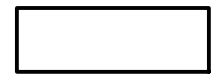
SIDE LENGTH VIEW

BOTTOM EDGE VIEW

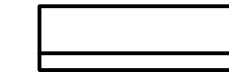
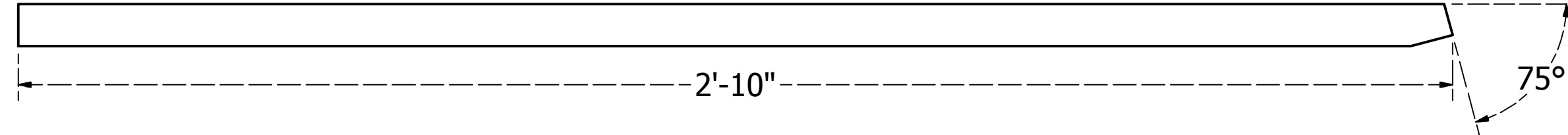
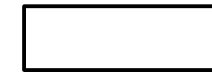
RAW PIECE



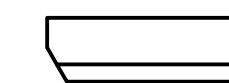
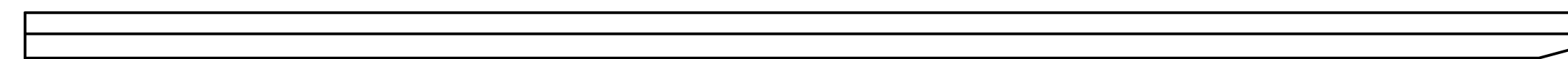
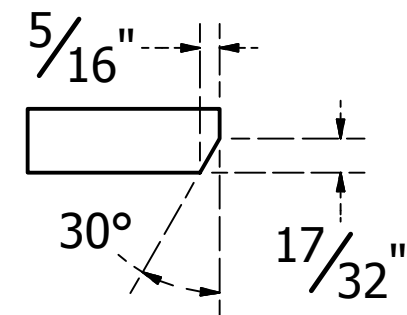
CUT 1
(ANGLE CUT
BOTTOM END)



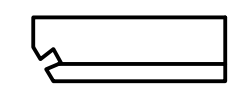
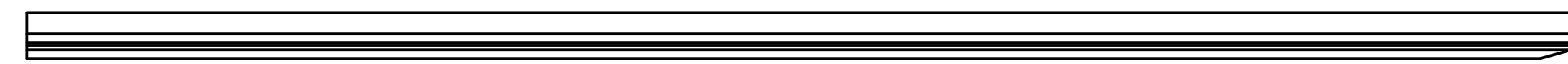
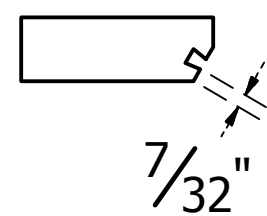
CUT 2
(ANGLE CUT
BOTTOM END)



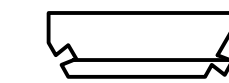
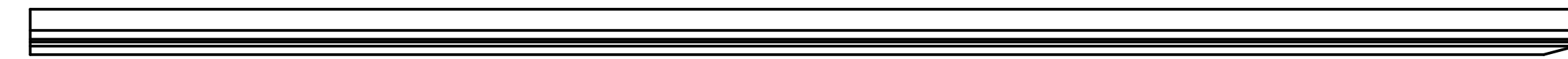
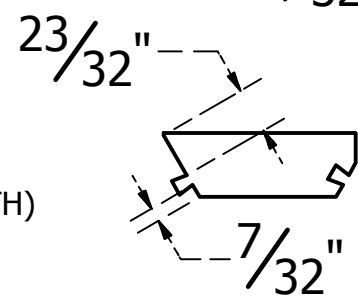
CUT 3
(ANGLE
RIP CUT)



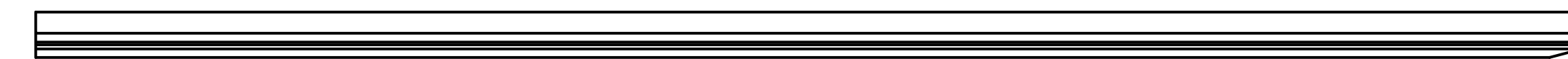
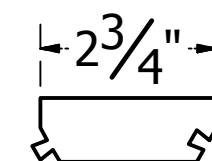
CUT 4
(FEMALE JOINT
ROUTE ALONG LENGTH)



CUT 5
(MALE JOINT
ROUTE ALONG LENGTH)



CUT 5
(PERPENDICULAR RIP CUT)



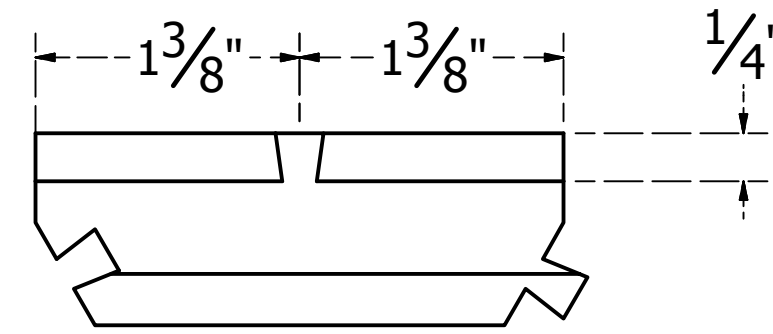
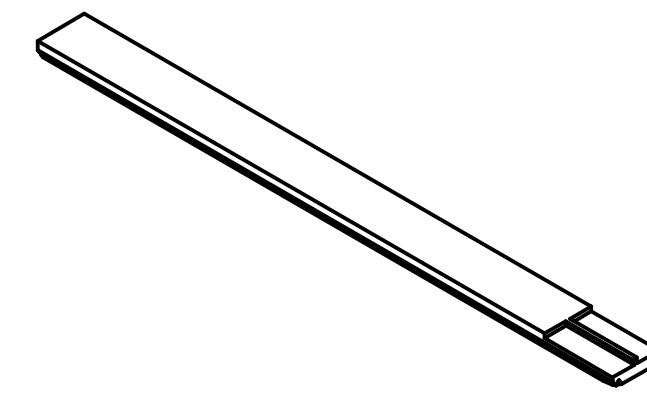
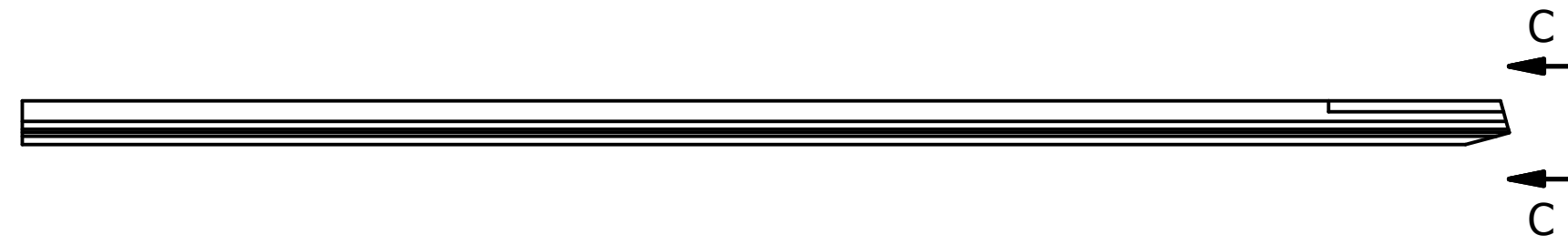
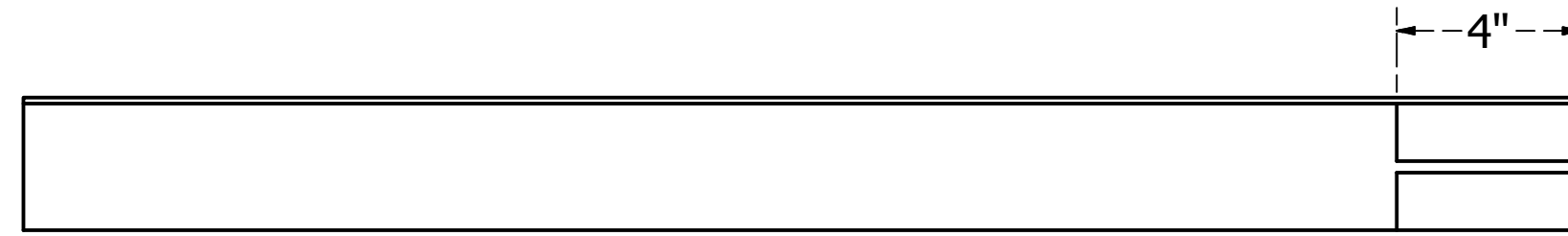
DRAWN		12/9/2012	CHRIS ██████████ LOGSTON		
CHECKED			TITLE		
QA			NIGHT STAND		
MFG			SIZE	DWG NO	REV
APPROVED			C	lamp v4 assembly	
			SCALE	SHEET 8 OF 27	

PRODUCED BY AN AUTODESK EDUCATIONAL PRODUCT

PRODUCED BY AN AUTODESK EDUCATIONAL PRODUCT

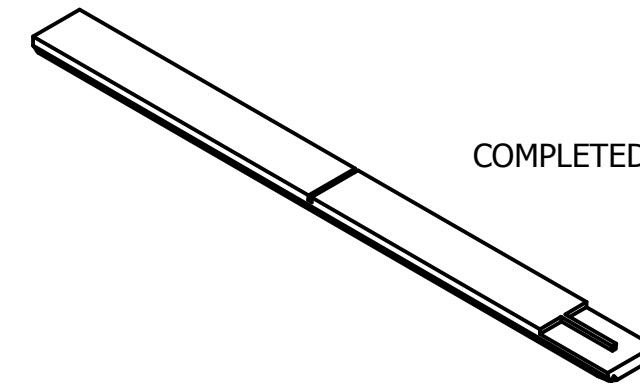
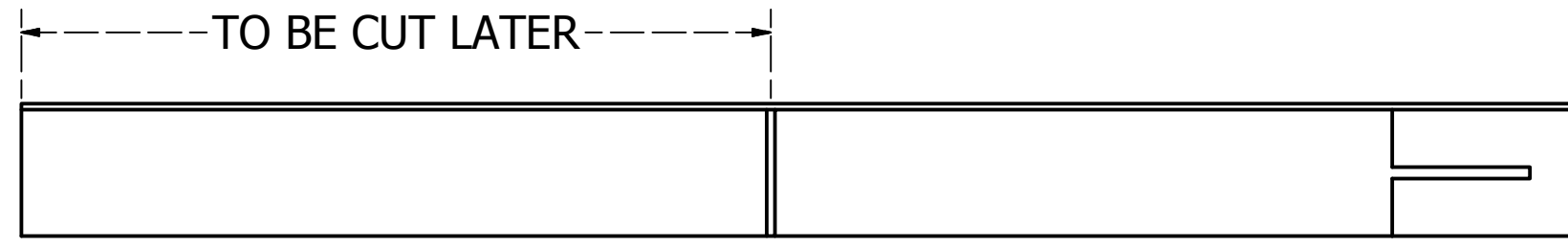
NIGHT STAND
PIECE D
CUTS 6 - 8
MAKE 6

CUT 6
(TOP SURFACE
MALE JOINT ROUTE)



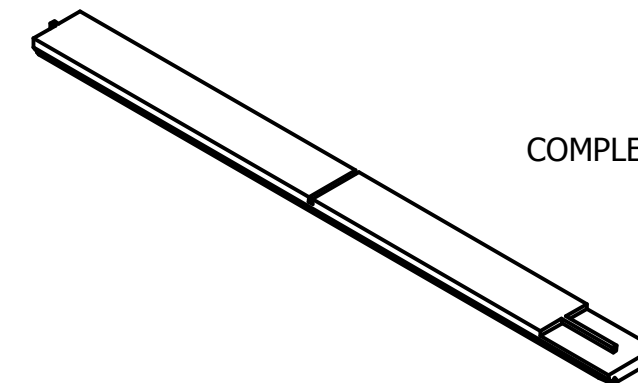
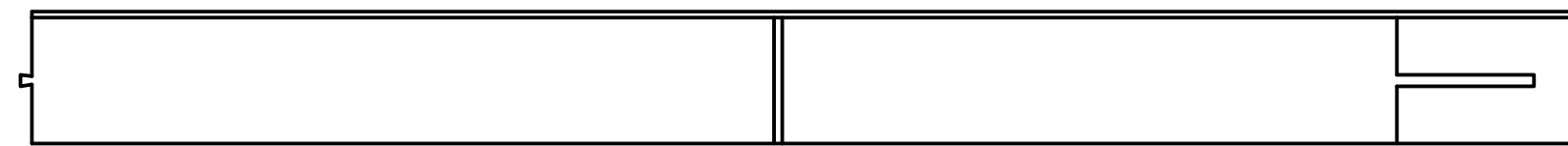
BOTTOM END VIEW

CUT 7
(MID LENGTH FEMALE JOINT CUT
TO BE CUT LATER)



COMPLETED D-PIECE WITHOUT MALE-JOINT TOP-END
MAKE 4

CUT 8 - ONLY FOR 2 D-PIECES
(FOR 2 OUT THE 6 D-PIECES,
CUT FULL LENGTH AT 2' 10 1/4",
AND ROUTE TOP END TO MALE END JOINT)



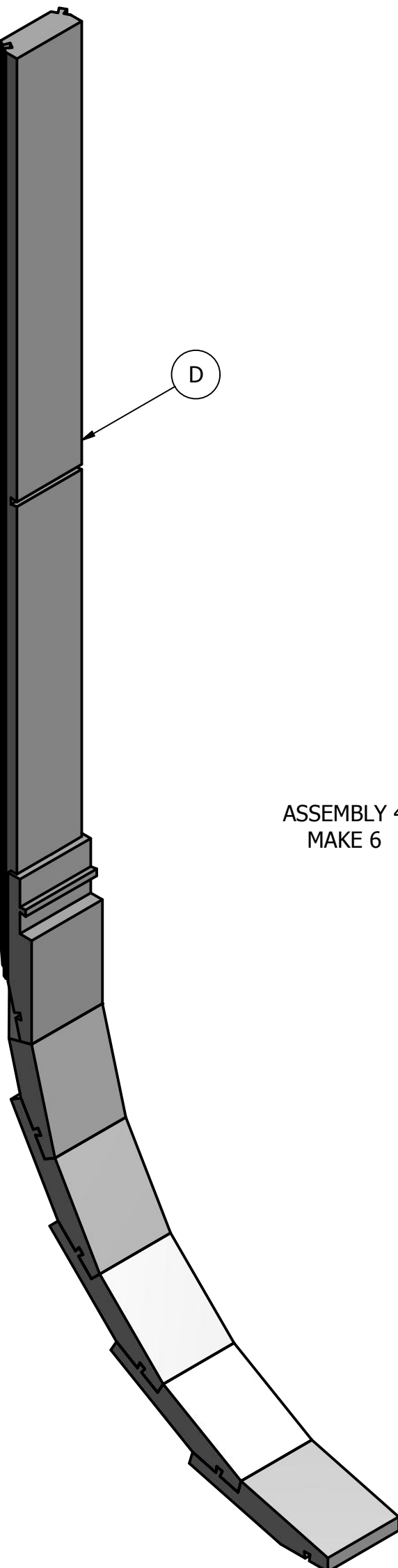
COMPLETED D-PIECE WITH MALE-JOINT TOP-END
MAKE 2

DRAWN	12/9/2012	CHRIS ██████████ LOGSTON		
CHECKED		TITLE		
QA		NIGHT STAND		
MFG		SIZE	DWG NO	REV
APPROVED		C	lamp v4 assembly	
		SCALE	SHEET 9 OF 27	

PRODUCED BY AN AUTODESK EDUCATIONAL PRODUCT

PRODUCED BY AN AUTODESK EDUCATIONAL PRODUCT

NIGHT STAND
ASSEMBLY STEP 4
(JOIN PIECE D TO PREVIOUS ASSEMBLY)
MAKE 6



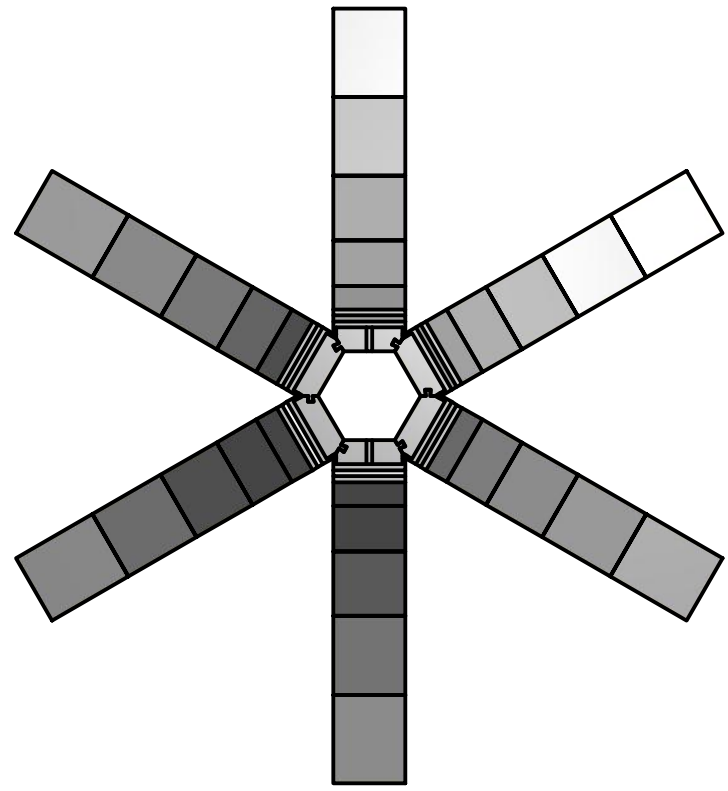
ASSEMBLY 4
MAKE 6

PRODUCED BY AN AUTODESK EDUCATIONAL PRODUCT

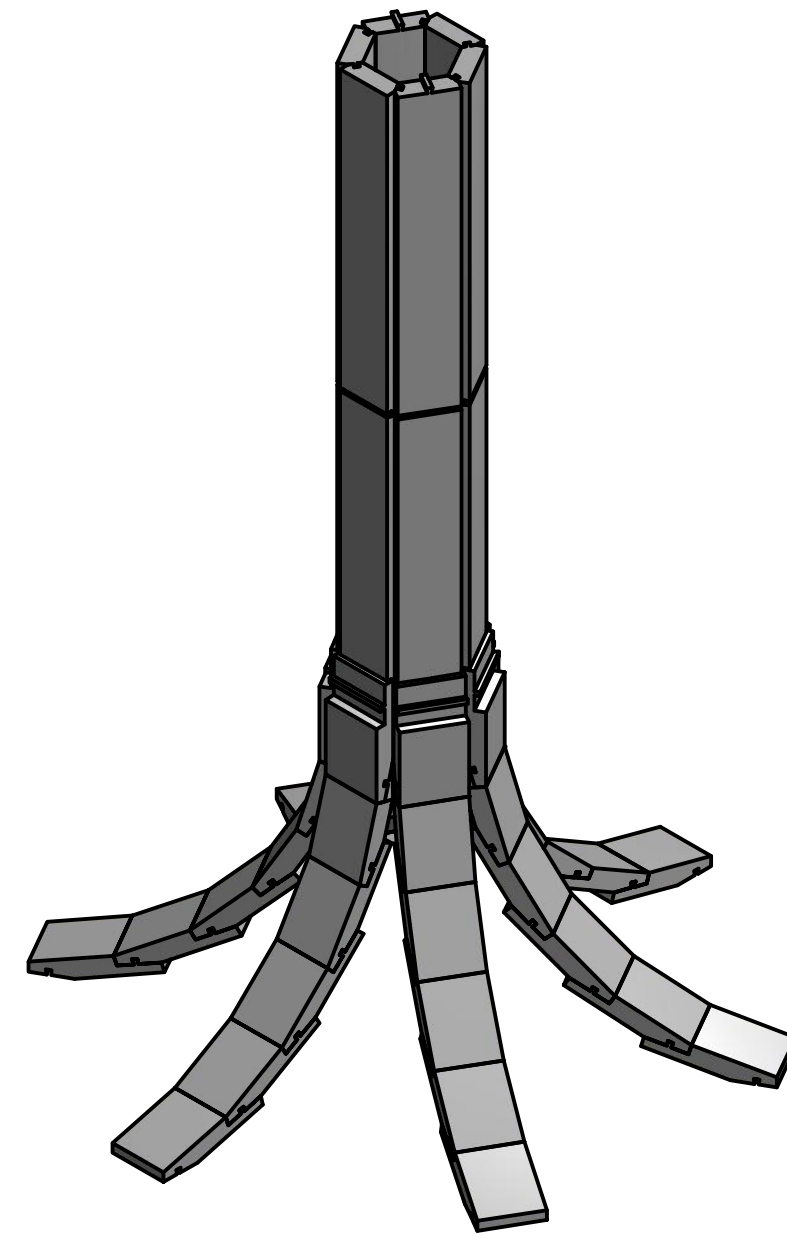
PRODUCED BY AN AUTODESK EDUCATIONAL PRODUCT

DRAWN	12/9/2012	CHRIS ██████████ LOGSTON		
CHECKED		TITLE		
QA		NIGHT STAND		
MFG		SIZE	DWG NO	REV
APPROVED		C	lamp v4 assembly	
		SCALE	SHEET 10 OF 27	

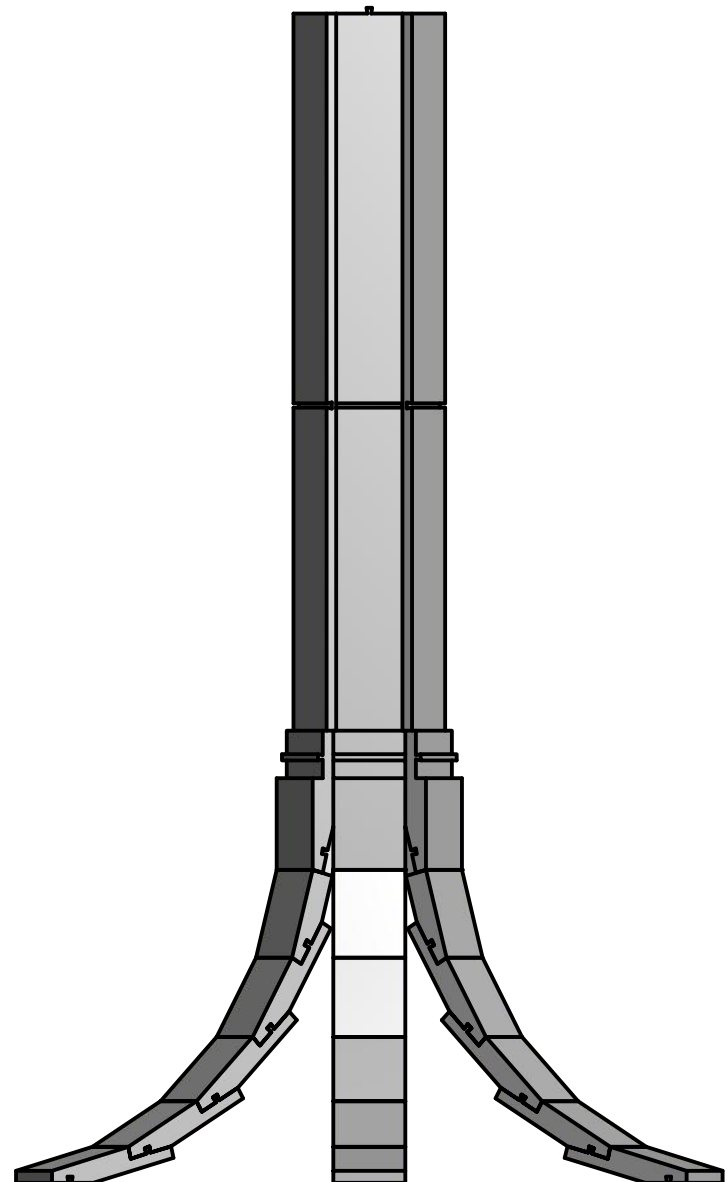
NIGHT STAND
ASSEMBLY STEP 5
(JOIN 6X PREVIOUS ASSEMBLY
ALONG PIECE D LONG JOINT EDGES)



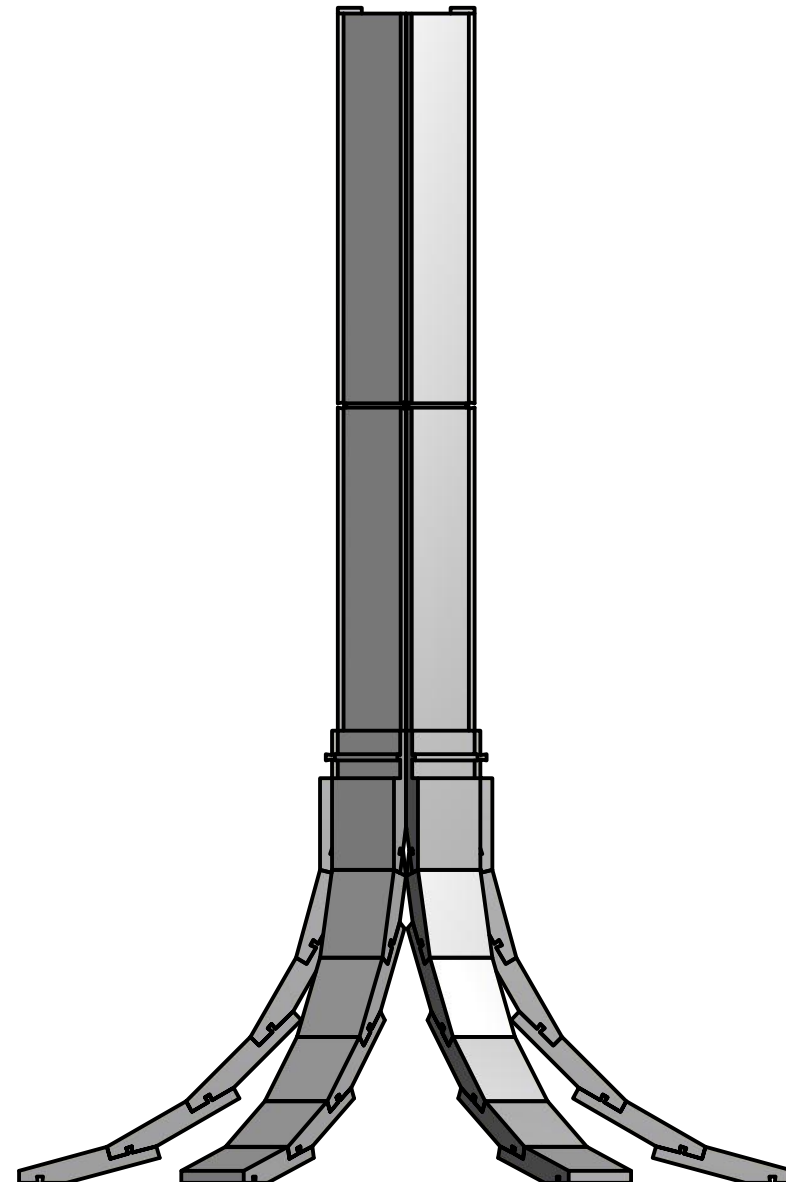
TOP VIEW



ISOMETRIC VIEW



FRONT VIEW



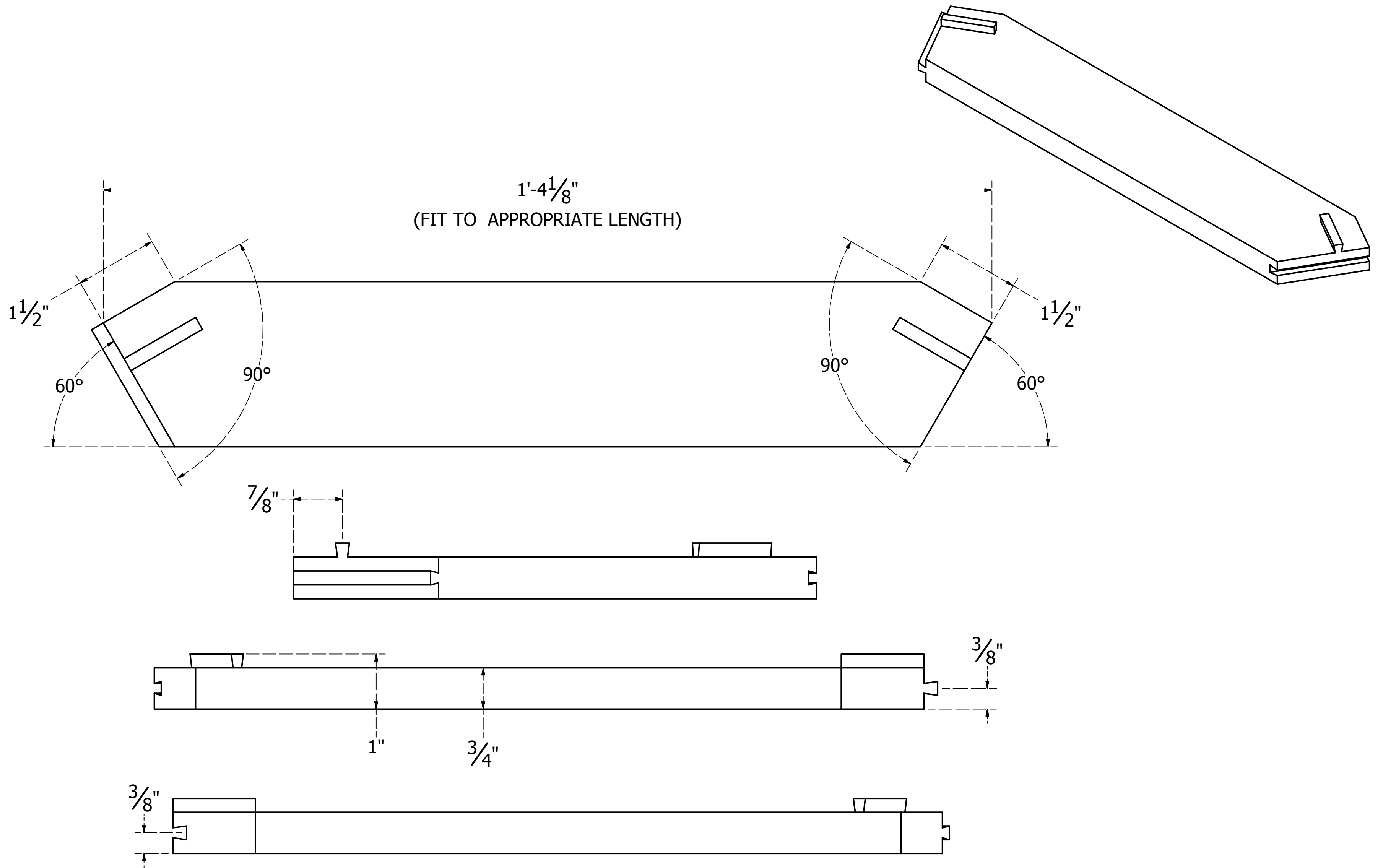
SIDE VIEW

DRAWN	12/9/2012	CHRIS ██████████ LOGSTON		
CHECKED		TITLE		
QA		NIGHT STAND		
MFG		SIZE	DWG NO	REV
APPROVED		C	lamp v4 assembly	
		SCALE	SHEET 11 OF 27	

PRODUCED BY AN AUTODESK EDUCATIONAL PRODUCT

PRODUCED BY AN AUTODESK EDUCATIONAL PRODUCT

NIGHT STAND
PIECE E
MAKE 6

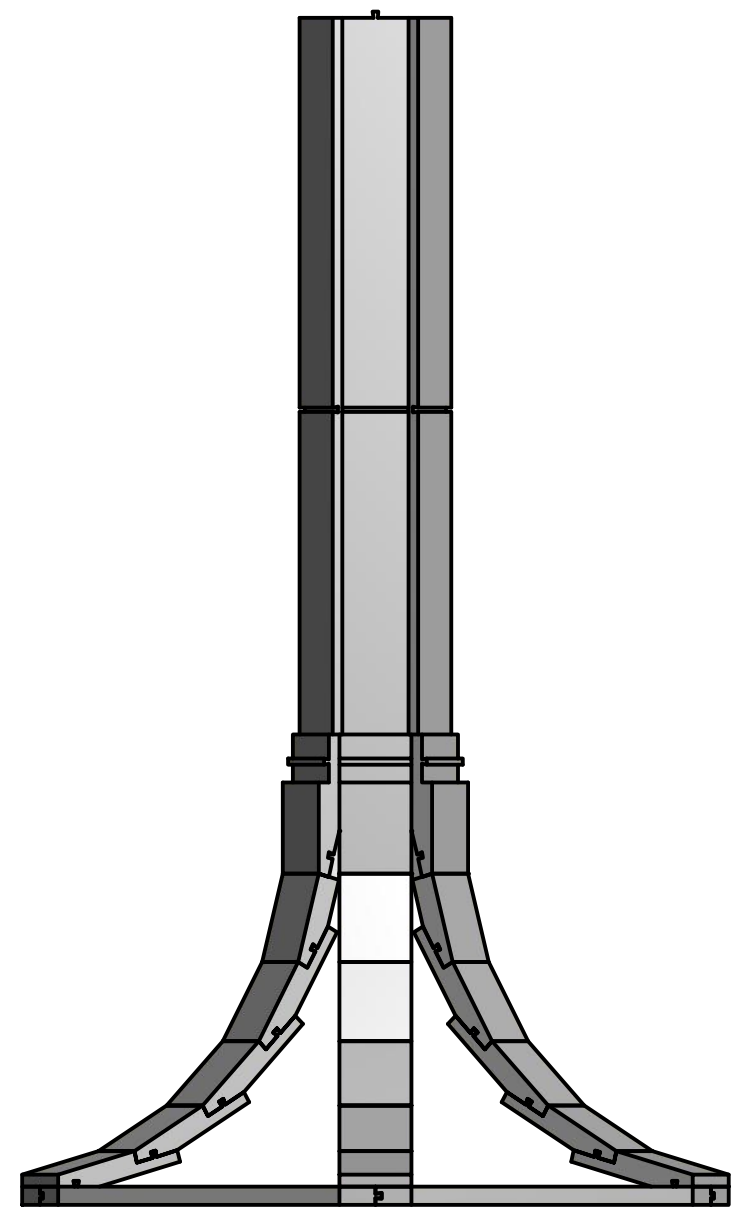


PRODUCED BY AN AUTODESK EDUCATIONAL PRODUCT

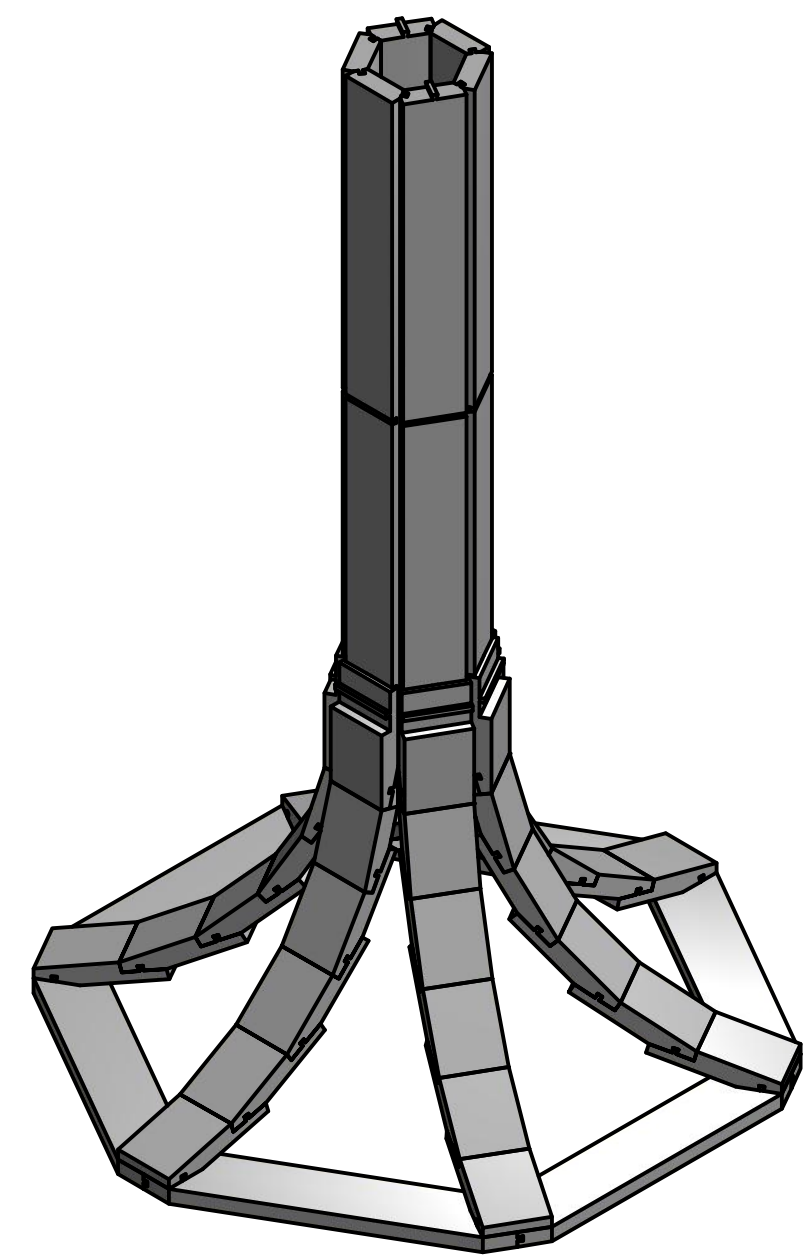
PRODUCED BY AN AUTODESK EDUCATIONAL PRODUCT

DRAWN	12/9/2012	CHRIS ██████████ LOGSTON		
CHECKED		TITLE		
QA		NIGHT STAND		
MFG		SIZE	DWG NO	REV
APPROVED		C	lamp v4 assembly	
		SCALE	SHEET 12 OF 27	

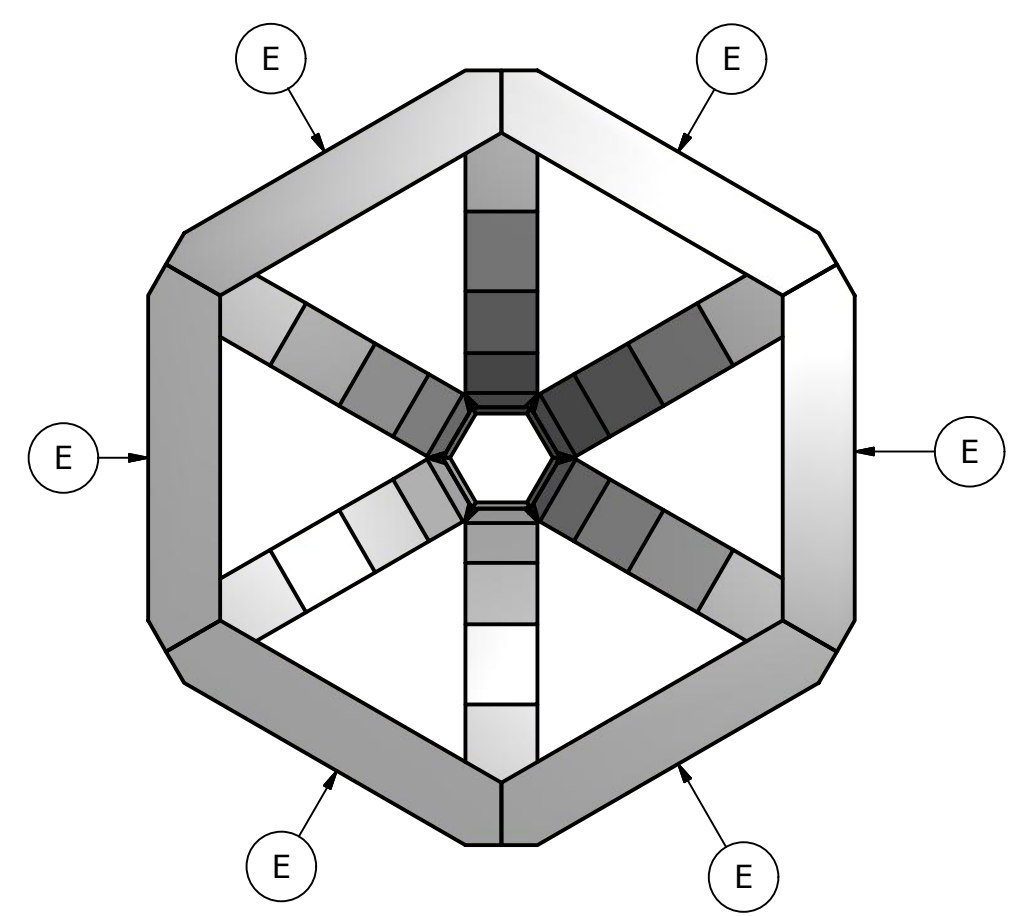
NIGHT STAND
ASSEMBLY STEP 5
(JOIN 6 E-PIECES TOGETHER ALONG ENDS
AND TO PREVIOUS ASSEMBLY BY TOP JOINT)



FRONT VIEW



ISOMETRIC VIEW



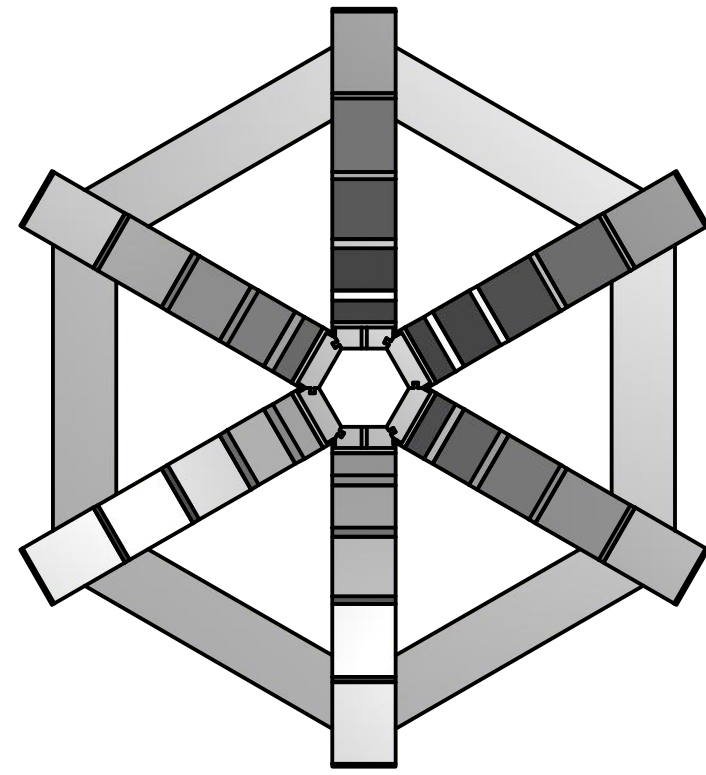
BOTTOM VIEW

DRAWN	12/9/2012	CHRIS ██████████ LOGSTON		
CHECKED		TITLE		
QA		NIGHT STAND		
MFG		SIZE	DWG NO	REV
APPROVED		C	lamp v4 assembly	
		SCALE	SHEET 13 OF 27	

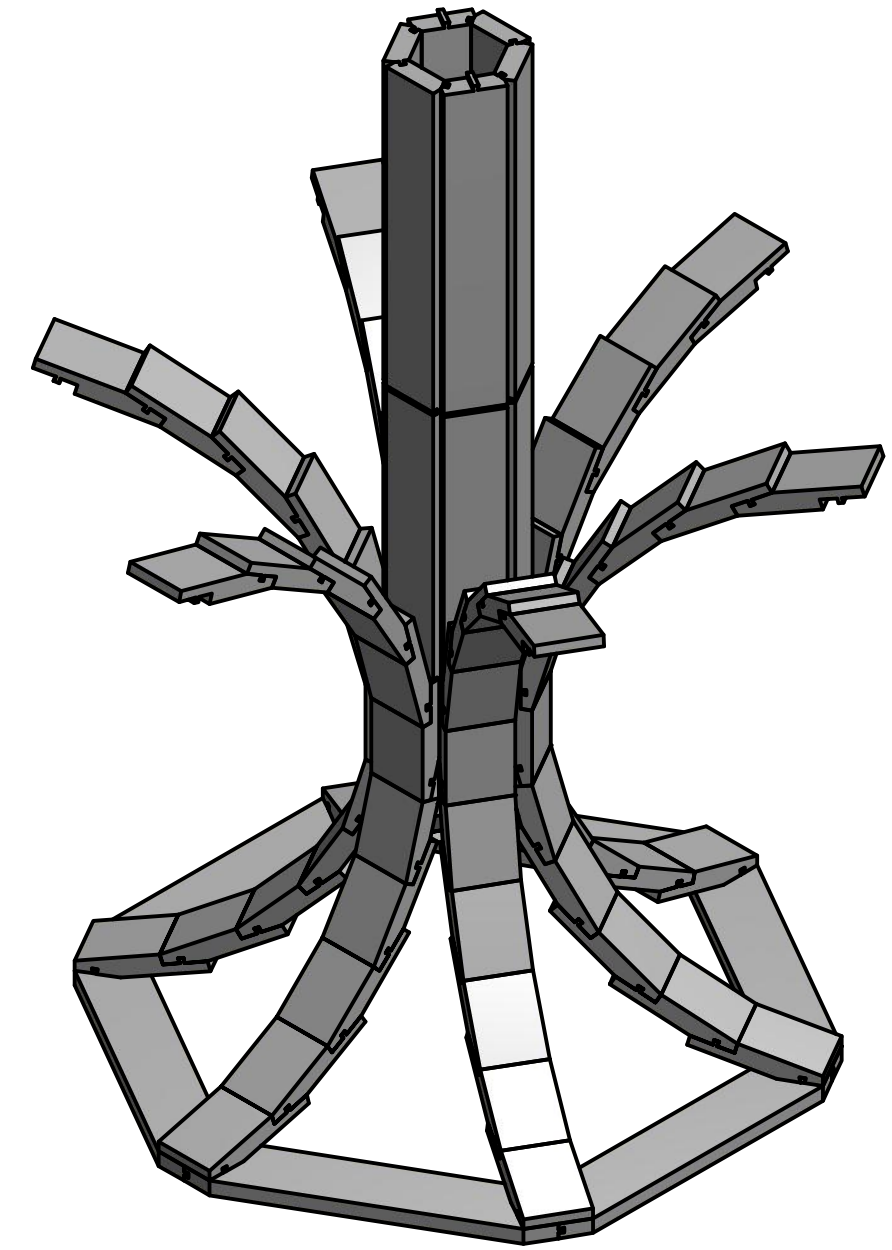
PRODUCED BY AN AUTODESK EDUCATIONAL PRODUCT

PRODUCED BY AN AUTODESK EDUCATIONAL PRODUCT

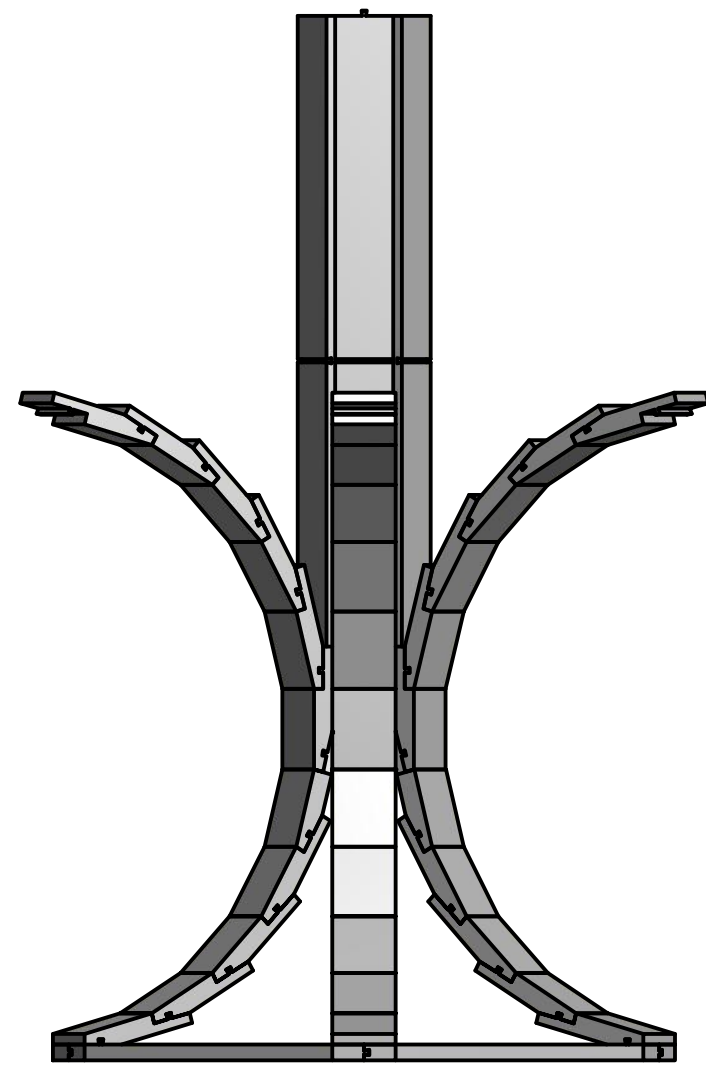
NIGHT STAND
ASSEMBLY STEP 6
(ADD 5 A-PIECES TO EACH OF THE 6 ARMS
TOTAL OF 30 MORE A-PIECES NEEDED)



TOP VIEW



ISOMETRIC VIEW



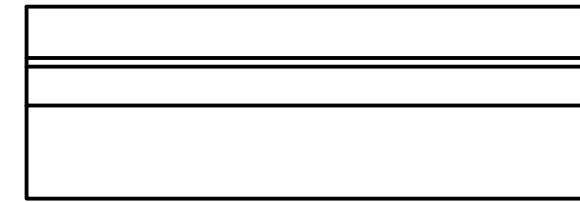
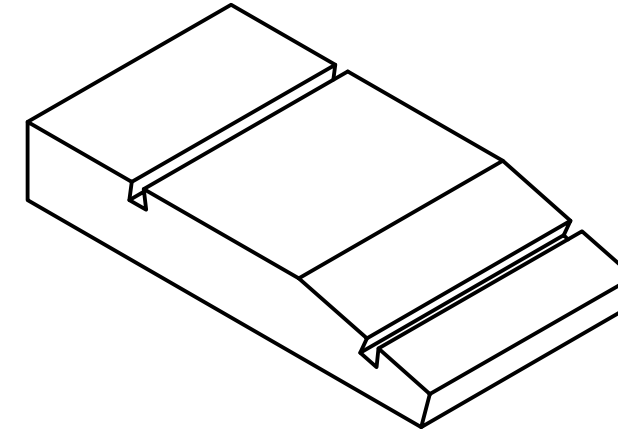
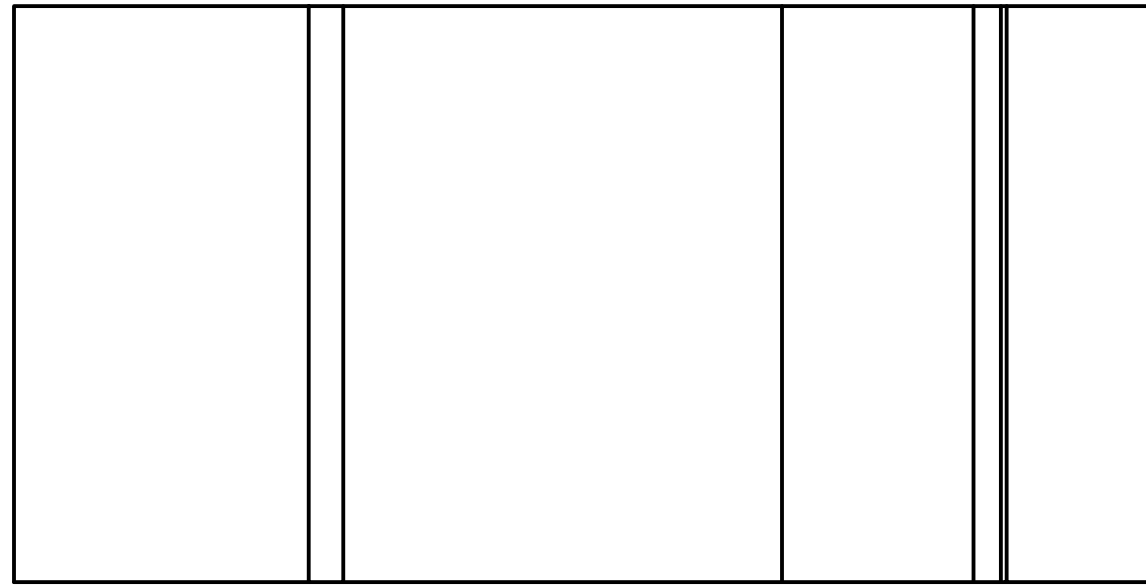
FRONT VIEW

DRAWN	12/9/2012	CHRIS ██████████ LOGSTON		
CHECKED		TITLE		
QA		NIGHT STAND		
MFG		SIZE	DWG NO	REV
APPROVED		C	lamp v4 assembly	
		SCALE	SHEET 14 OF 27	

PRODUCED BY AN AUTODESK EDUCATIONAL PRODUCT

PRODUCED BY AN AUTODESK EDUCATIONAL PRODUCT

NIGHT STAND
PIECE F
(PIECE A WITH TOP FEMALE JOINT
INSTEAD OF BOTTOM MALE JOINT)
MAKE 6

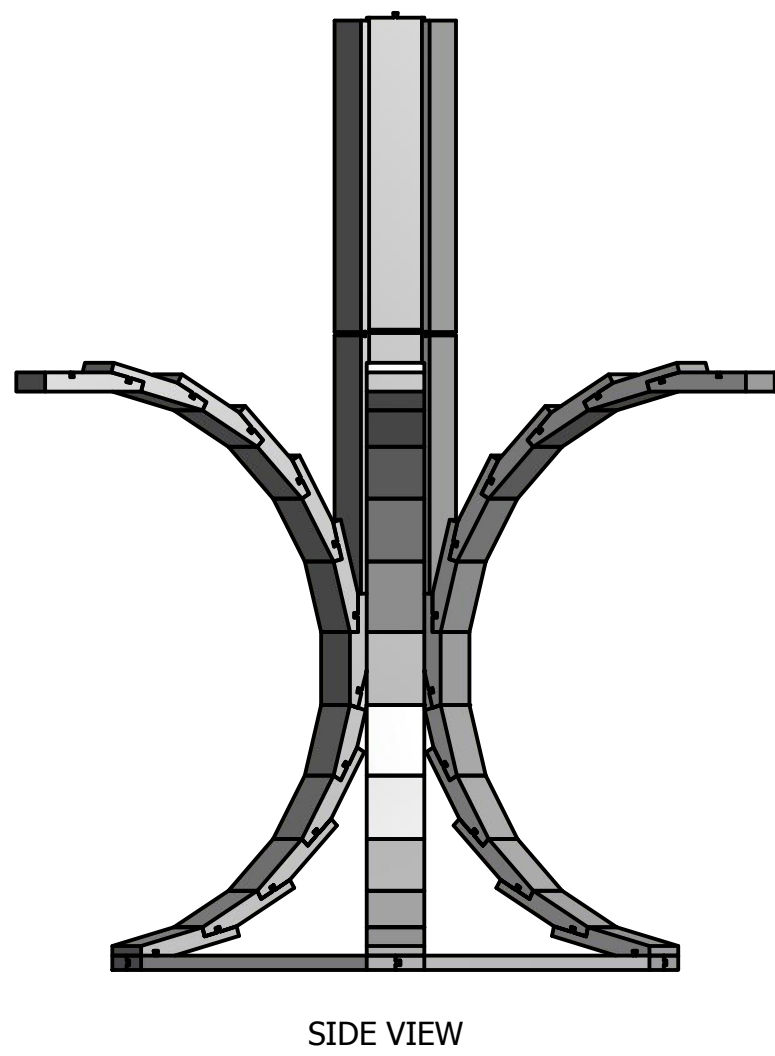
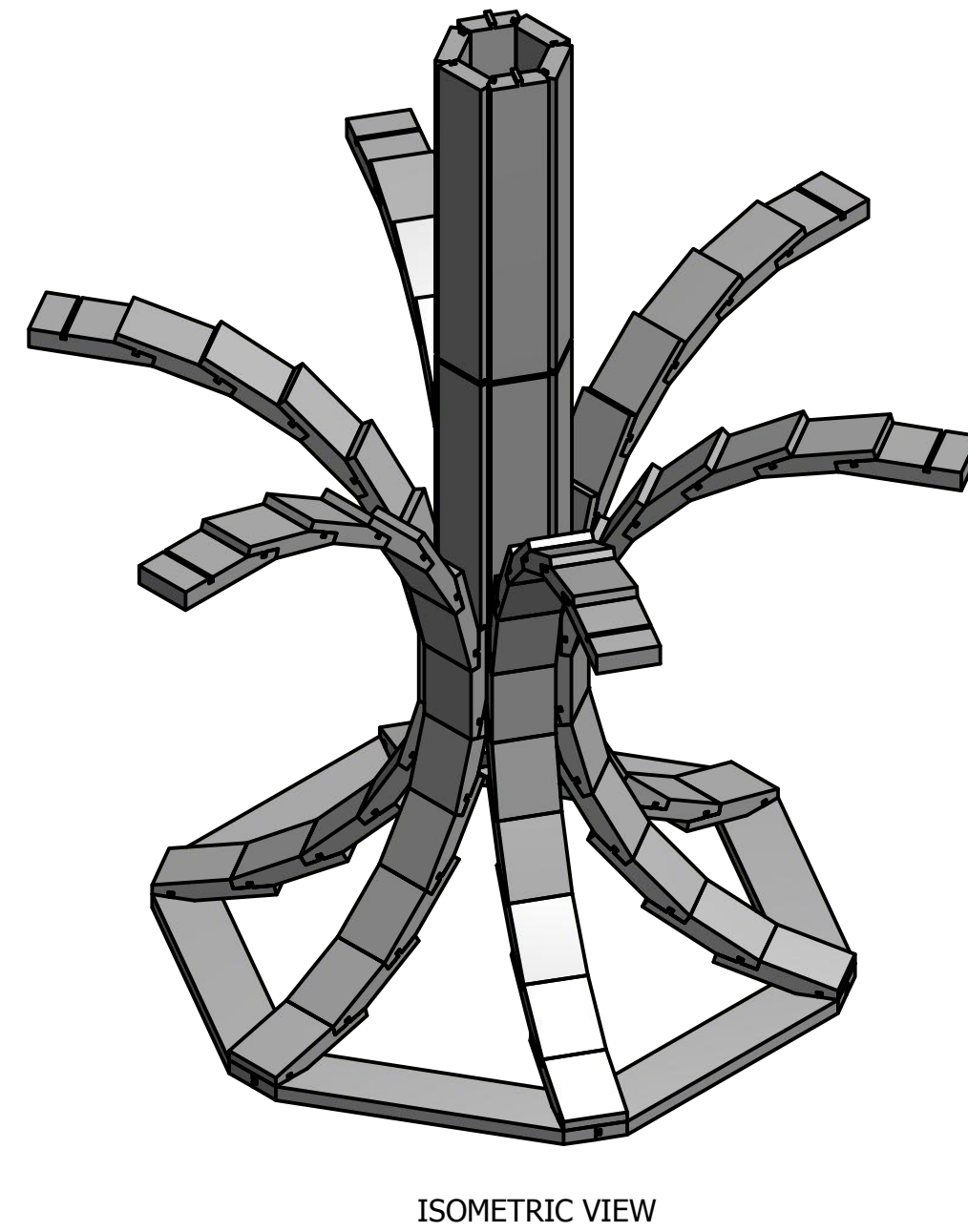
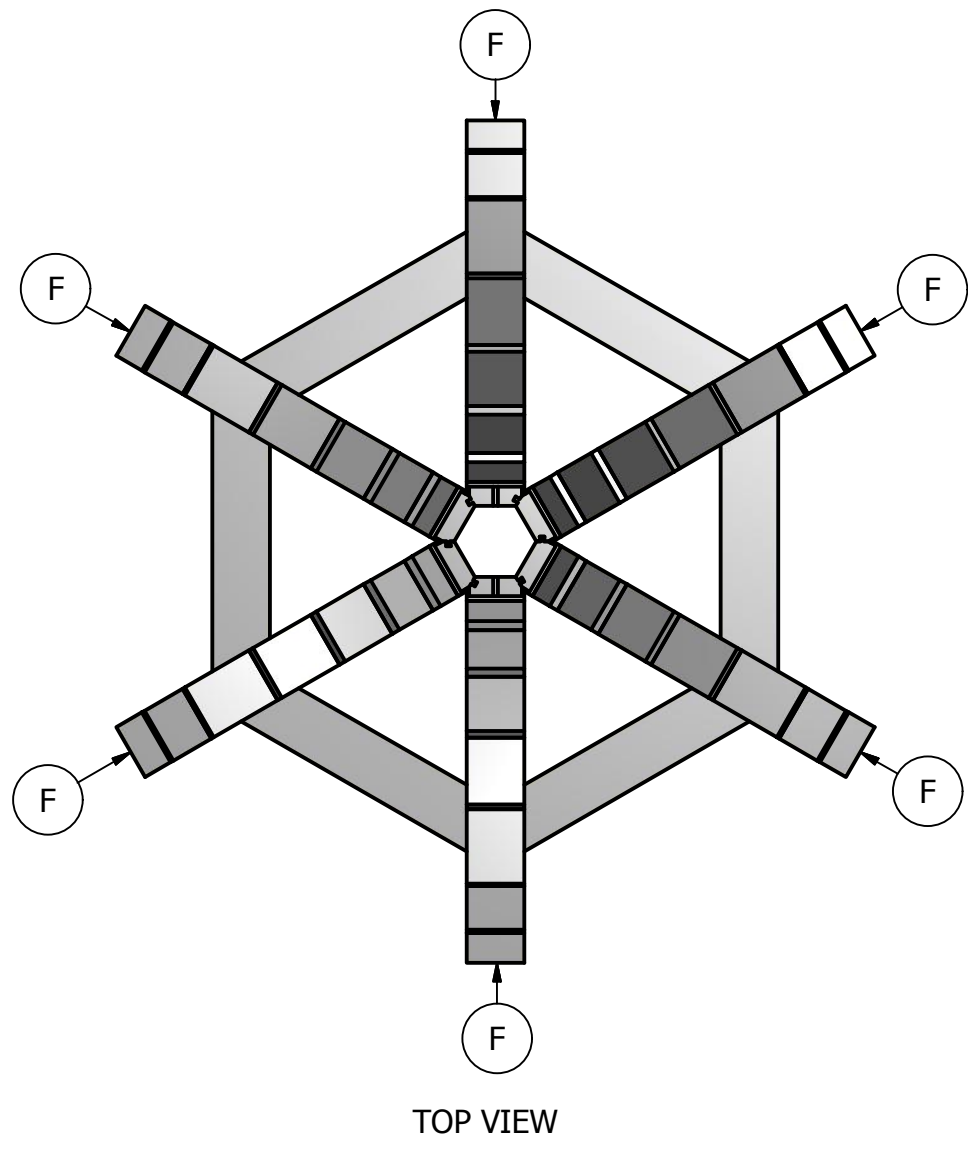


DRAWN	12/9/2012	CHRIS ██████████ LOGSTON		
CHECKED		TITLE		
QA		NIGHT STAND		
MFG		SIZE	DWG NO	REV
APPROVED		C	lamp v4 assembly	
		SCALE	SHEET 15 OF 27	

PRODUCED BY AN AUTODESK EDUCATIONAL PRODUCT

PRODUCED BY AN AUTODESK EDUCATIONAL PRODUCT

NIGHT STAND
ASSEMBLY STEP 7
(JOIN 1 F-PIECE TO THE END OF
EACH OF THE 6 ARMS)

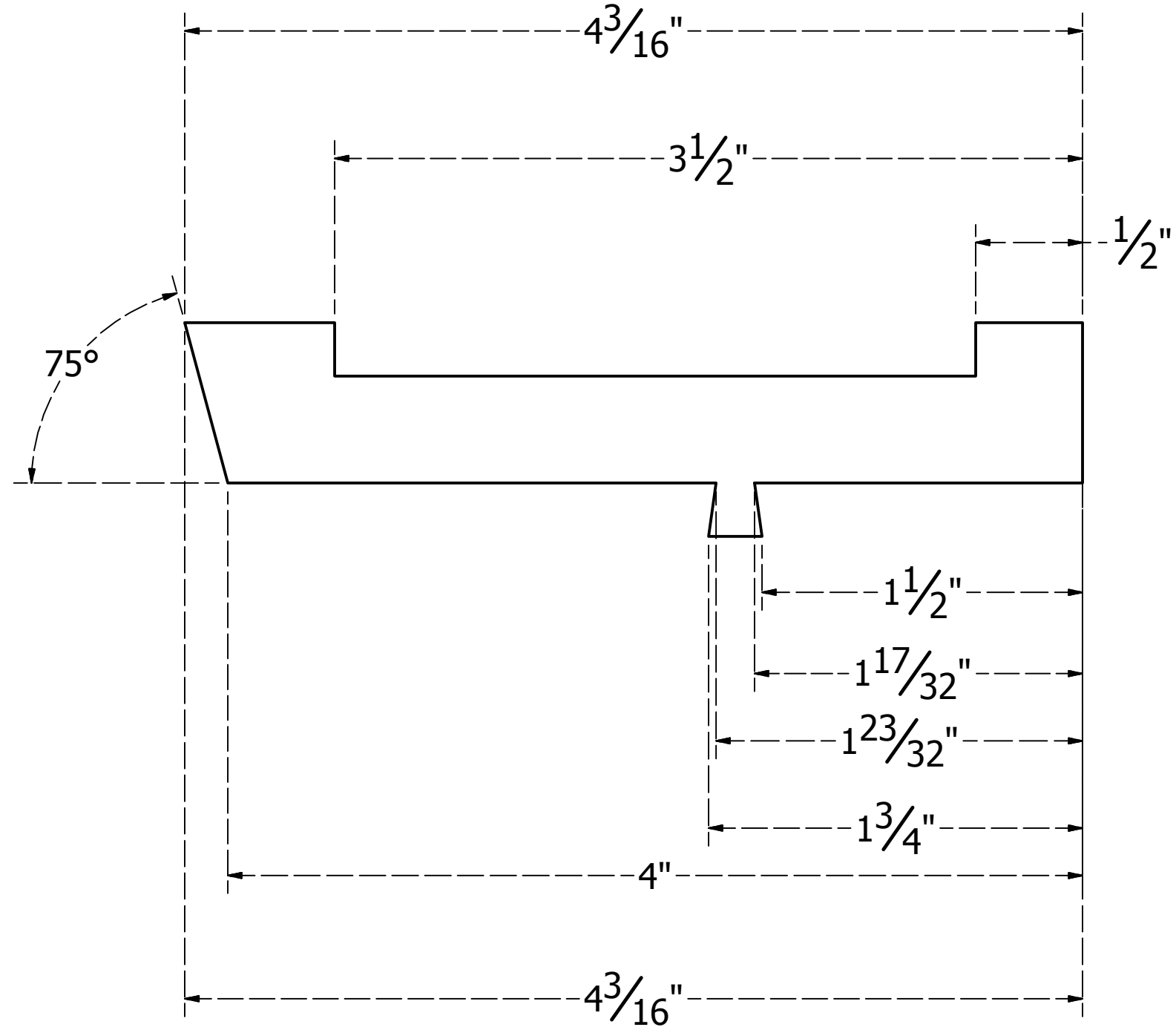
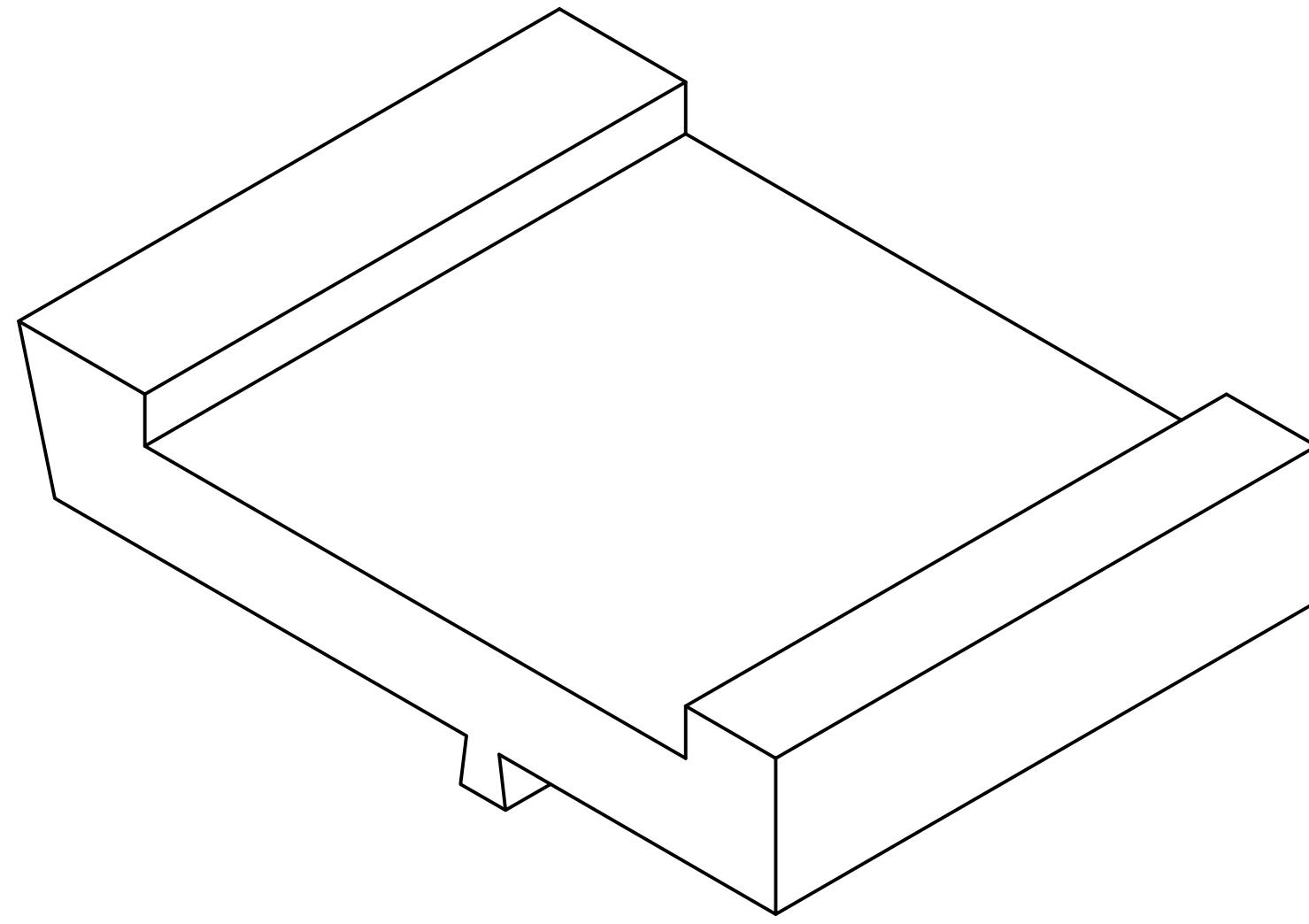
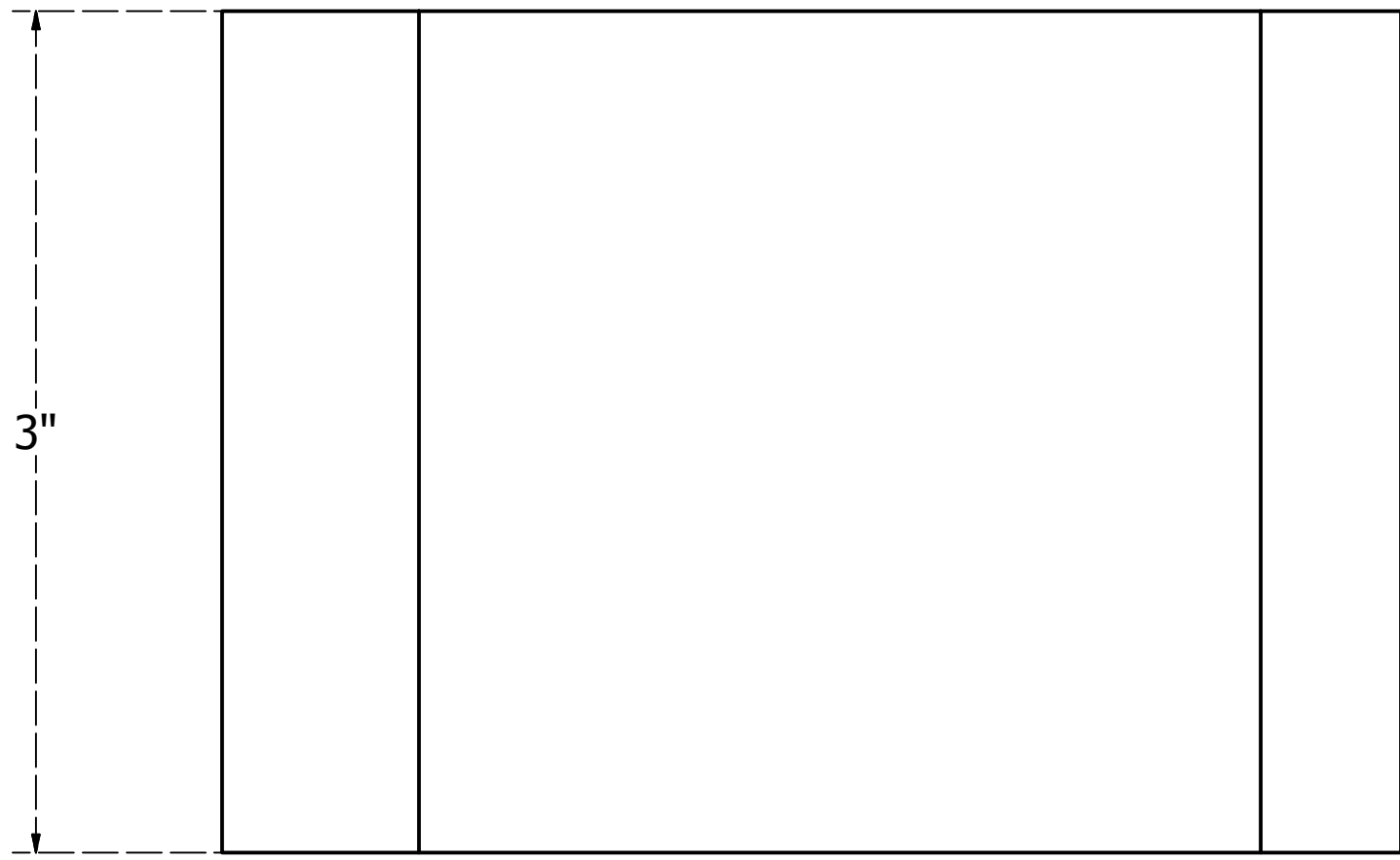


DRAWN	12/9/2012	CHRIS ██████████ LOGSTON		
CHECKED		TITLE		
QA		NIGHT STAND		
MFG		SIZE	DWG NO	REV
APPROVED		C	lamp v4 assembly	
		SCALE	SHEET 16 OF 27	

PRODUCED BY AN AUTODESK EDUCATIONAL PRODUCT

PRODUCED BY AN AUTODESK EDUCATIONAL PRODUCT

NIGHT STAND
PIECE G
MAKE 6

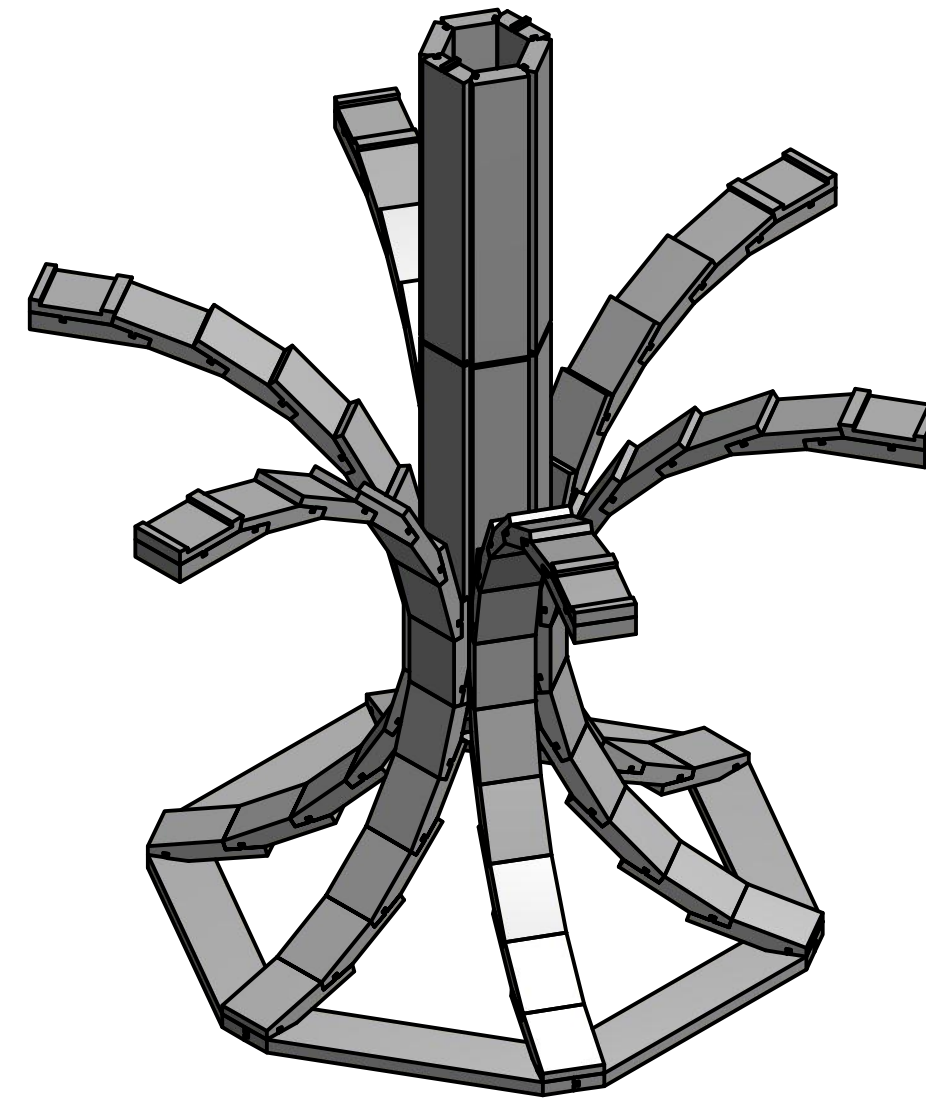
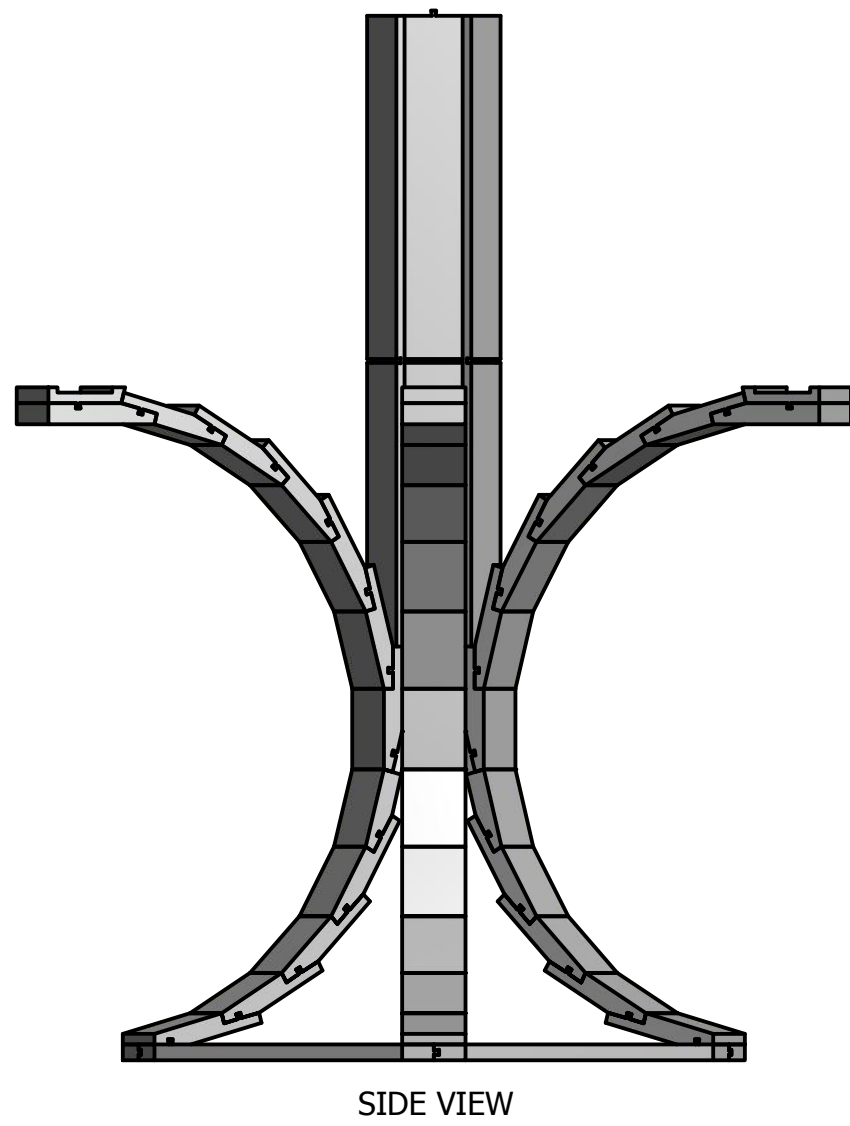
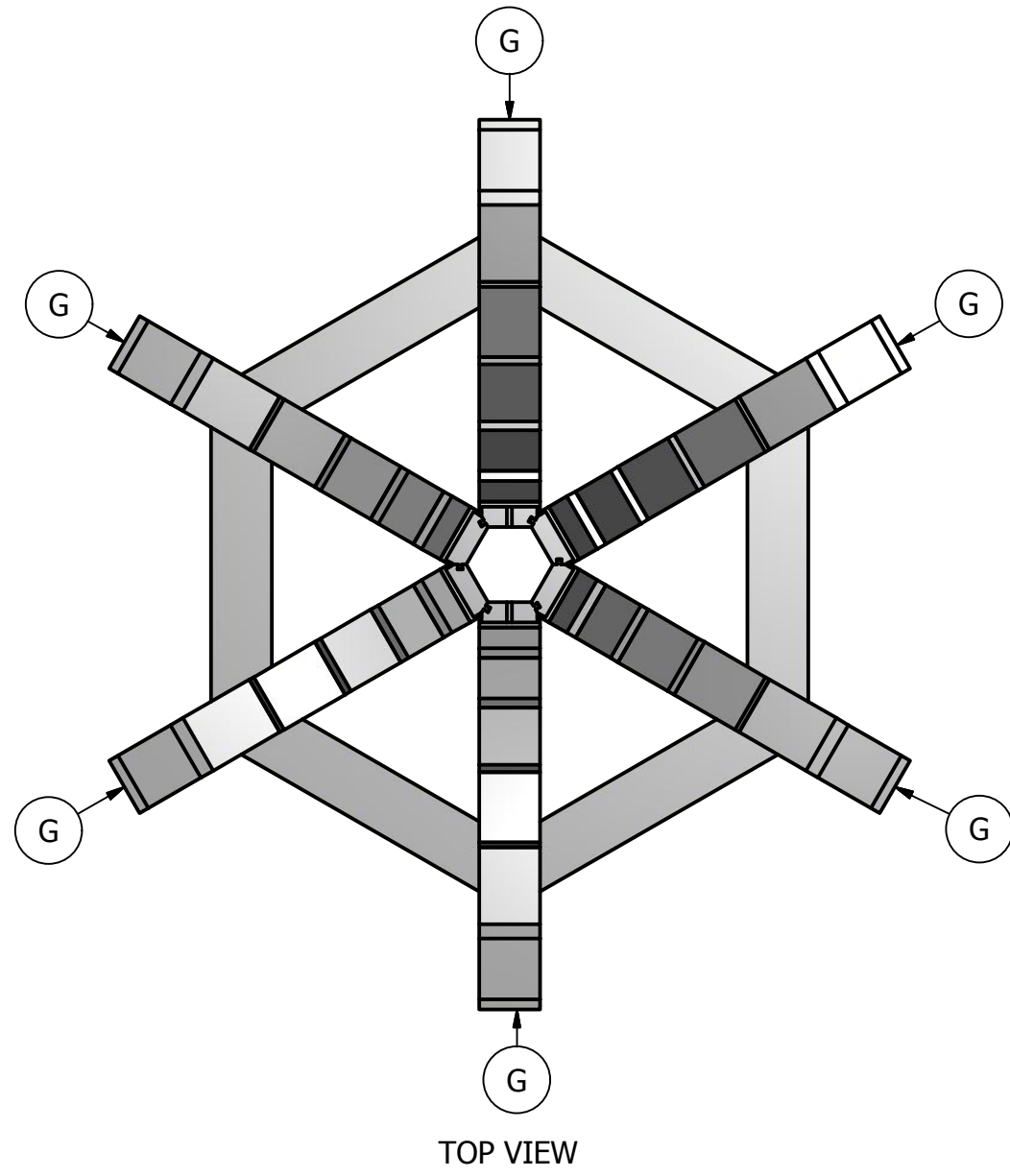


DRAWN	12/9/2012	CHRIS ██████████ LOGSTON		
CHECKED		TITLE		
QA		NIGHT STAND		
MFG		SIZE	DWG NO	REV
APPROVED		C	lamp v4 assembly	
		SCALE	SHEET 17 OF 27	

PRODUCED BY AN AUTODESK EDUCATIONAL PRODUCT

PRODUCED BY AN AUTODESK EDUCATIONAL PRODUCT

NIGHT STAND
 ASSEMBLY STEP 8
 (JOIN 1 G-PIECE TO THE END OF
 EACH OF THE 6 ARMS)

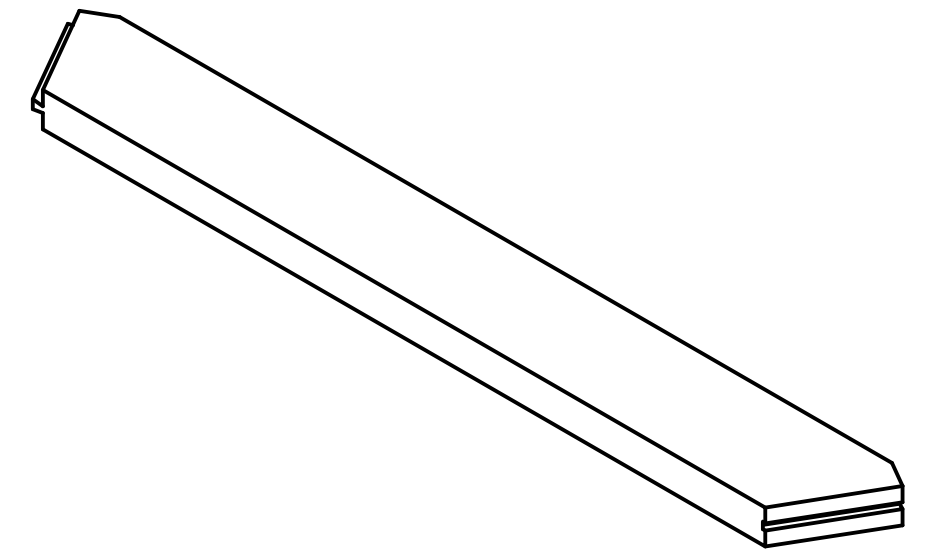


DRAWN	12/9/2012	CHRIS ██████████ LOGSTON		
CHECKED		TITLE		
QA		NIGHT STAND		
MFG		SIZE	DWG NO	REV
APPROVED		C	lamp v4 assembly	
		SCALE	SHEET 18 OF 27	

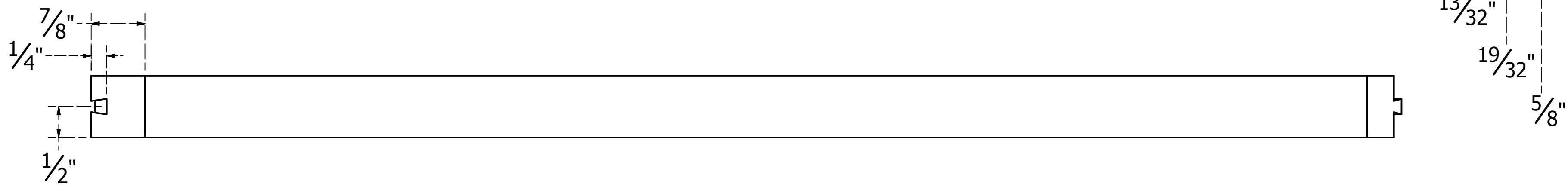
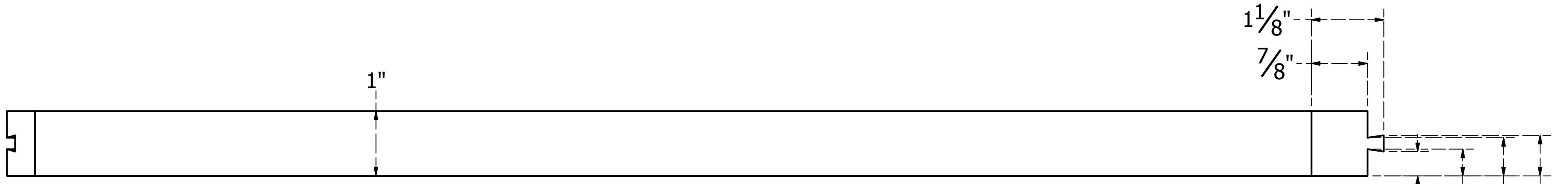
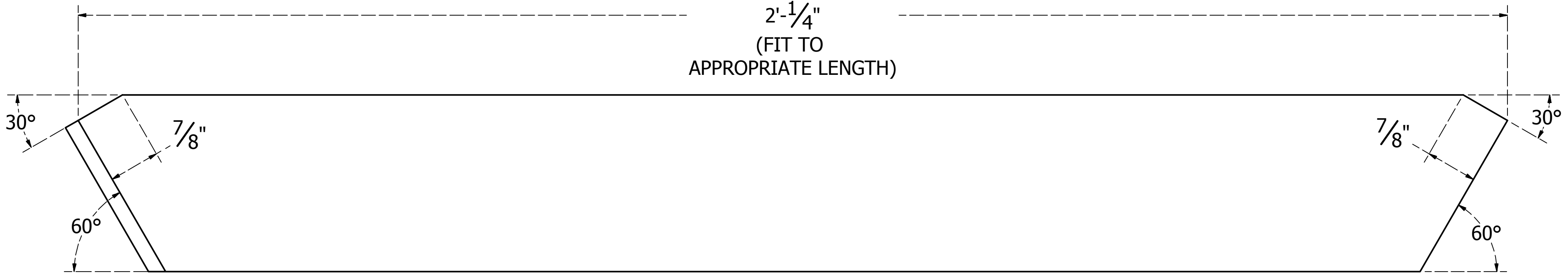
PRODUCED BY AN AUTODESK EDUCATIONAL PRODUCT

PRODUCED BY AN AUTODESK EDUCATIONAL PRODUCT

NIGHT STAND
PIECE H
MAKE 6



2'-1/4"
(FIT TO
APPROPRIATE LENGTH)

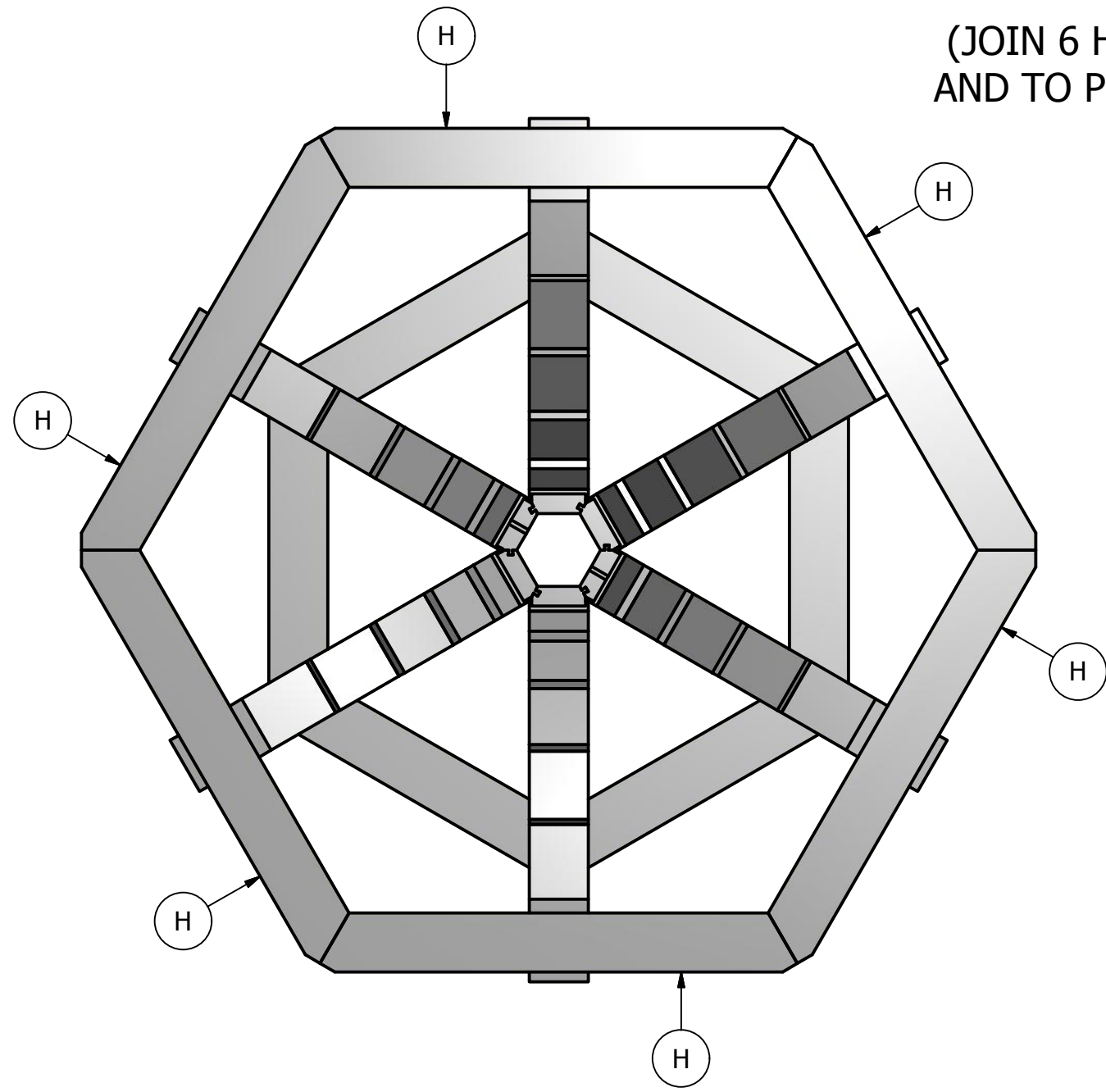


DRAWN	12/9/2012	CHRIS ██████████ LOGSTON		
CHECKED		TITLE		
QA		NIGHT STAND		
MFG		SIZE	DWG NO	REV
APPROVED		C	lamp v4 assembly	
		SCALE	SHEET 19 OF 27	

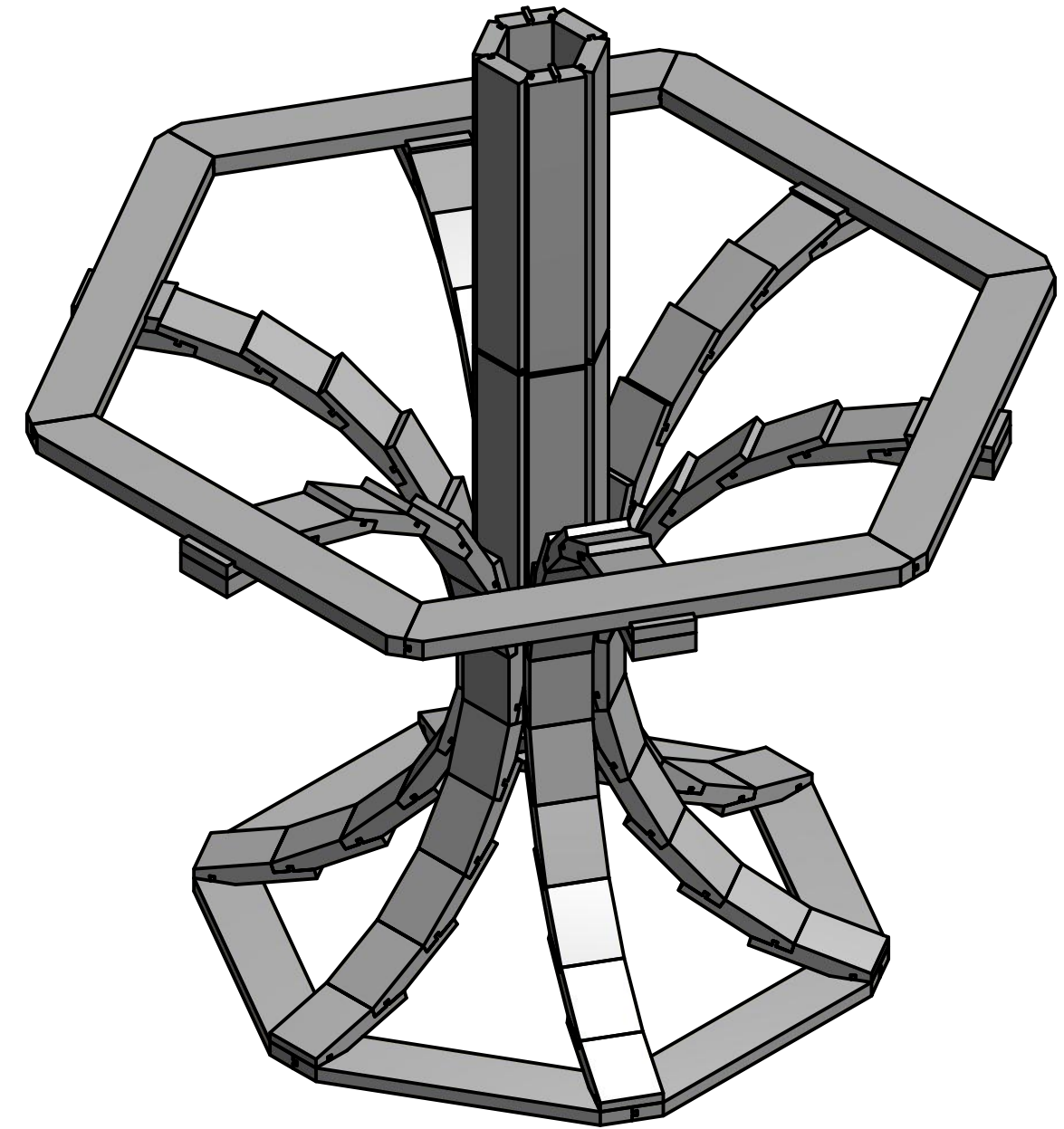
PRODUCED BY AN AUTODESK EDUCATIONAL PRODUCT

PRODUCED BY AN AUTODESK EDUCATIONAL PRODUCT

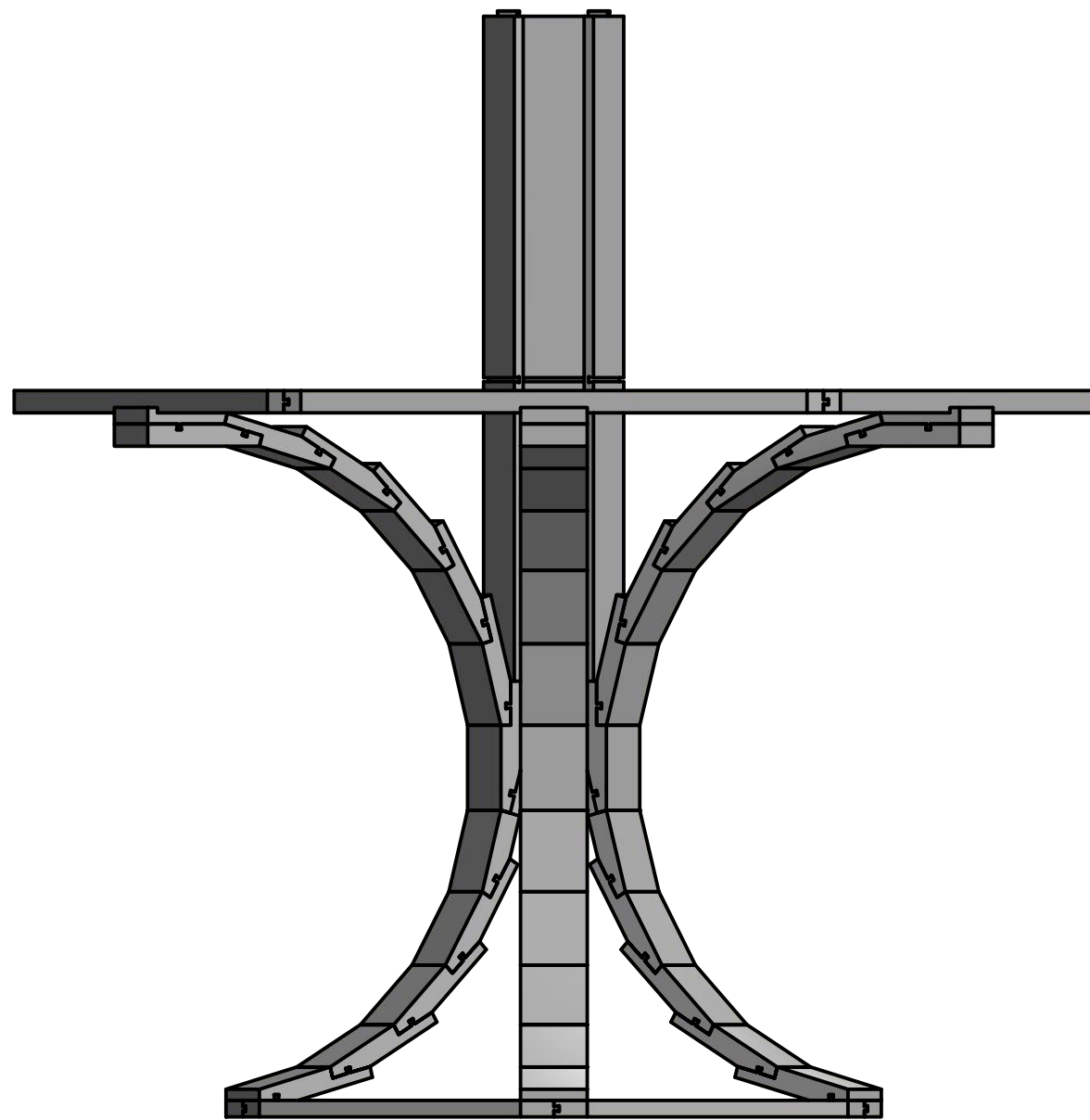
NIGHT STAND
ASSEMBLY STEP 9
(JOIN 6 H-PIECES TOGETHER ALONG ENDS
AND TO PREVIOUS ASSEMBLY ON H-PIECES)



TOP VIEW



ISOMETRIC VIEW



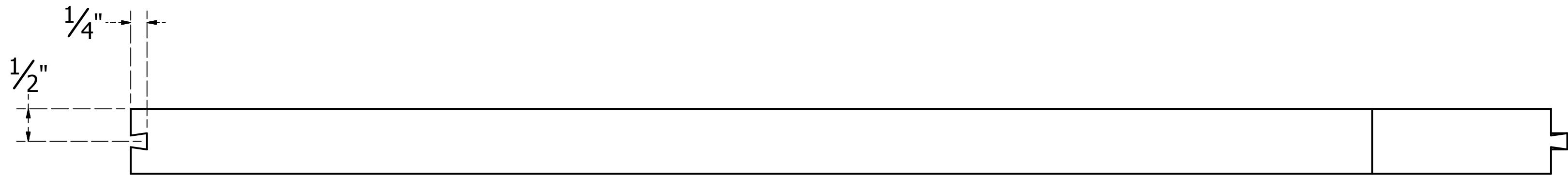
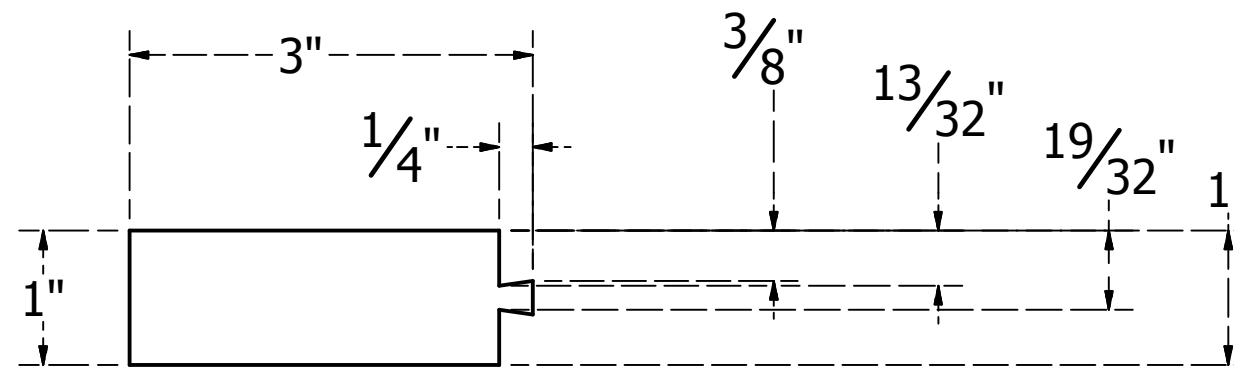
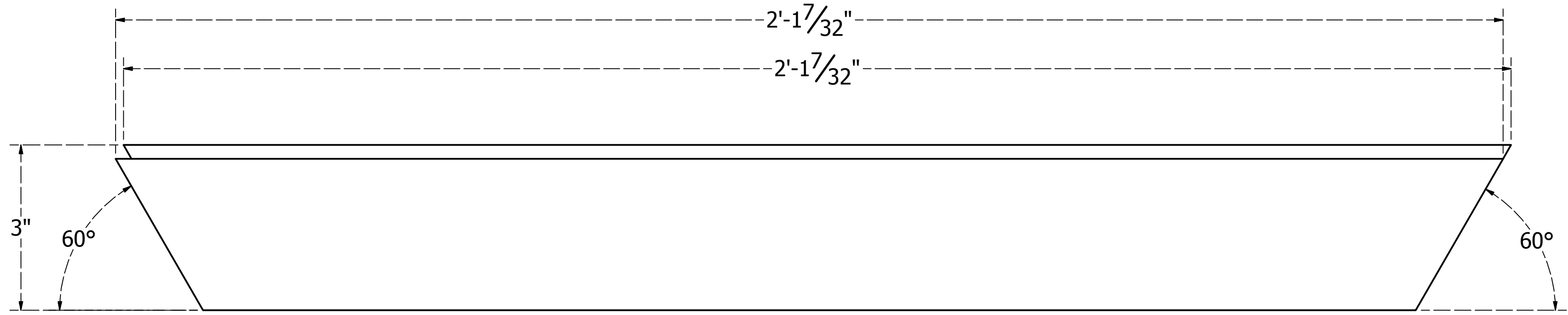
FRONT VIEW

DRAWN	12/9/2012	CHRIS ██████████ LOGSTON		
CHECKED		TITLE		
QA		NIGHT STAND		
MFG		SIZE	DWG NO	REV
APPROVED		C	lamp v4 assembly	
		SCALE	SHEET 20 OF 27	

PRODUCED BY AN AUTODESK EDUCATIONAL PRODUCT

PRODUCED BY AN AUTODESK EDUCATIONAL PRODUCT

NIGHT STAND
PIECE I
MAKE 6

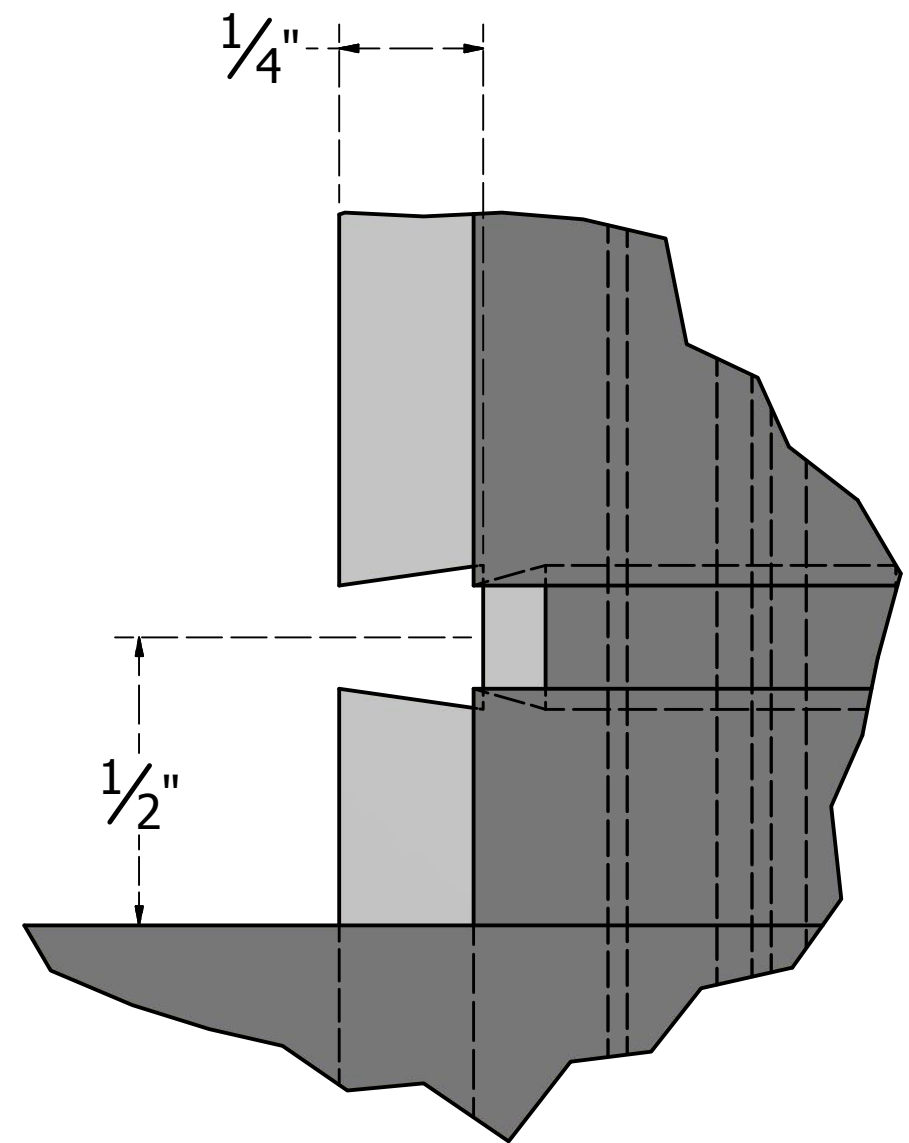
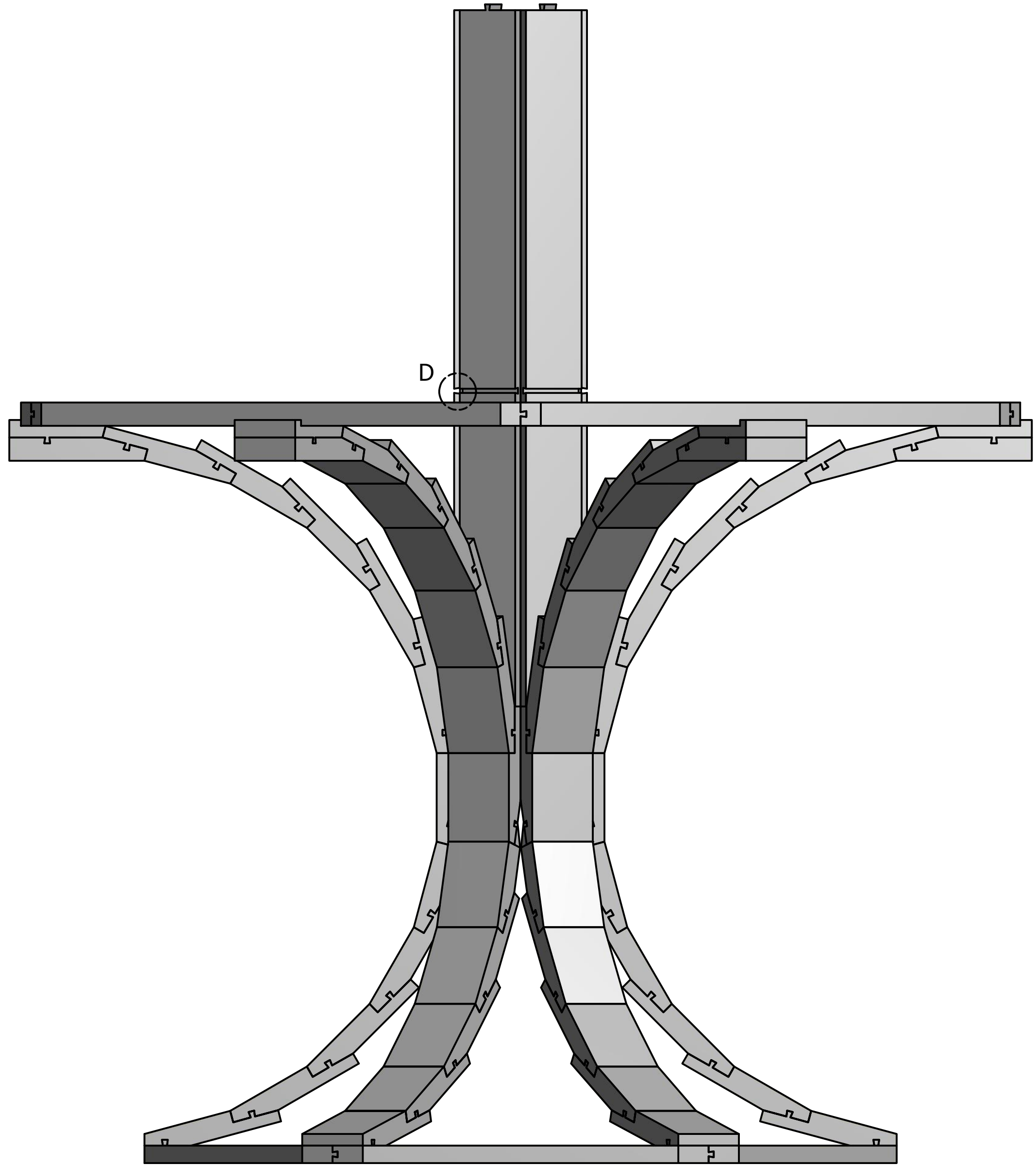


DRAWN	12/9/2012	CHRIS ██████████ LOGSTON		
CHECKED		TITLE		
QA		NIGHT STAND		
MFG		SIZE	DWG NO	REV
APPROVED		C	lamp v4 assembly	
		SCALE	SHEET 21 OF 27	

PRODUCED BY AN AUTODESK EDUCATIONAL PRODUCT

PRODUCED BY AN AUTODESK EDUCATIONAL PRODUCT

NIGHT STAND
SPECIAL ROUTE CUT
(6 ROUTER CUTS TOTAL)



DETAIL D
SCALE 3

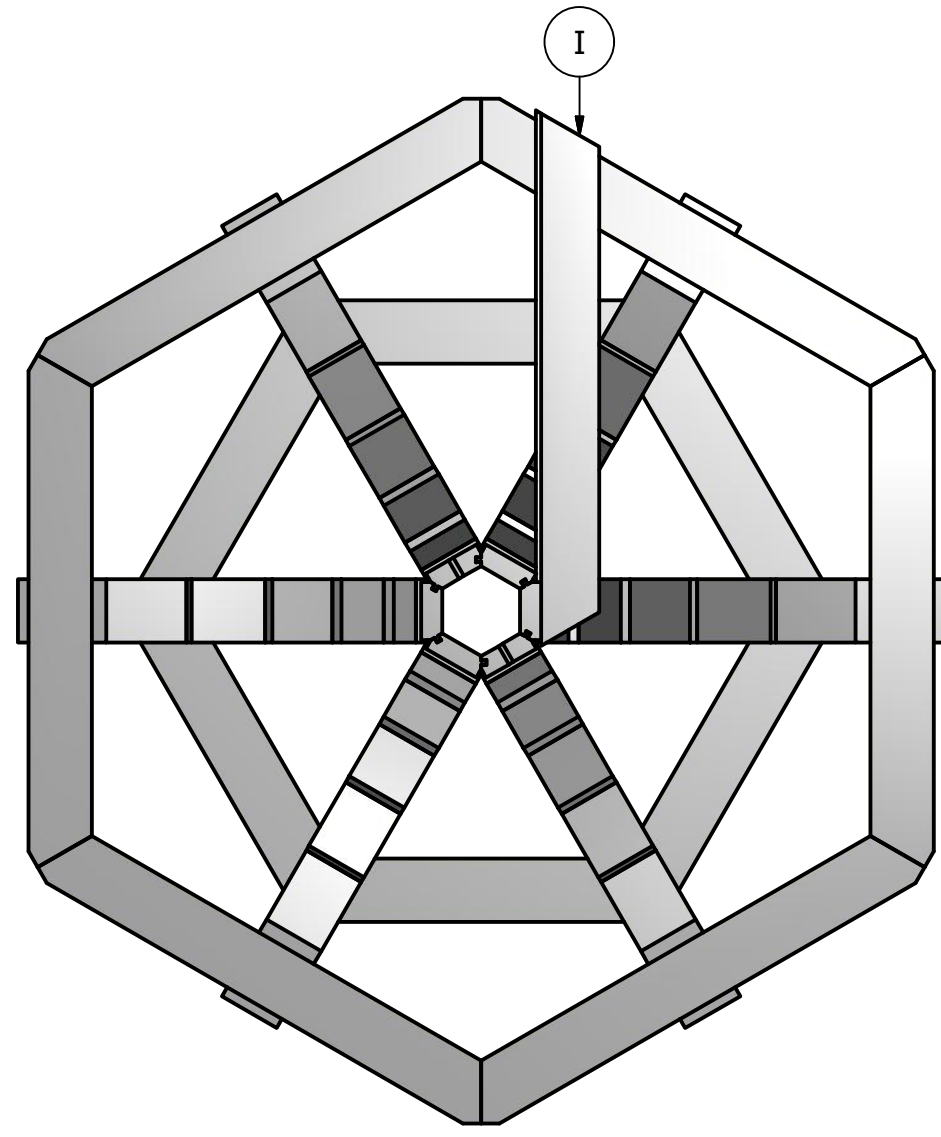
DRAWN	12/9/2012	CHRIS ██████████ LOGSTON		
CHECKED		TITLE		
QA		NIGHT STAND		
MFG		SIZE	DWG NO	REV
APPROVED		C	lamp v4 assembly	
		SCALE	SHEET 22 OF 27	

PRODUCED BY AN AUTODESK EDUCATIONAL PRODUCT

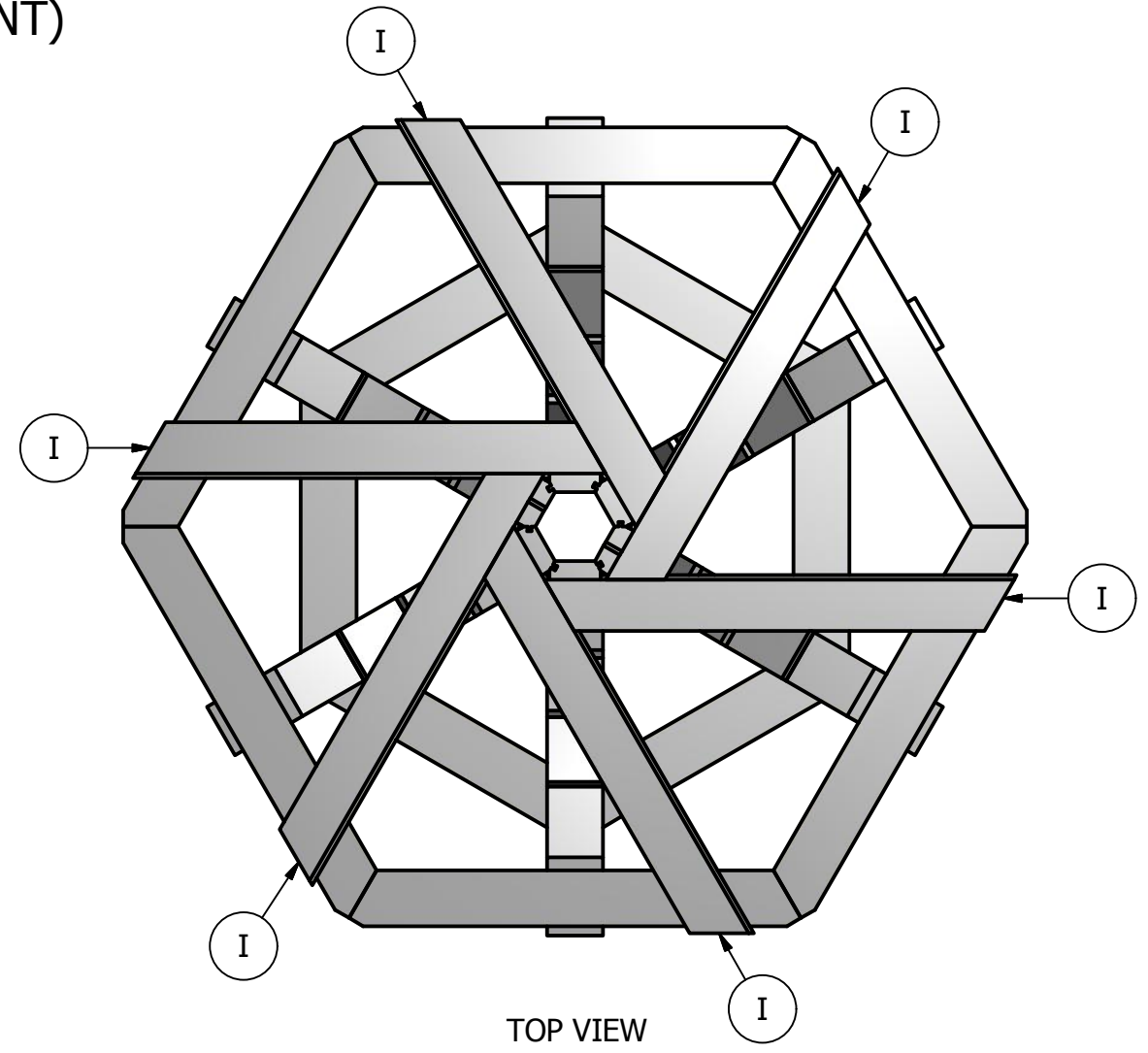
PRODUCED BY AN AUTODESK EDUCATIONAL PRODUCT

NIGHT STAND
ASSEMBLY STEP 10

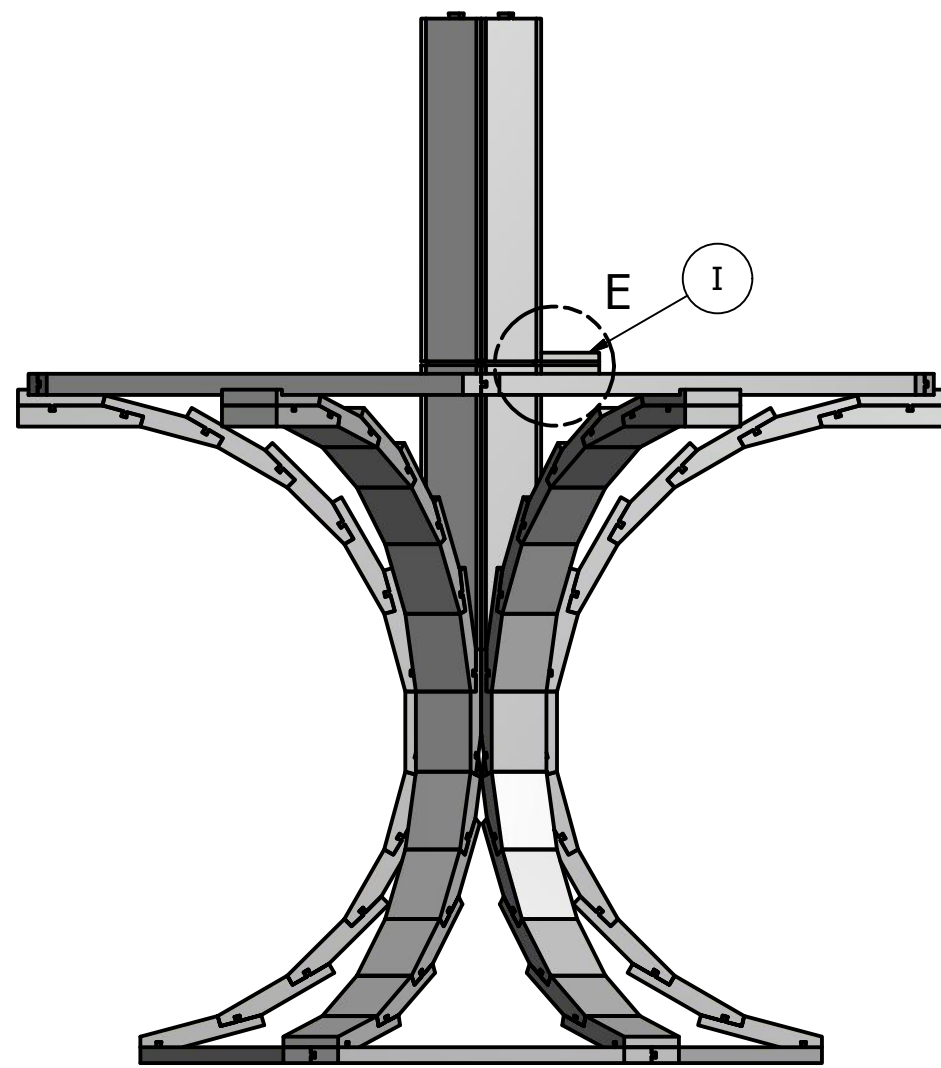
(JOIN 1 I-PIECE TO EACH OF THE 6 D-PIECES AT MID-JOINT)
(6TH JOINT WILL REQUIRE CUSTOM RECTANGLE JOINT)



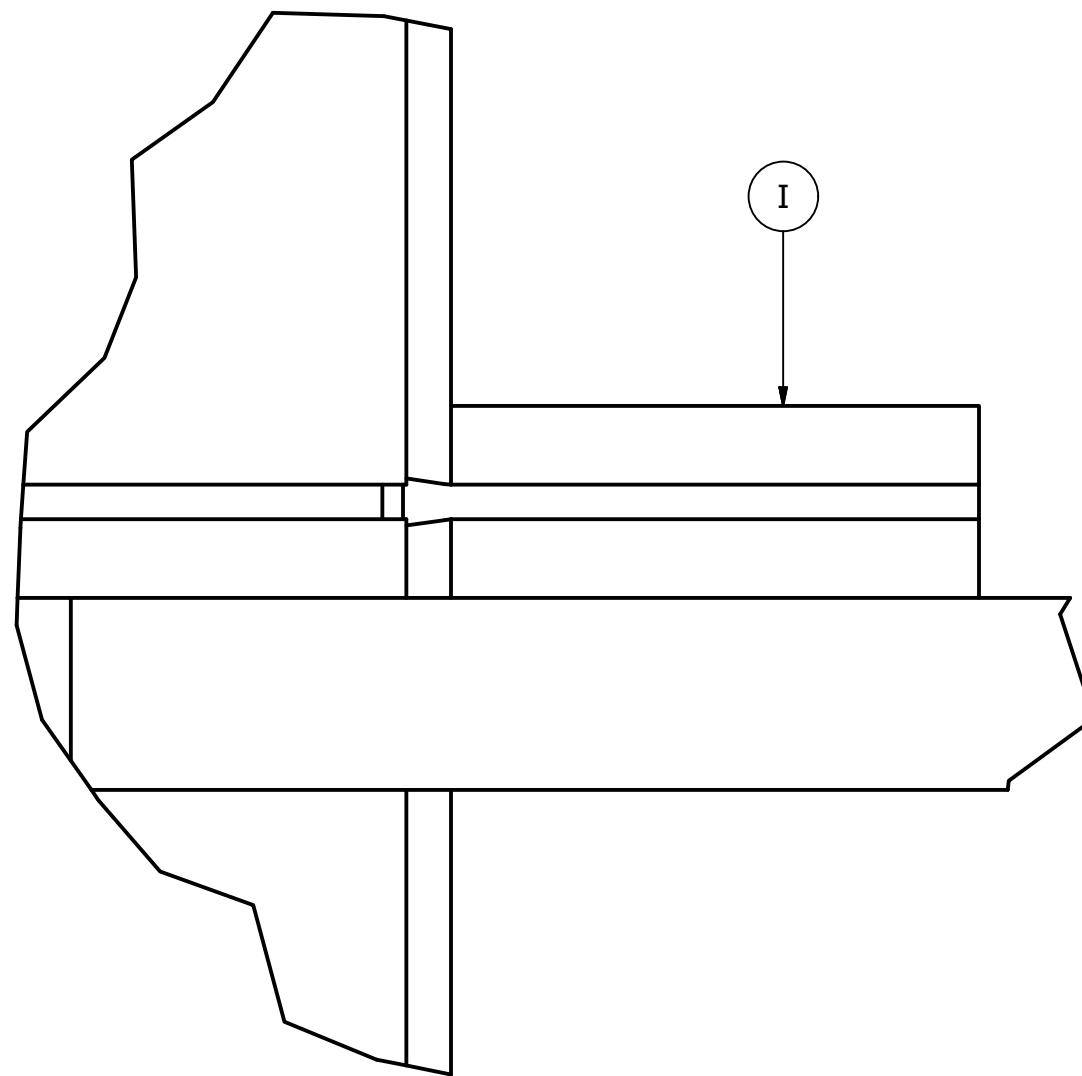
TOP VIEW



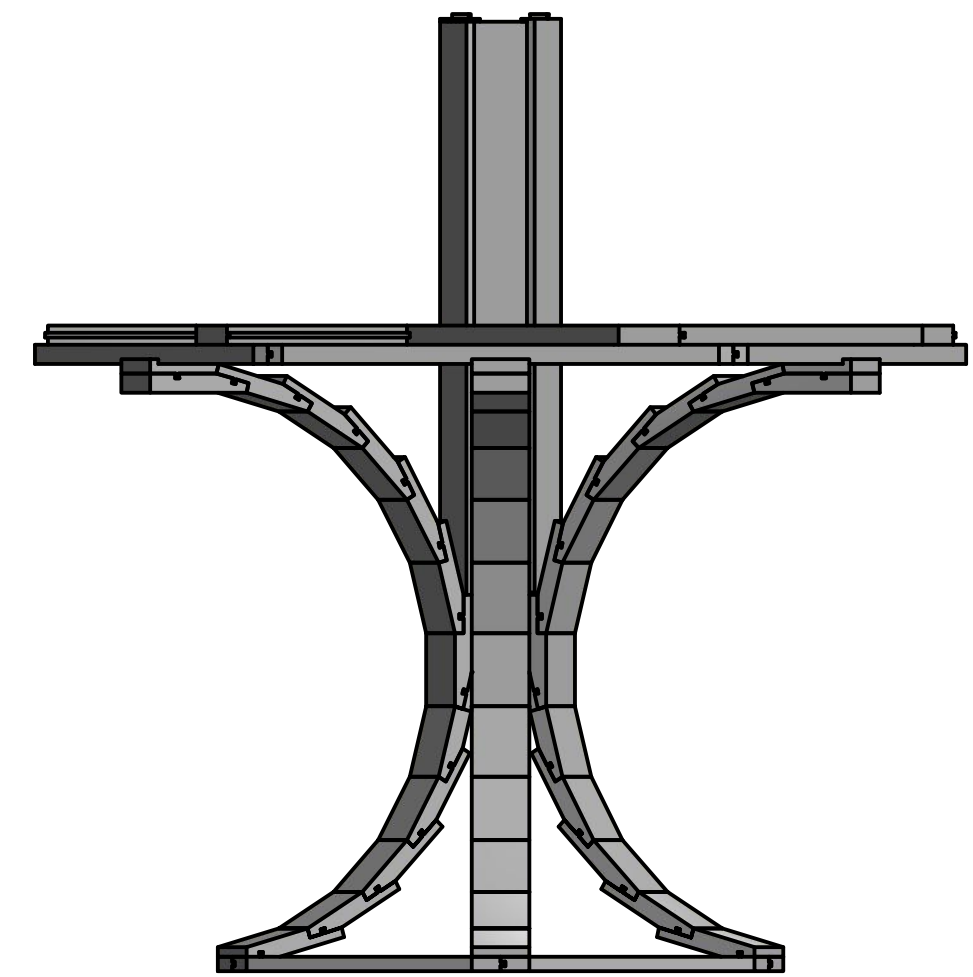
TOP VIEW



FRONT VIEW



DETAIL E
JOINT DETAIL

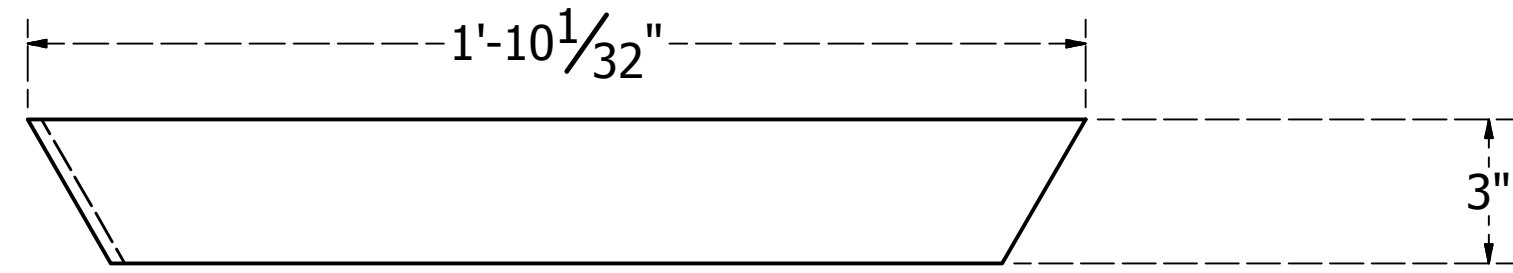


FRONT VIEW

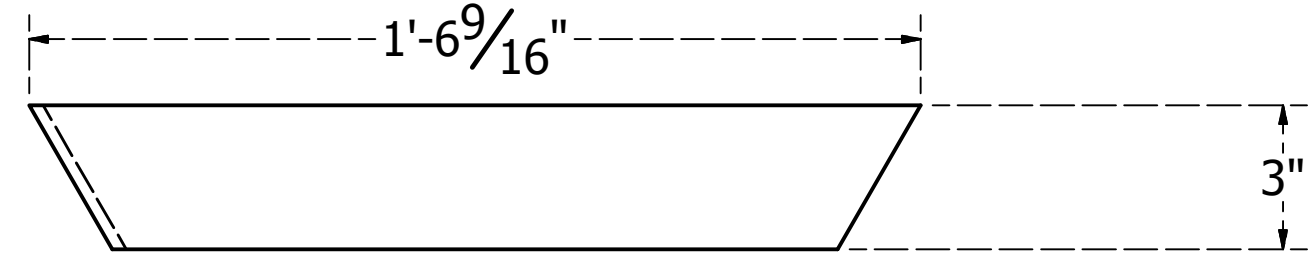
DRAWN	12/9/2012	CHRIS LOGSTON		
CHECKED		TITLE		
QA		NIGHT STAND		
MFG		SIZE	DWG NO	REV
APPROVED		C	lamp v4 assembly	
		SCALE	SHEET 23 OF 27	

NIGHT STAND
PIECES J - O
(TABLE TOP PIECES)
(MAKE 6 EACH)

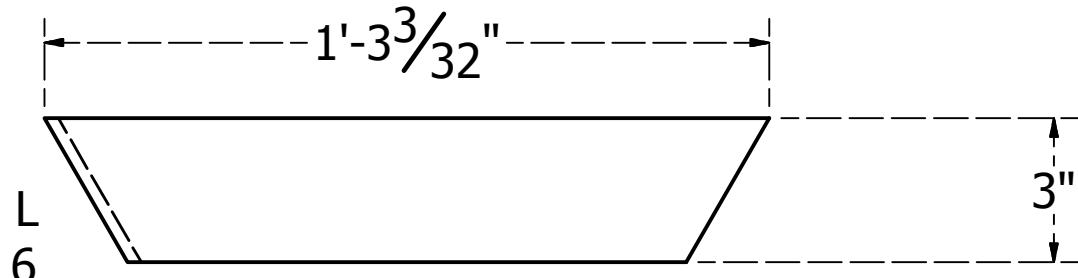
PIECE J
MAKE 6



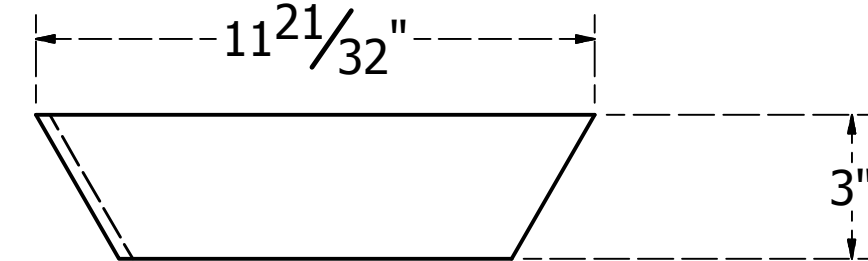
PIECE K
MAKE 6



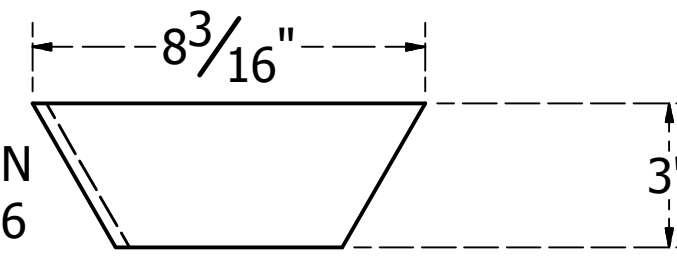
PIECE L
MAKE 6



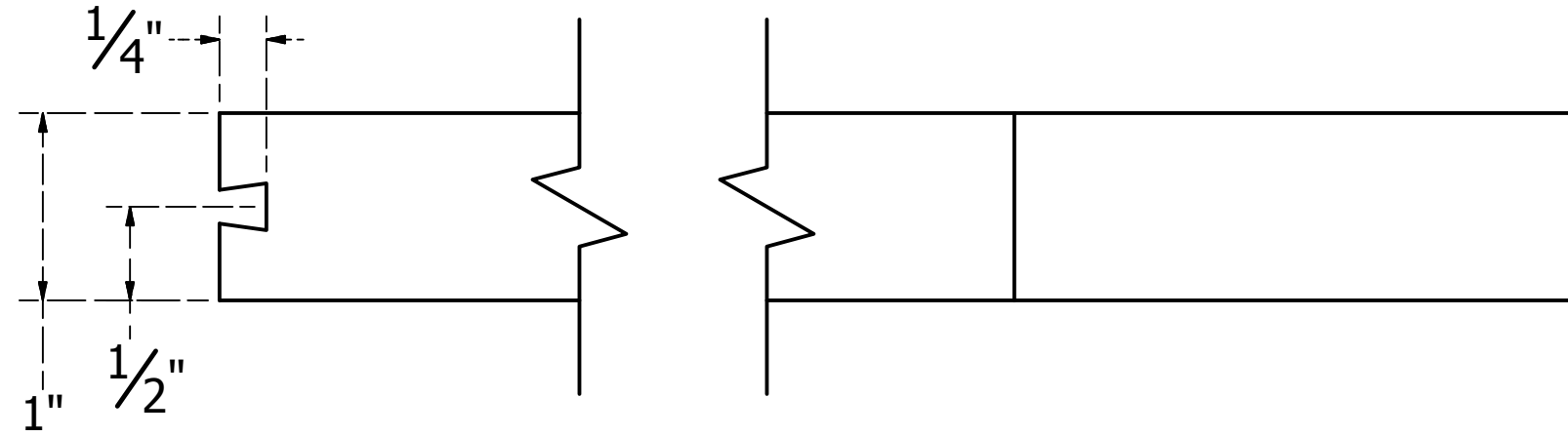
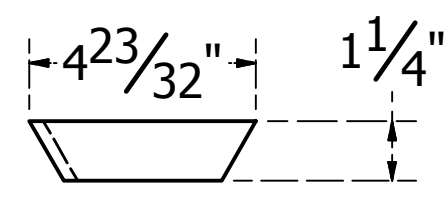
PIECE M
MAKE 6



PIECE N
MAKE 6



PIECE O
MAKE 6



END JOINT FOR PIECES J - O

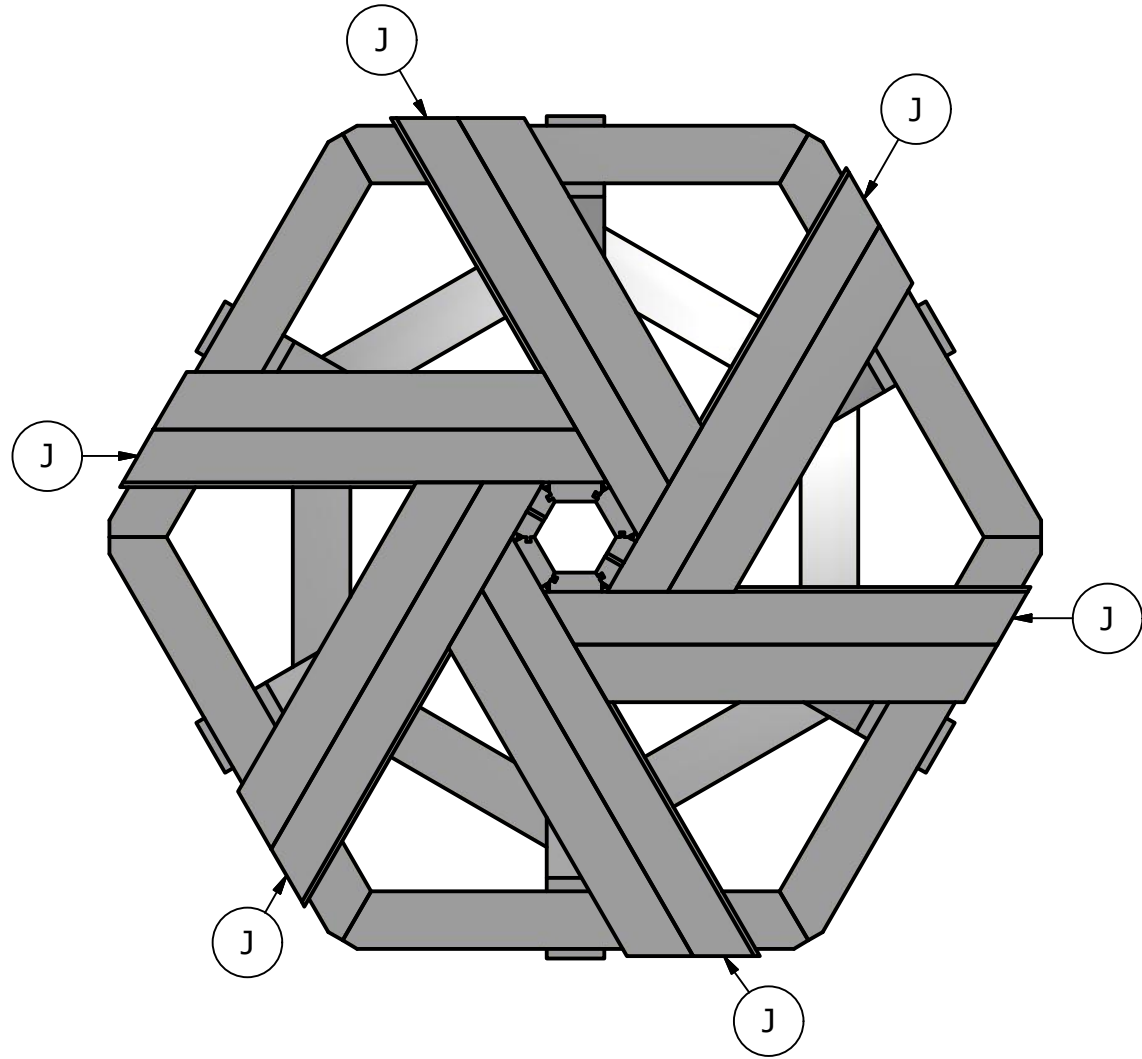
DRAWN	12/9/2012	CHRIS [REDACTED] LOGSTON		
CHECKED		TITLE		
QA		NIGHT STAND		
MFG		SIZE	DWG NO	REV
APPROVED		C	lamp v4 assembly	
		SCALE	SHEET 24 OF 27	

PRODUCED BY AN AUTODESK EDUCATIONAL PRODUCT

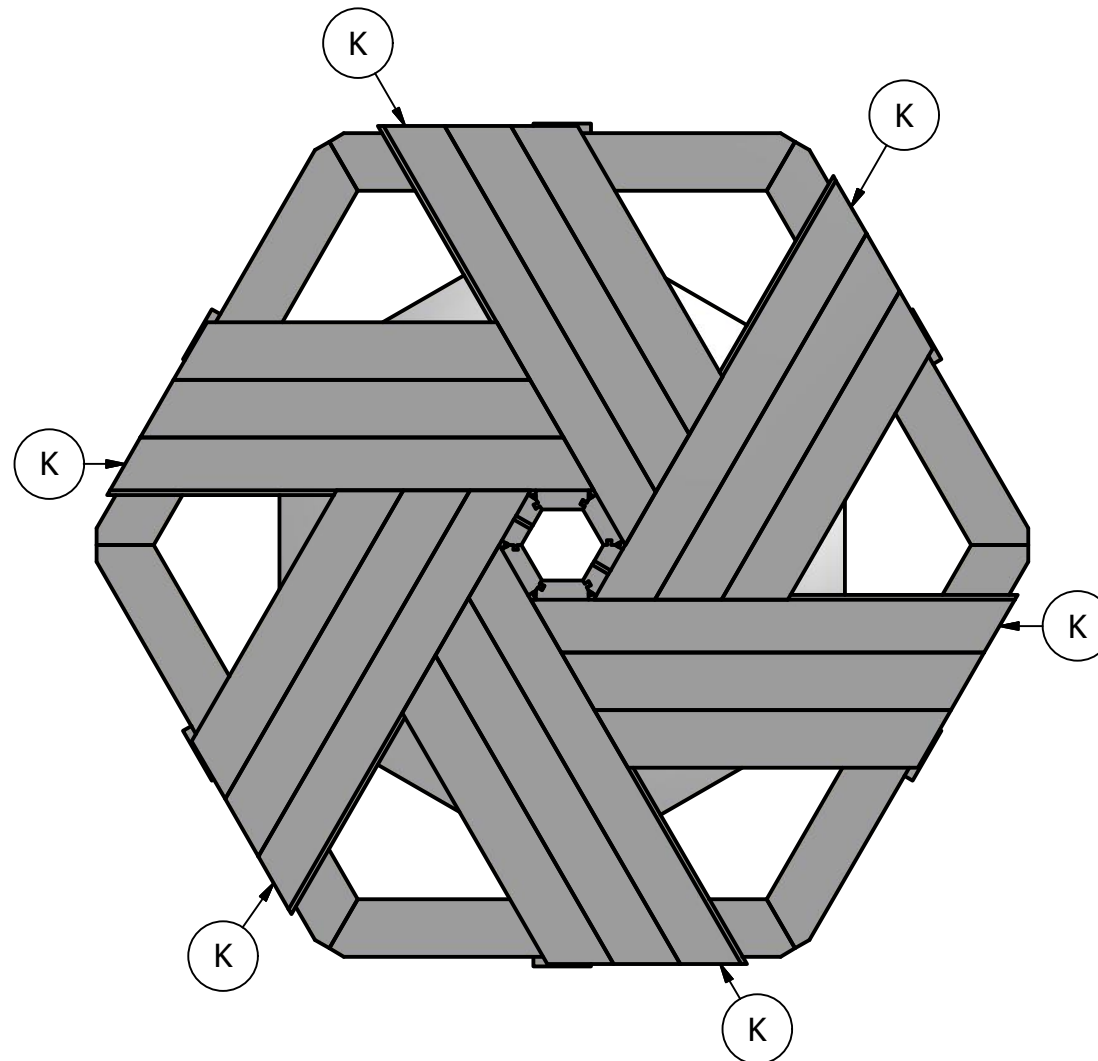
PRODUCED BY AN AUTODESK EDUCATIONAL PRODUCT

NIGHT STAND
ASSEMBLY STEP 11
(JOINT PIECES J-O AS SHOWN BELOW)

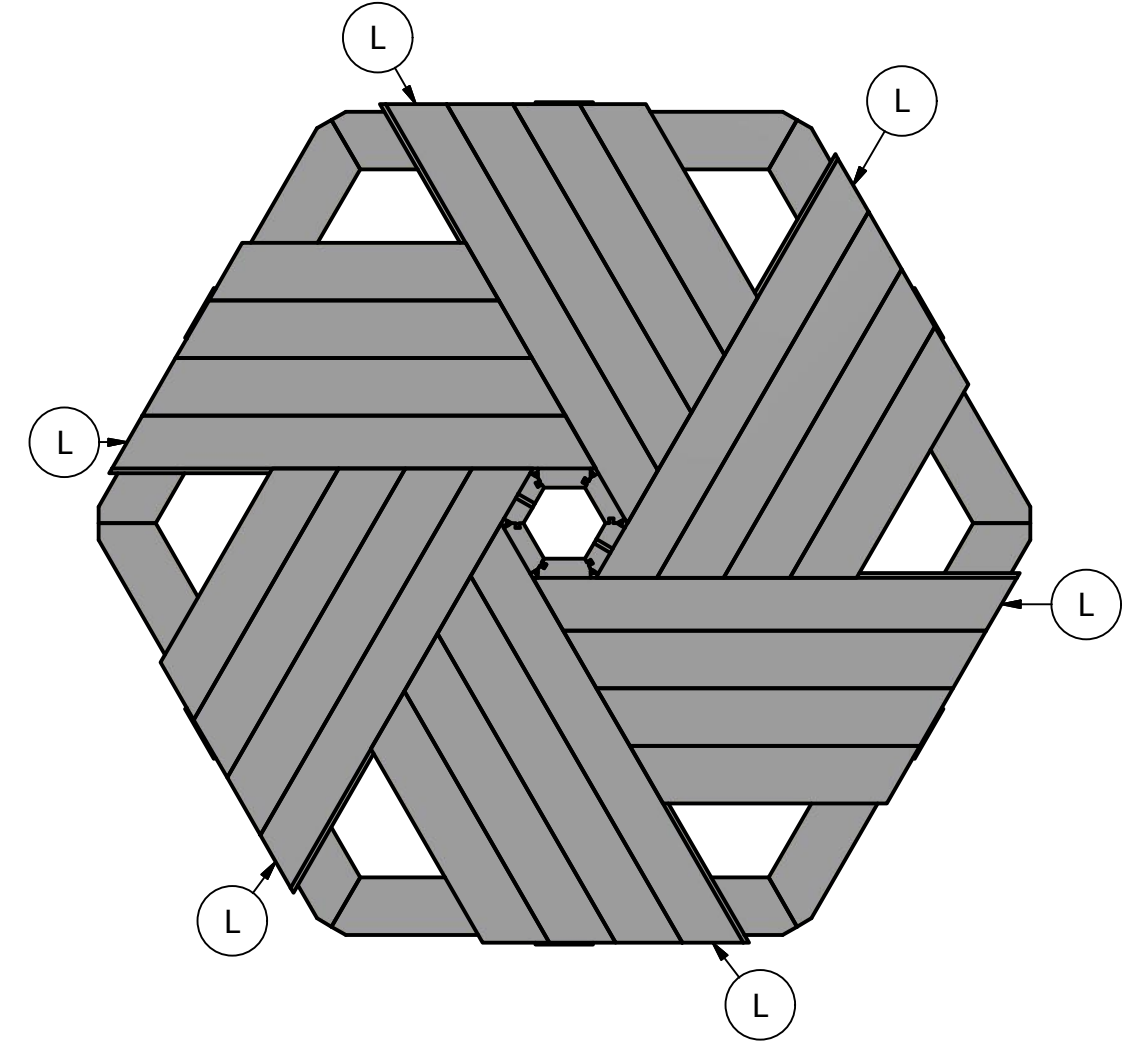
JOIN PIECE J X6



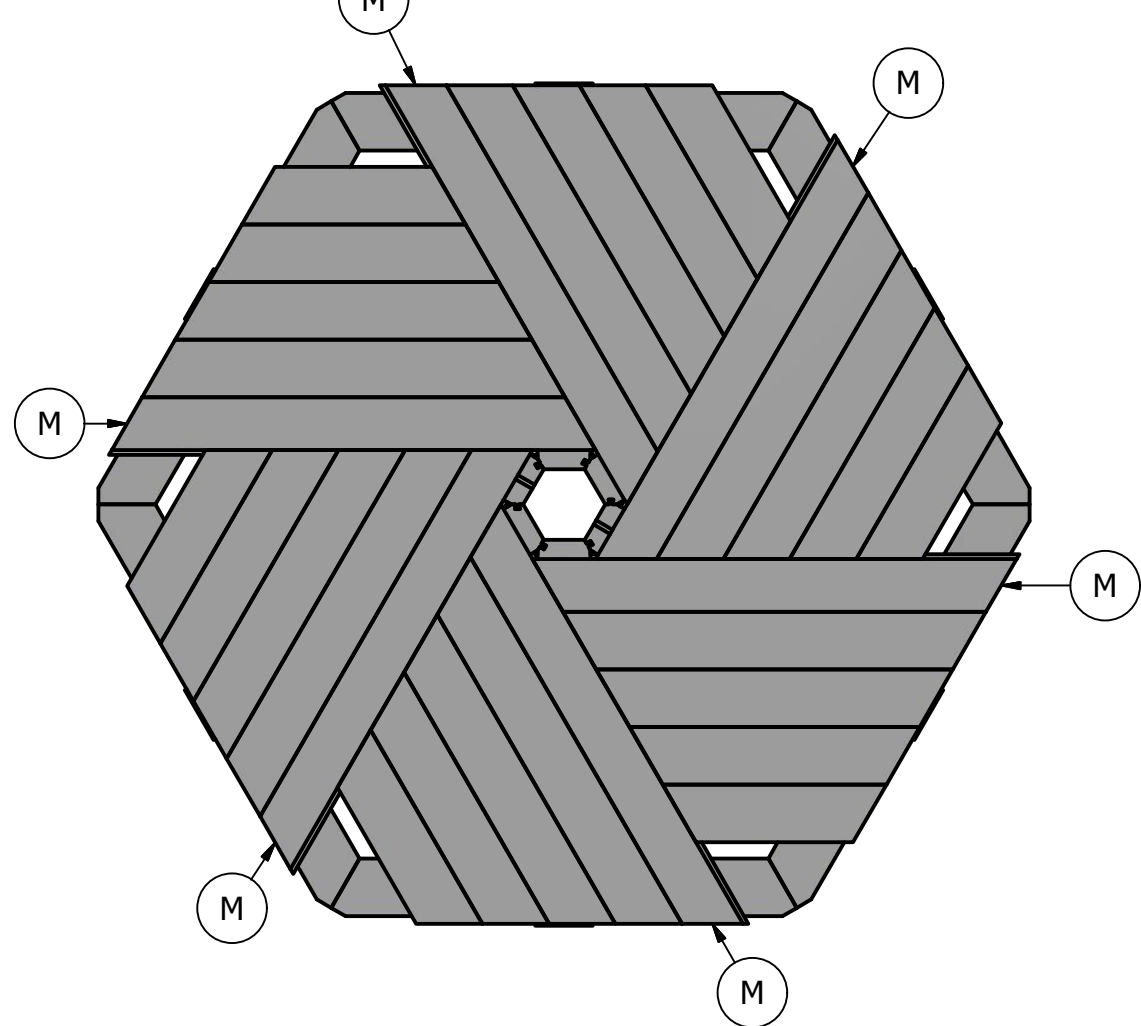
JOIN PIECE K X6



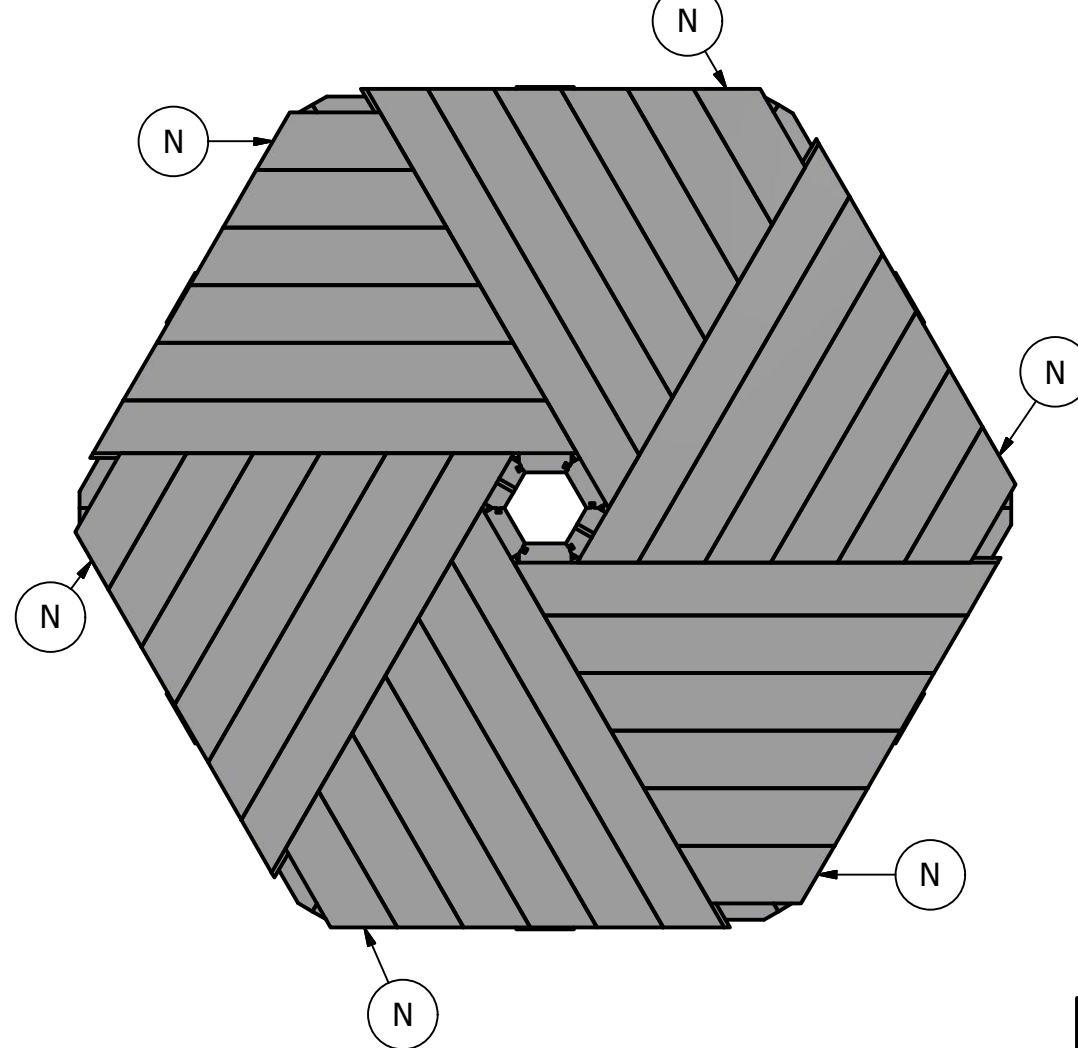
JOIN PIECE L X6



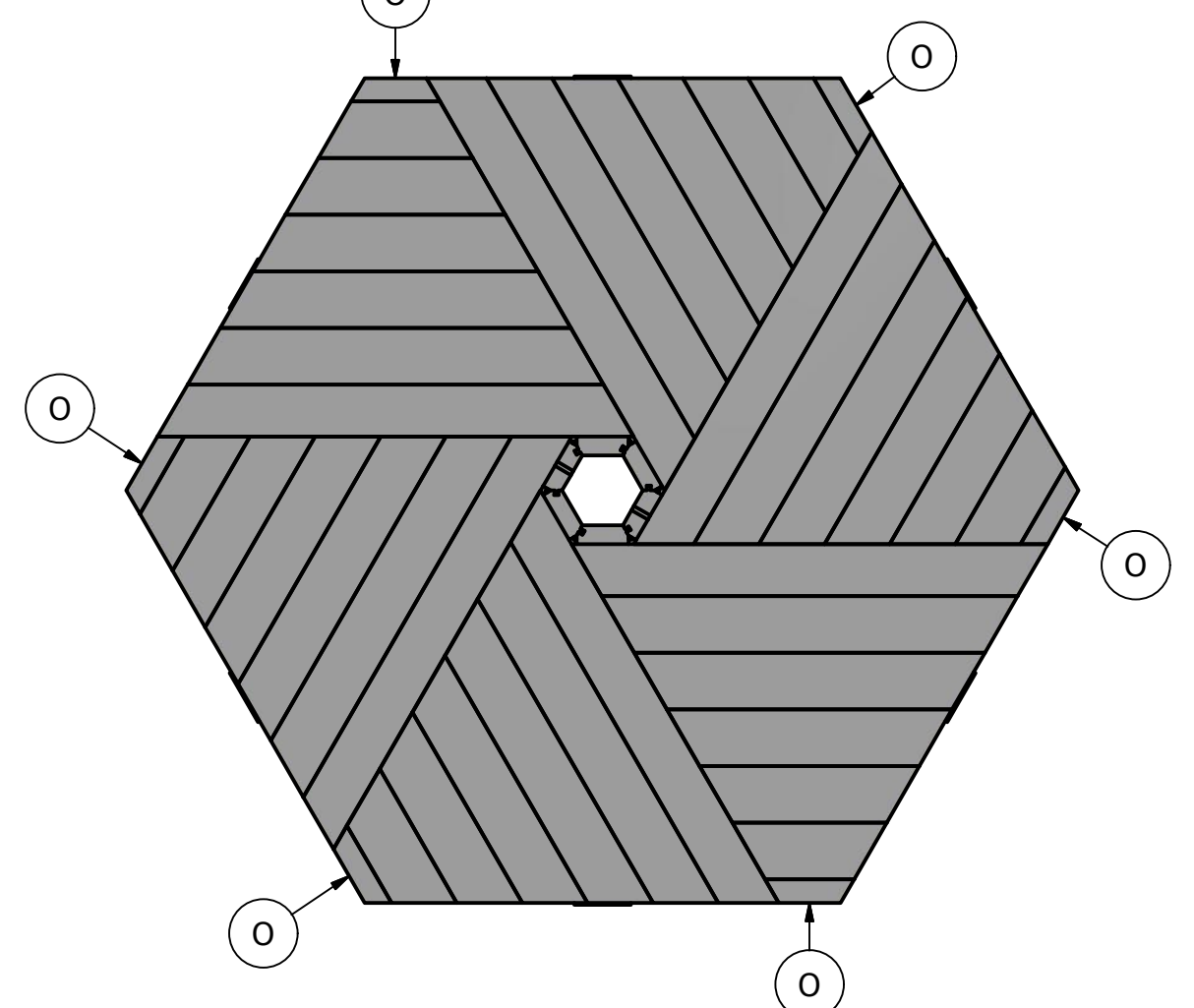
JOIN PIECE M X6



JOIN PIECE N X6



JOIN PIECE O X6

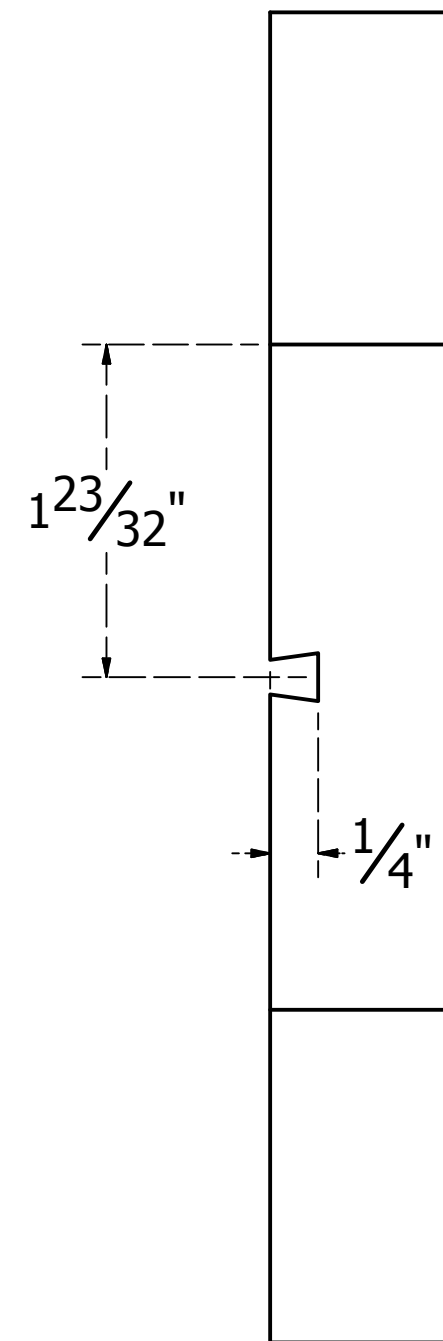
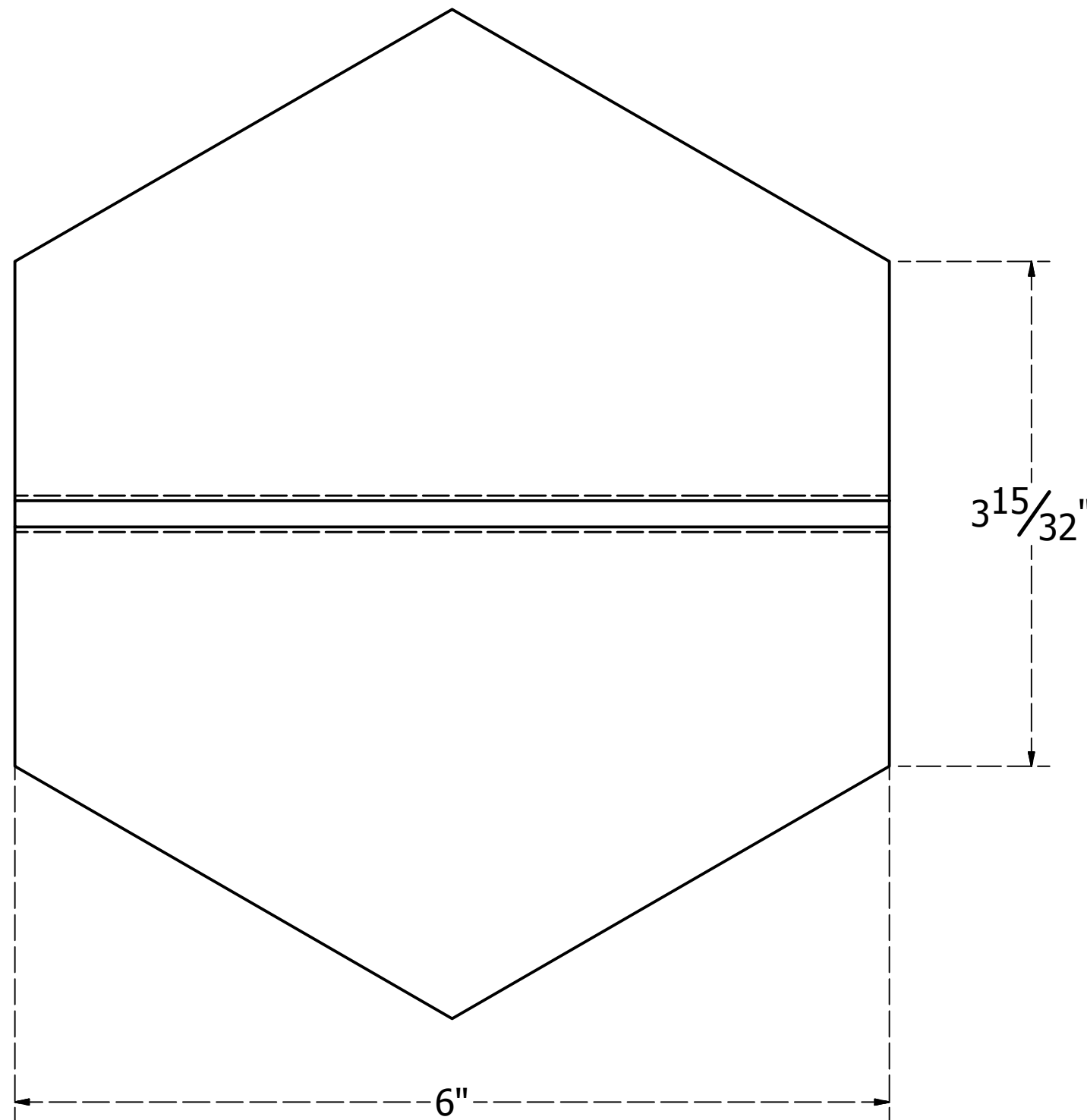


DRAWN	12/9/2012	CHRIS ██████████ LOGSTON		
CHECKED		TITLE		
QA		NIGHT STAND		
MFG		SIZE	DWG NO	REV
APPROVED		C	lamp v4 assembly	
		SCALE	SHEET 25 OF 27	

PRODUCED BY AN AUTODESK EDUCATIONAL PRODUCT

PRODUCED BY AN AUTODESK EDUCATIONAL PRODUCT

NIGHT STAND
PIECE P
MAKE 1

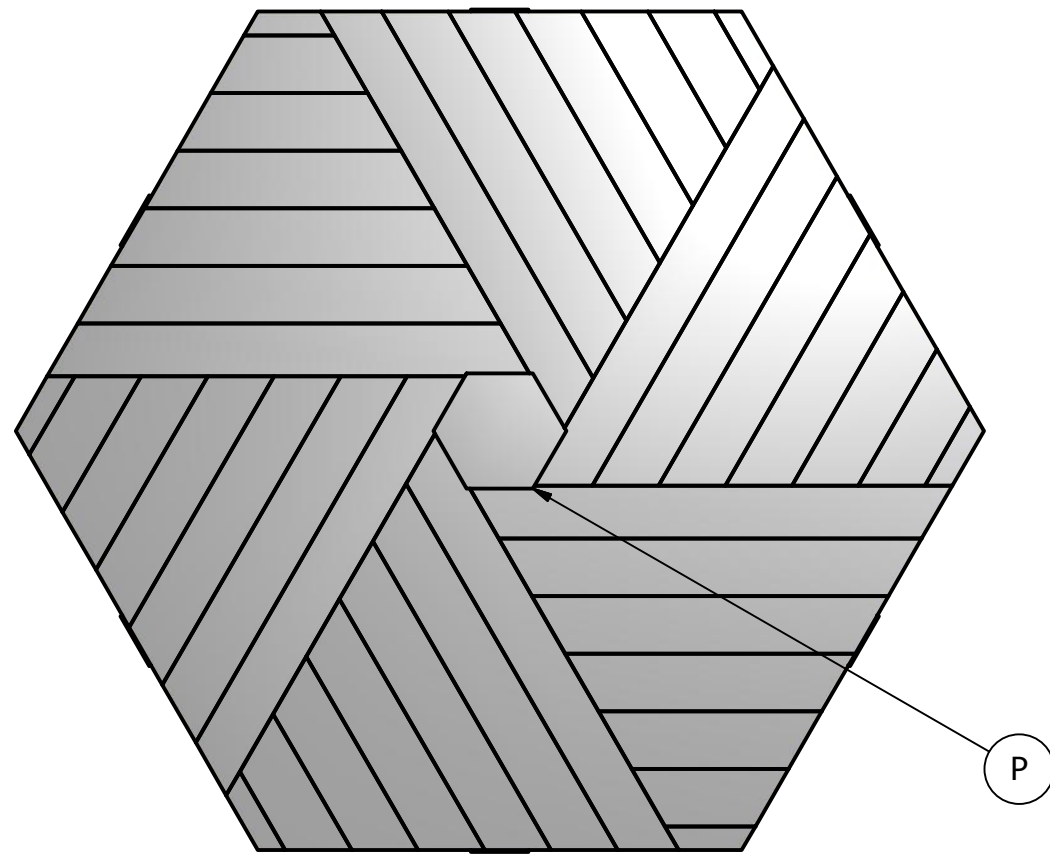


DRAWN	12/9/2012	CHRIS ██████████ LOGSTON		
CHECKED		TITLE		
QA		NIGHT STAND		
MFG		SIZE	DWG NO	REV
APPROVED		C	lamp v4 assembly	
		SCALE	SHEET 26 OF 27	

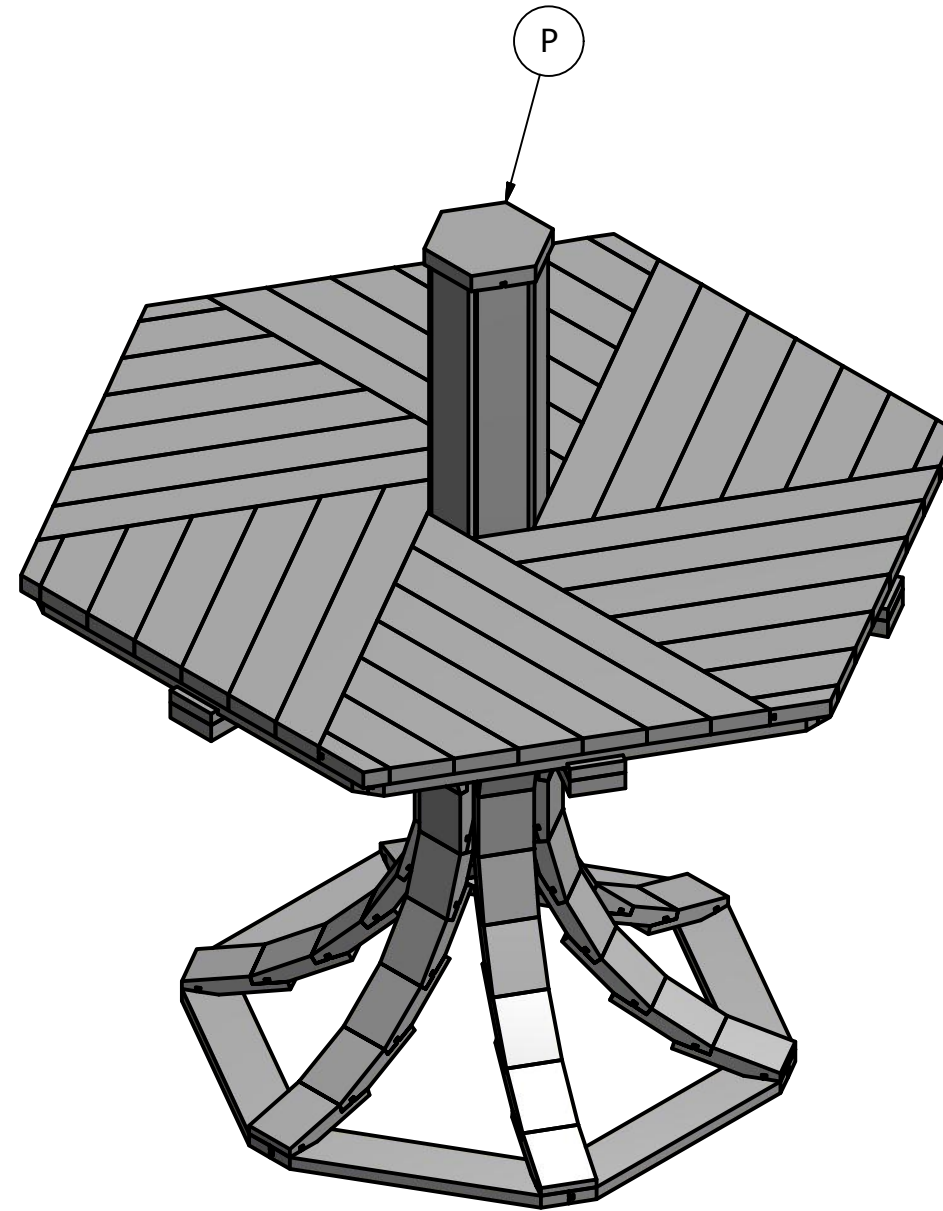
PRODUCED BY AN AUTODESK EDUCATIONAL PRODUCT

PRODUCED BY AN AUTODESK EDUCATIONAL PRODUCT

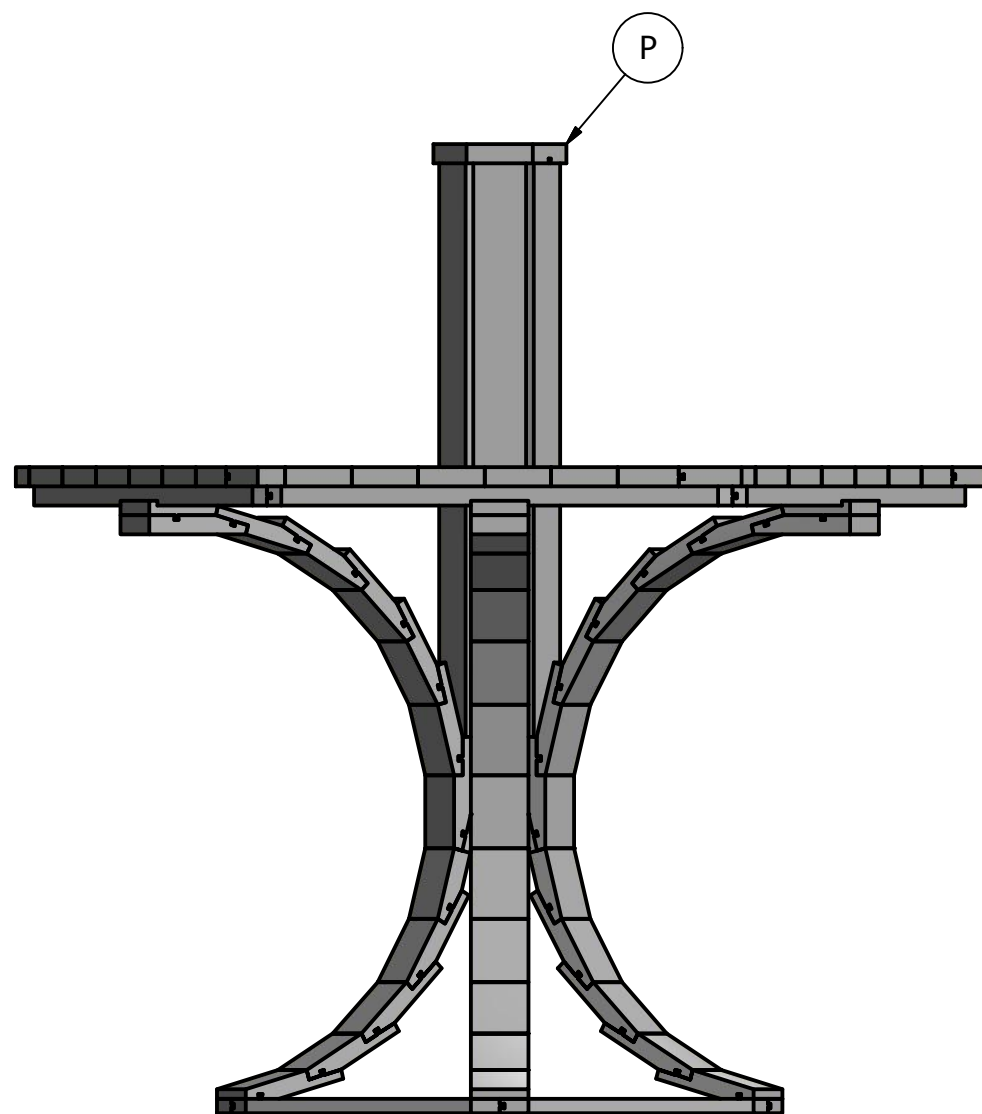
NIGHT STAND
ASSEMBLY STEP 12
(JOINT PEICE P TO D-PIECES)



TOP VIEW



ISOMETRIC VIEW



FRONT VIEW

DRAWN	12/9/2012	CHRIS ██████████ LOGSTON		
CHECKED		TITLE		
QA		NIGHT STAND		
MFG		SIZE	DWG NO	REV
APPROVED		C	lamp v4 assembly	
		SCALE	SHEET 27 OF 27	

PRODUCED BY AN AUTODESK EDUCATIONAL PRODUCT

PRODUCED BY AN AUTODESK EDUCATIONAL PRODUCT