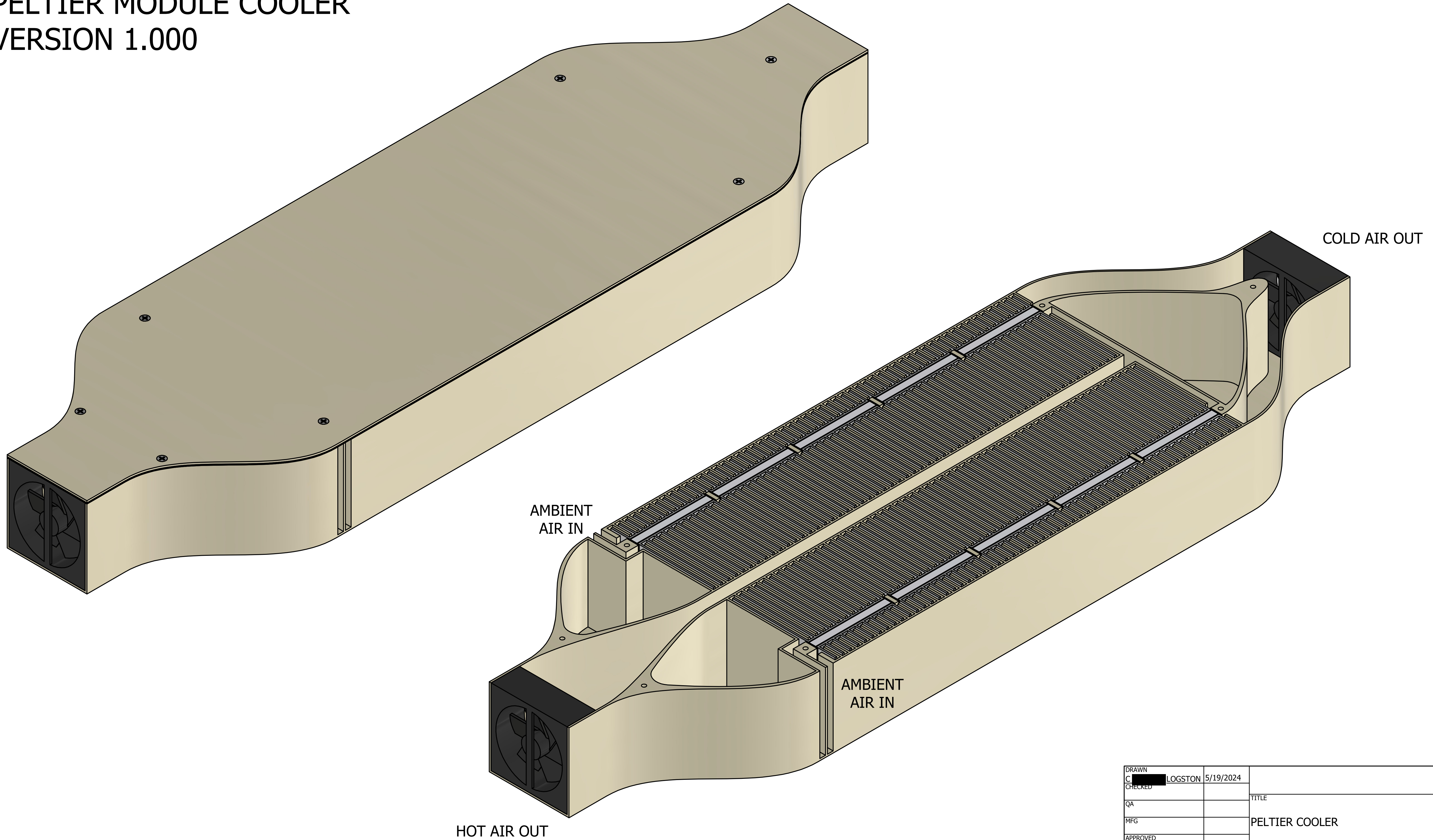
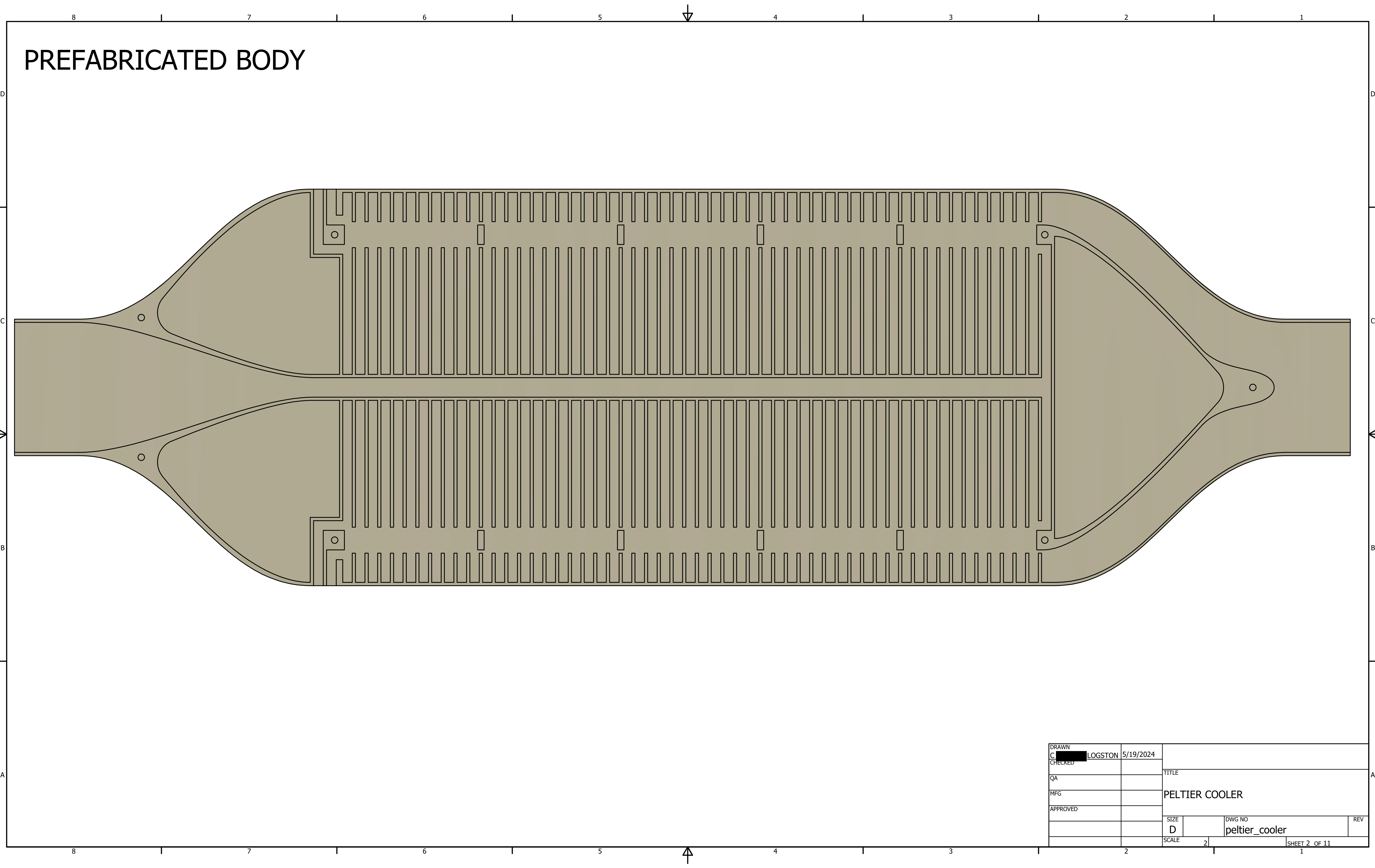


PELTIER MODULE COOLER VERSION 1.000



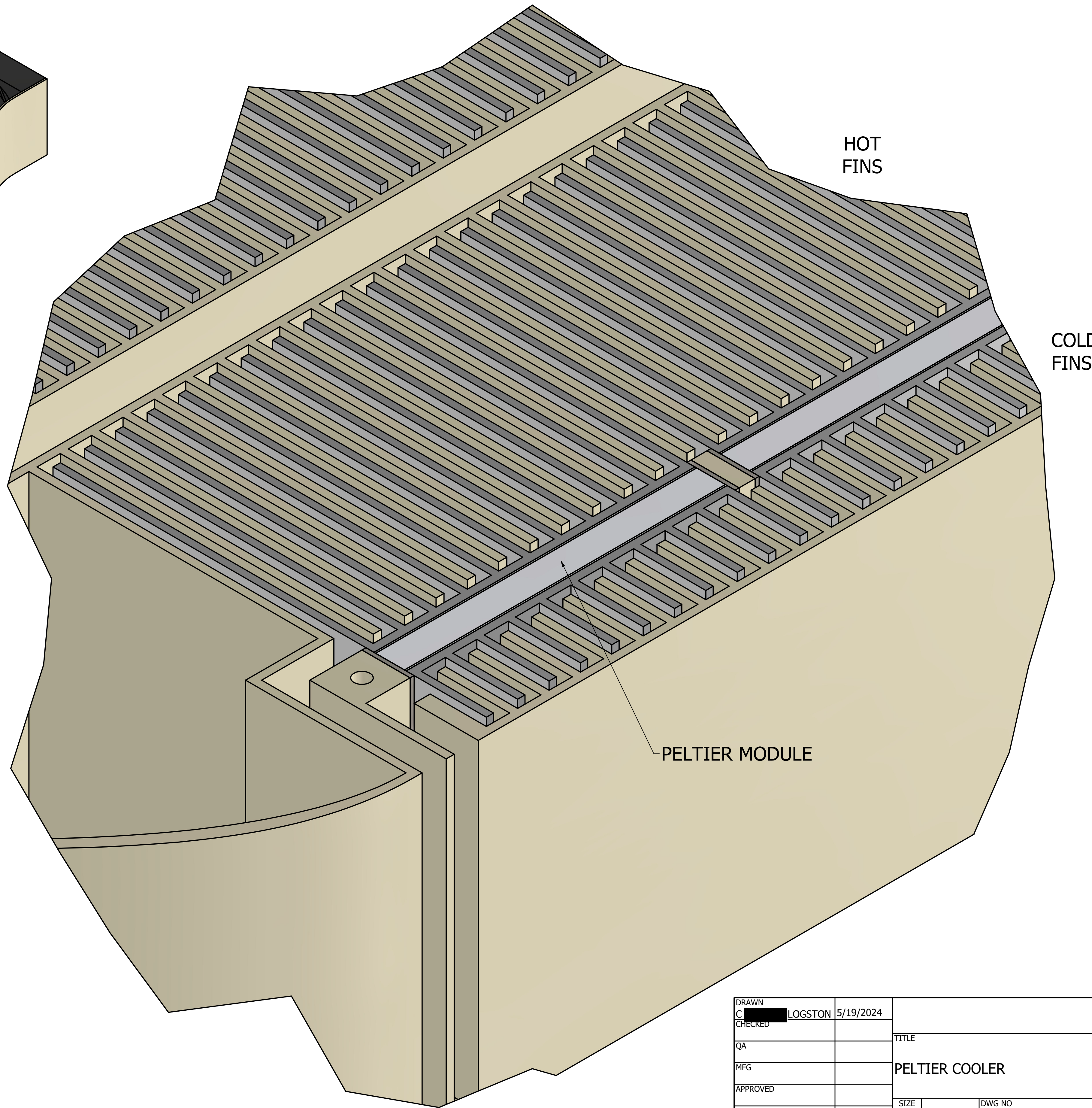
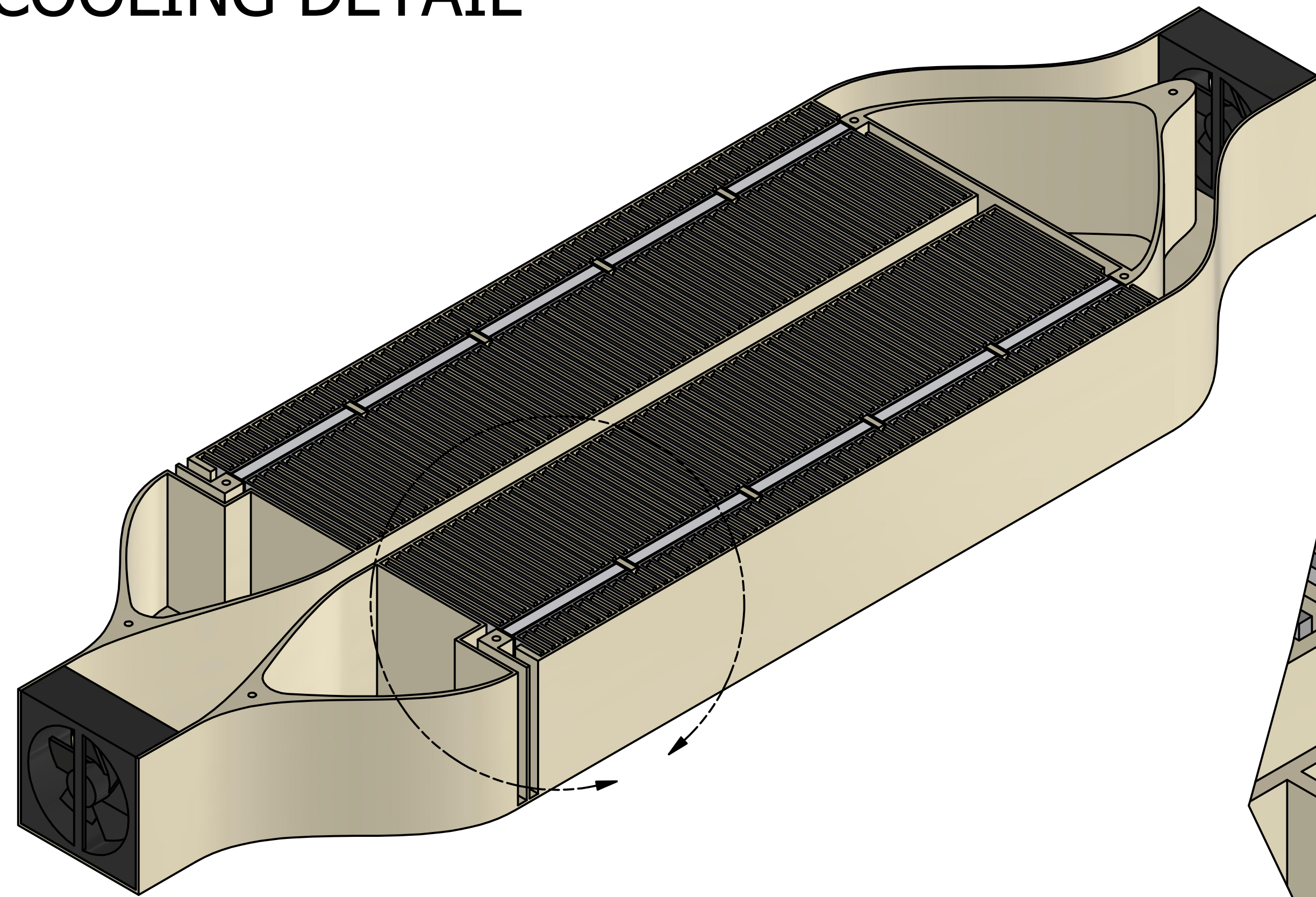
DRAWN	LOGSTON	5/19/2024		
CHECKED			TITLE	
QA			PELTIER COOLER	
MFG			SIZE	DWG NO
APPROVED			D	peltier_cooler
			SCALE	1.5
			SHEET 1 OF 11	

PREFABRICATED BODY



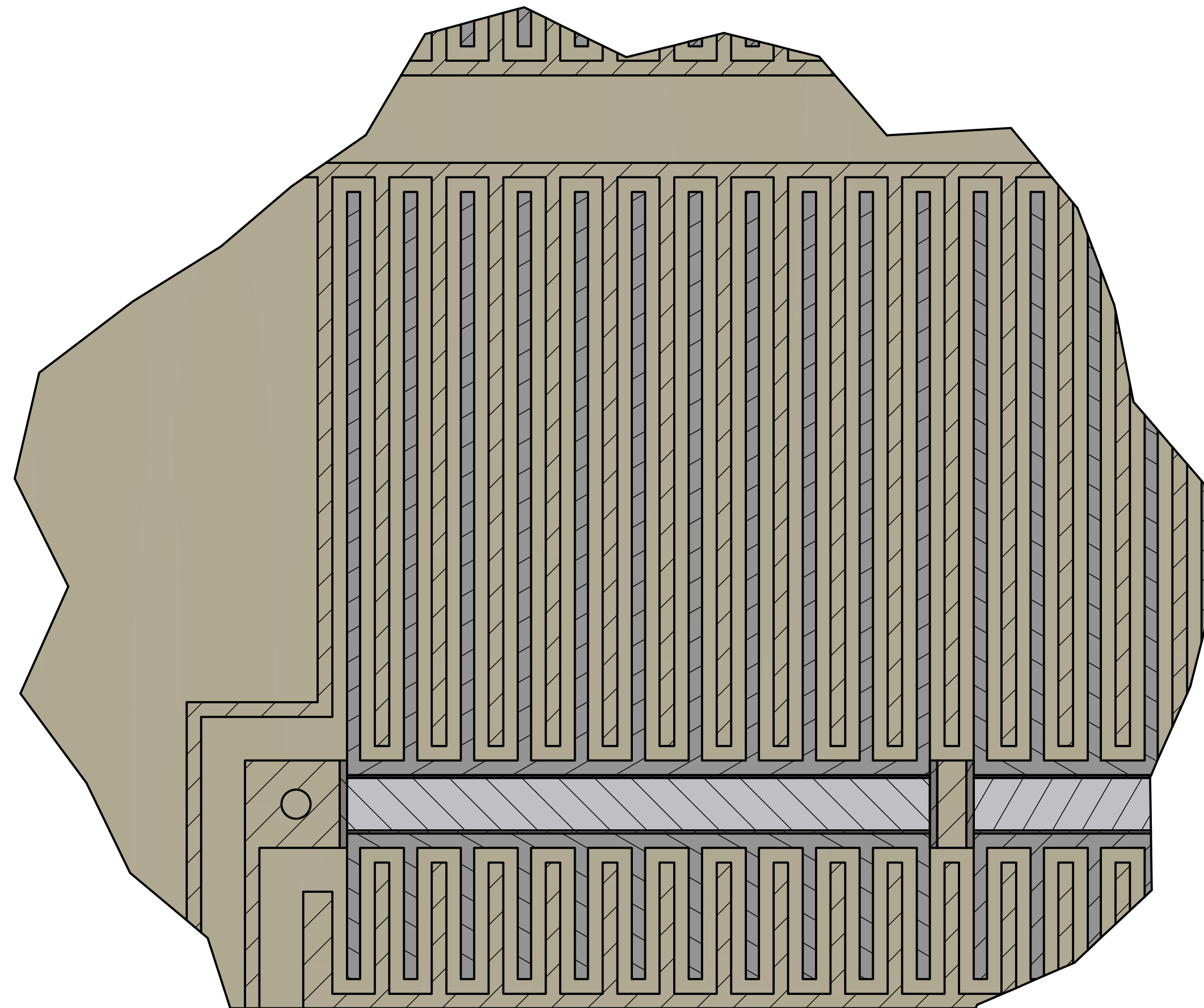
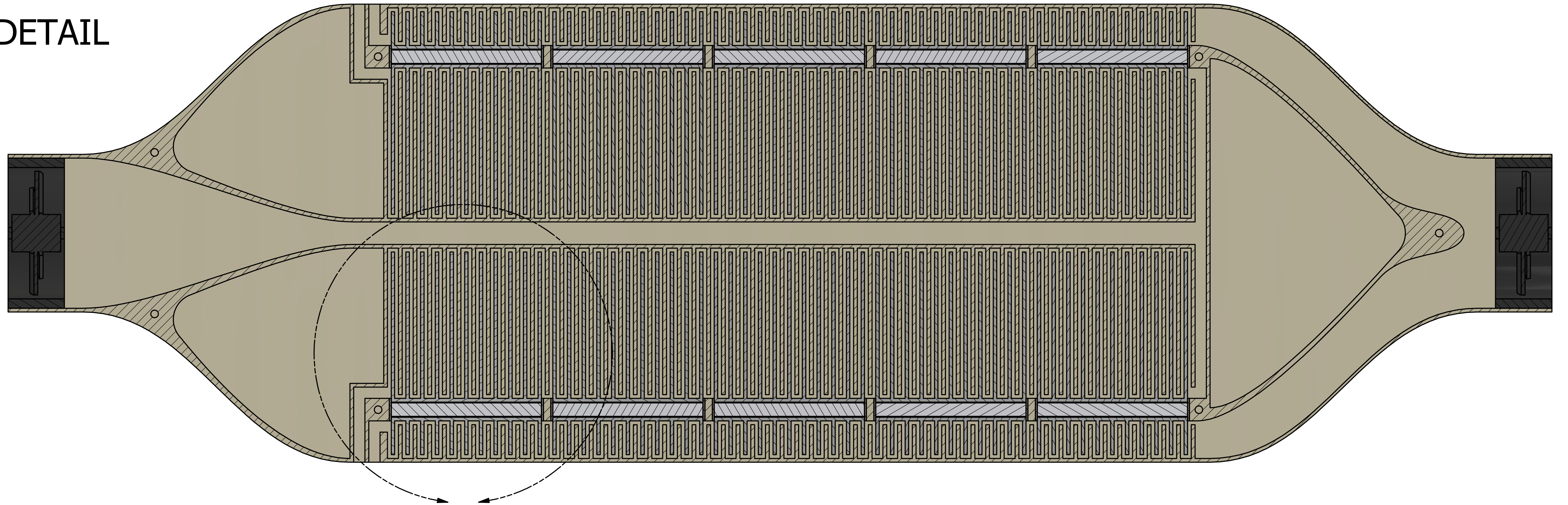
DRAWN	LOGSTON	5/19/2024		
CHECKED			TITLE	
QA			PELTIER COOLER	
MFG			SIZE	DWG NO
APPROVED			D	peltier_cooler
			SCALE	2
				REV
				SHEET 2 OF 11

COOLING DETAIL



DRAWN	LOGSTON	5/19/2024		
CHECKED			TITLE	
QA			PELTIER COOLER	
MFG			SIZE	DWG NO
APPROVED			D	peltier_cooler
			SCALE	1
				SHEET 3 OF 11

FIN DETAIL



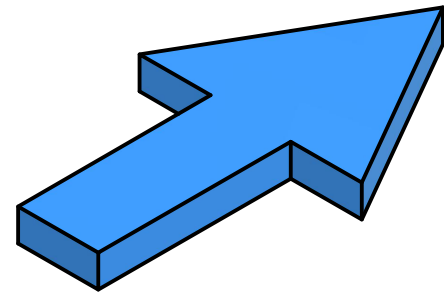
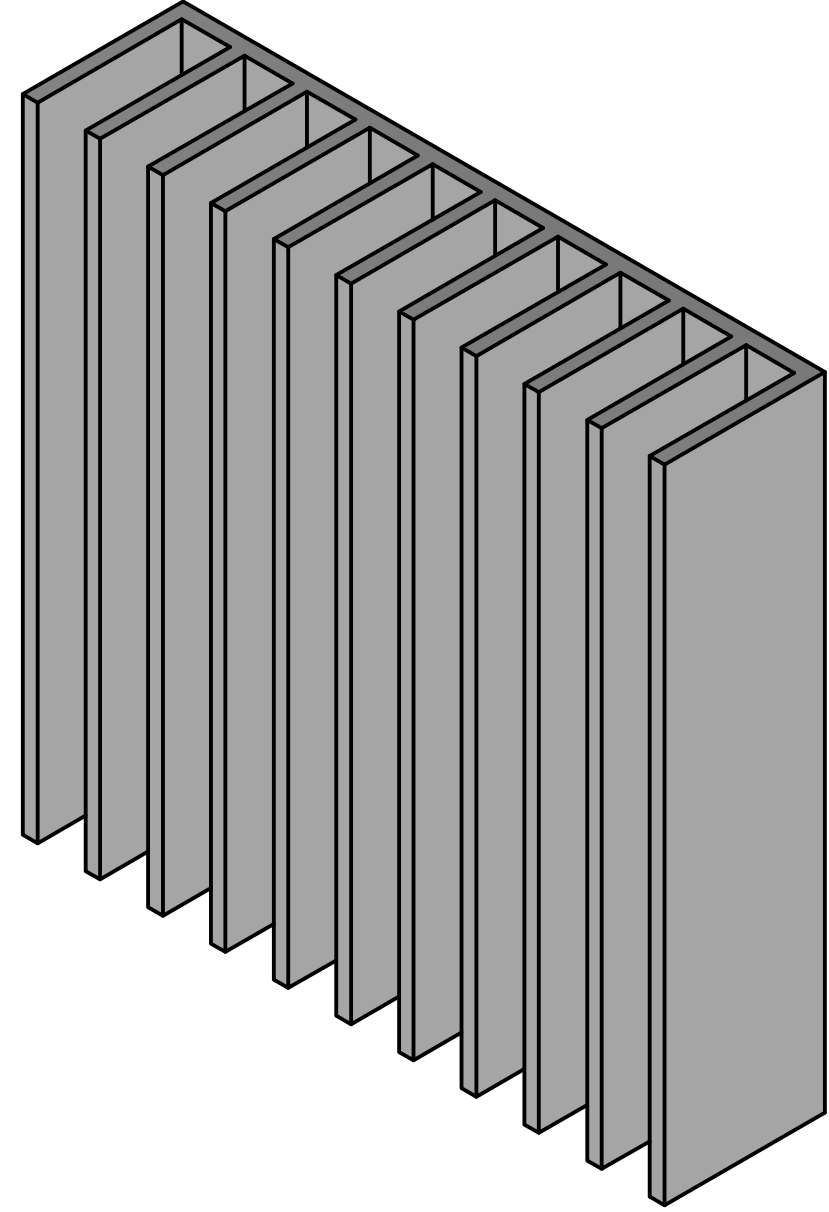
PELTIER MODULE DETAIL

DRAWN	LOGSTON	5/19/2024		
CHECKED			TITLE	
QA			PELTIER COOLER	
MFG			SIZE	DWG NO
APPROVED			D	peltier_cooler
			SCALE	1.8
				SHEET 4 OF 11

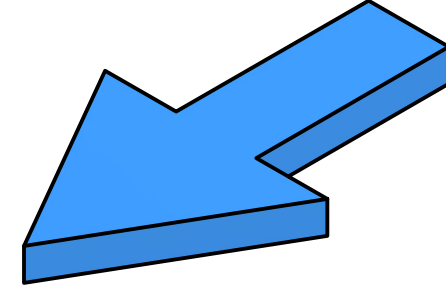
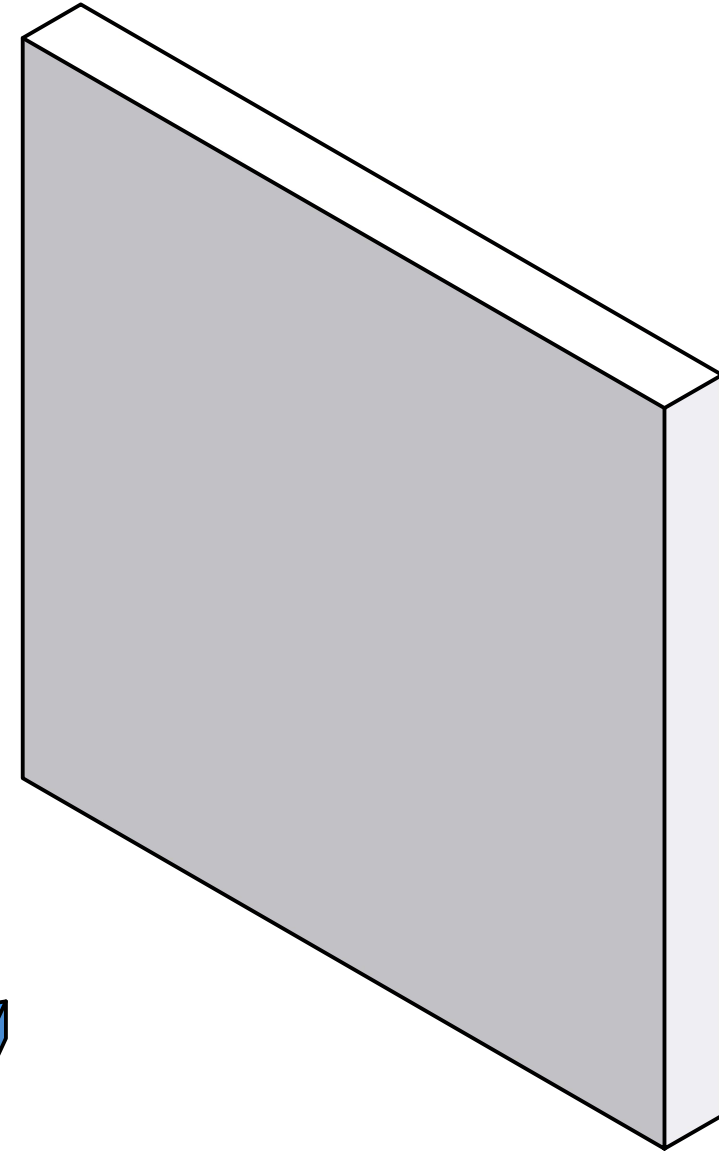
ASSEMBLY STEP 1

ADHERE HEAT SINKS

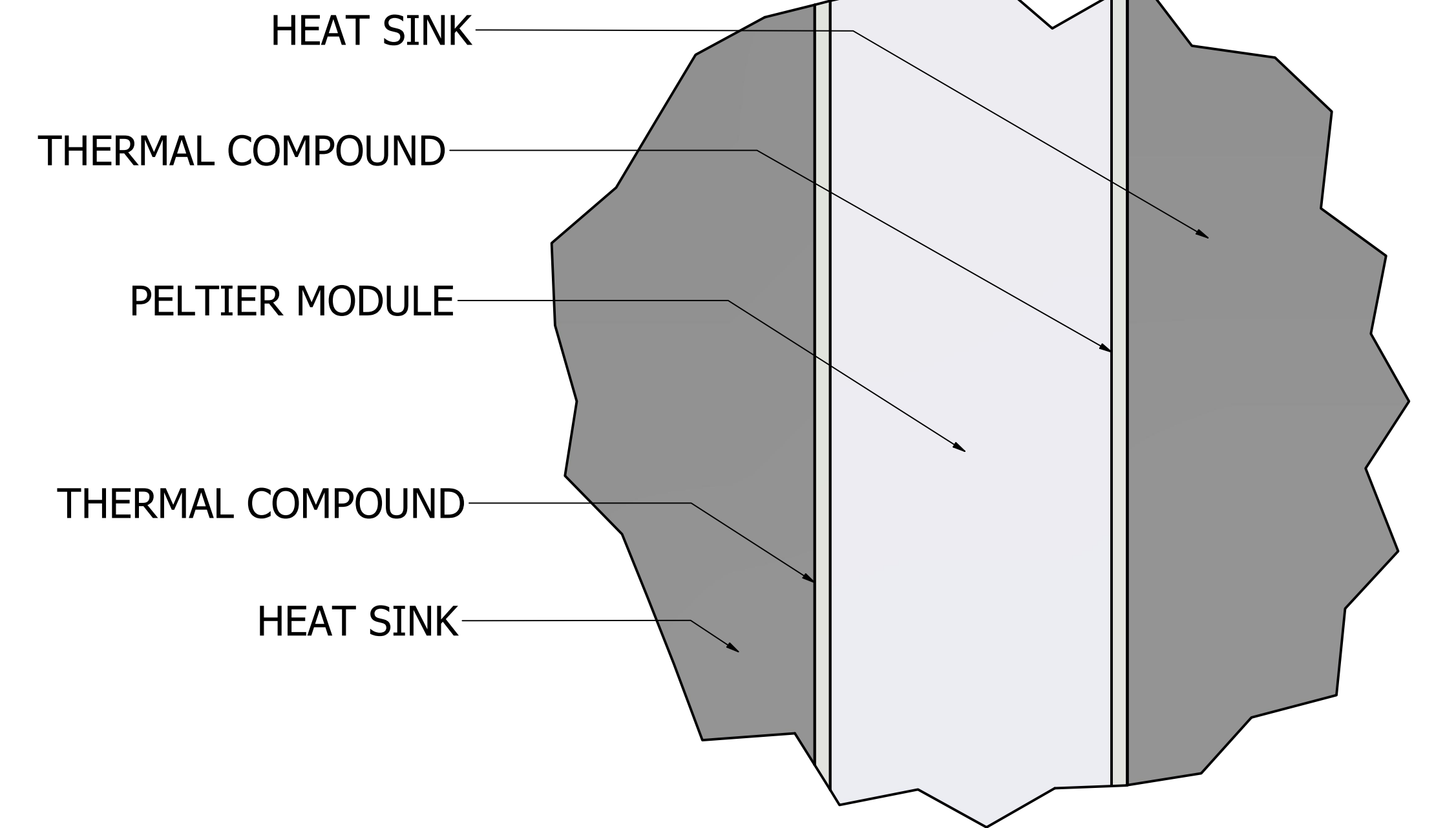
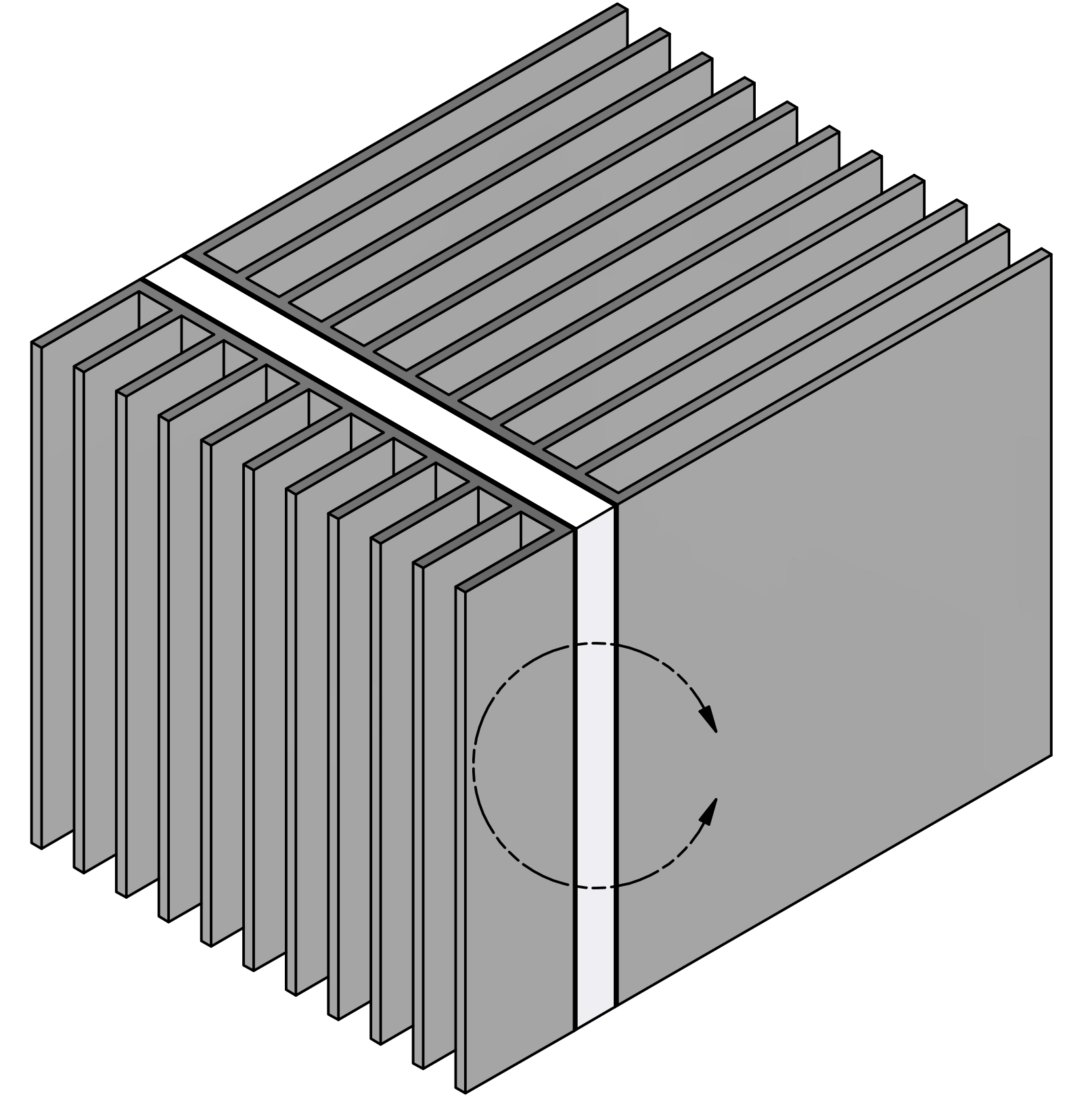
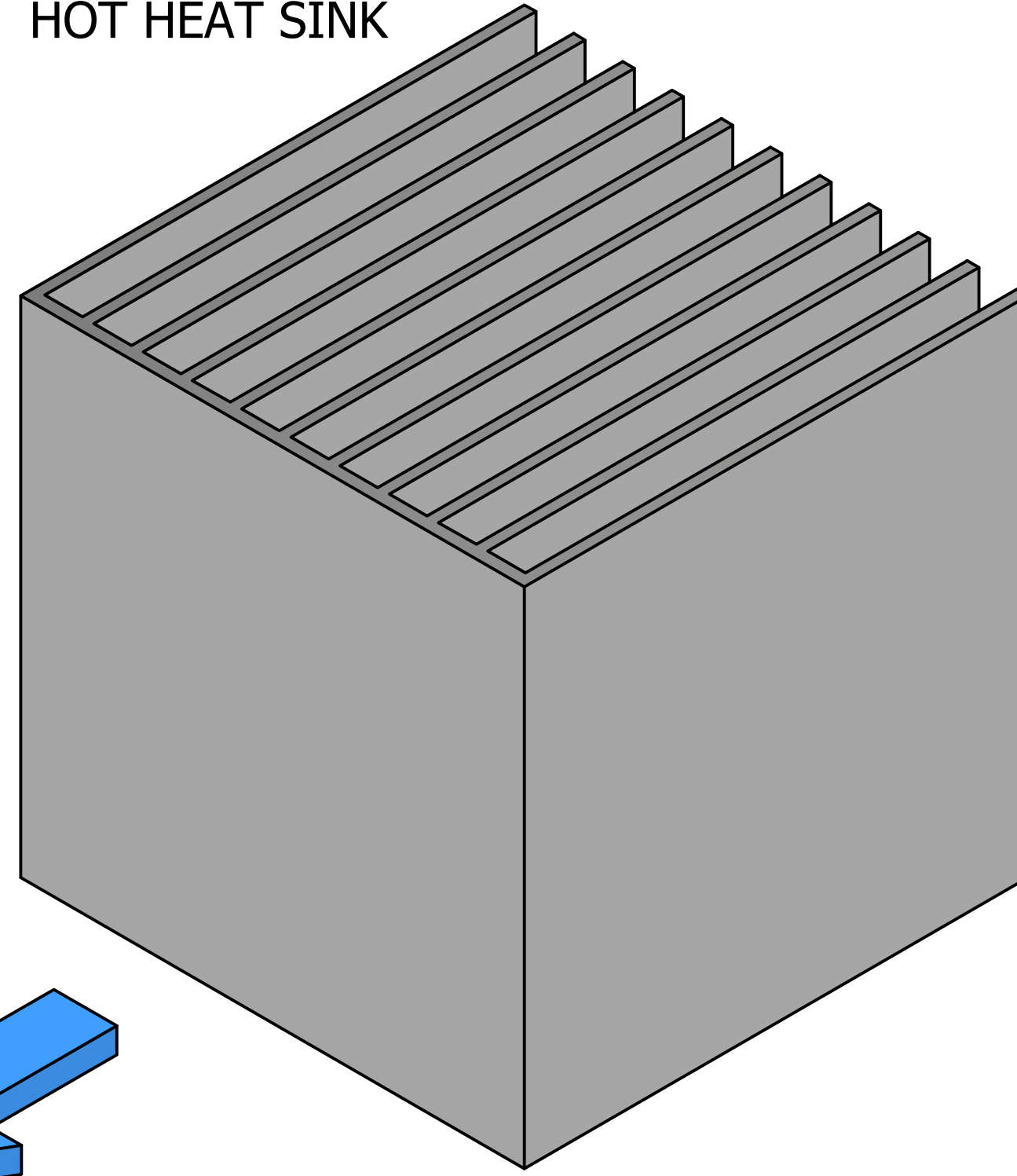
COLD HEAT SINK



PELTIER MODULE



HOT HEAT SINK

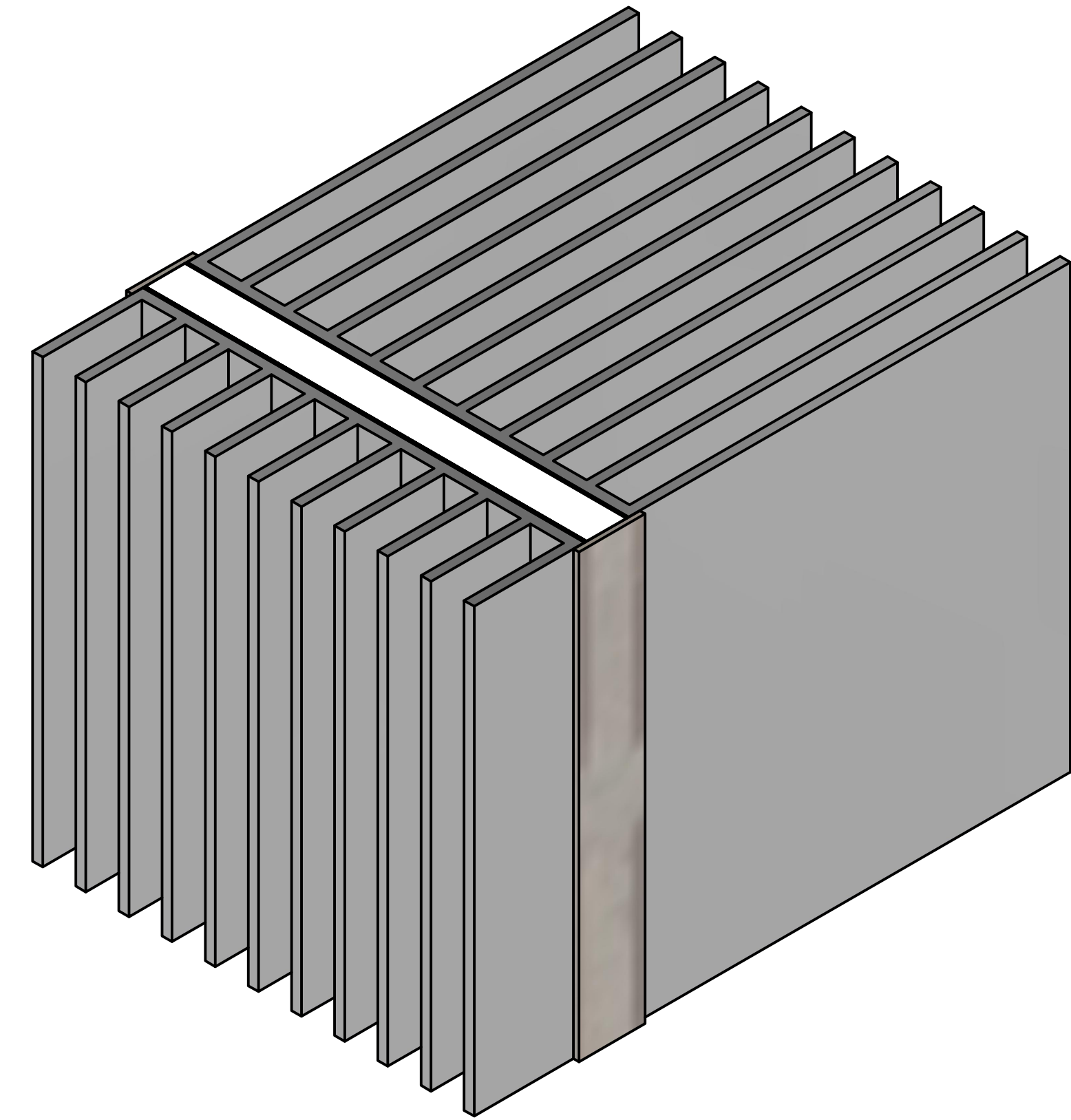
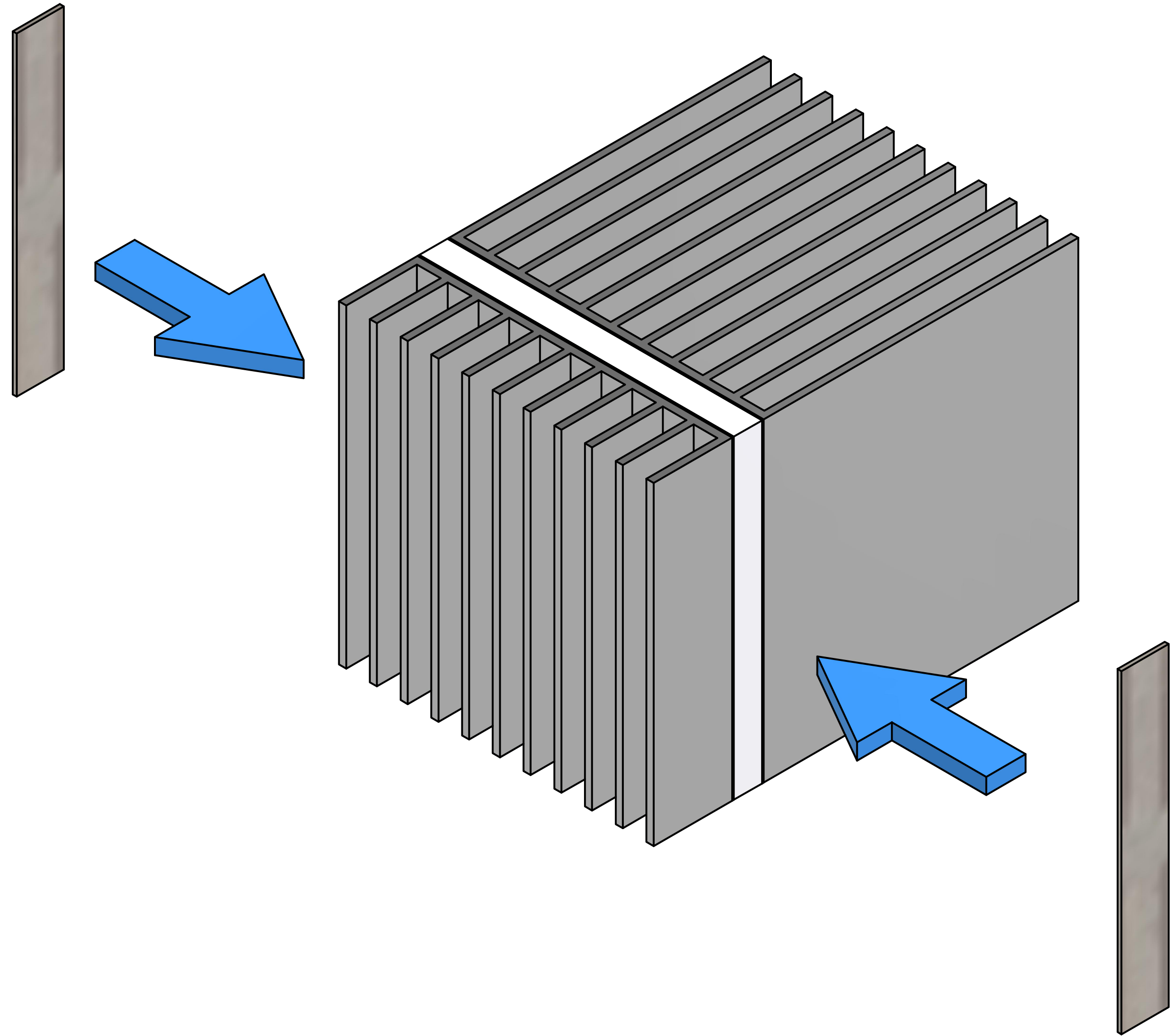


DRAWN	C	LOGSTON	5/19/2024		
CHECKED				TITLE	
QA				PELTIER COOLER	
MFG				SIZE	DWG NO
APPROVED				D	peltier_cooler
				SCALE	3
					SHEET 5 OF 11

ASSEMBLY STEP 2

ATTACH INSULATING PLATES

CERAMIC / INSULATING PLATE x2

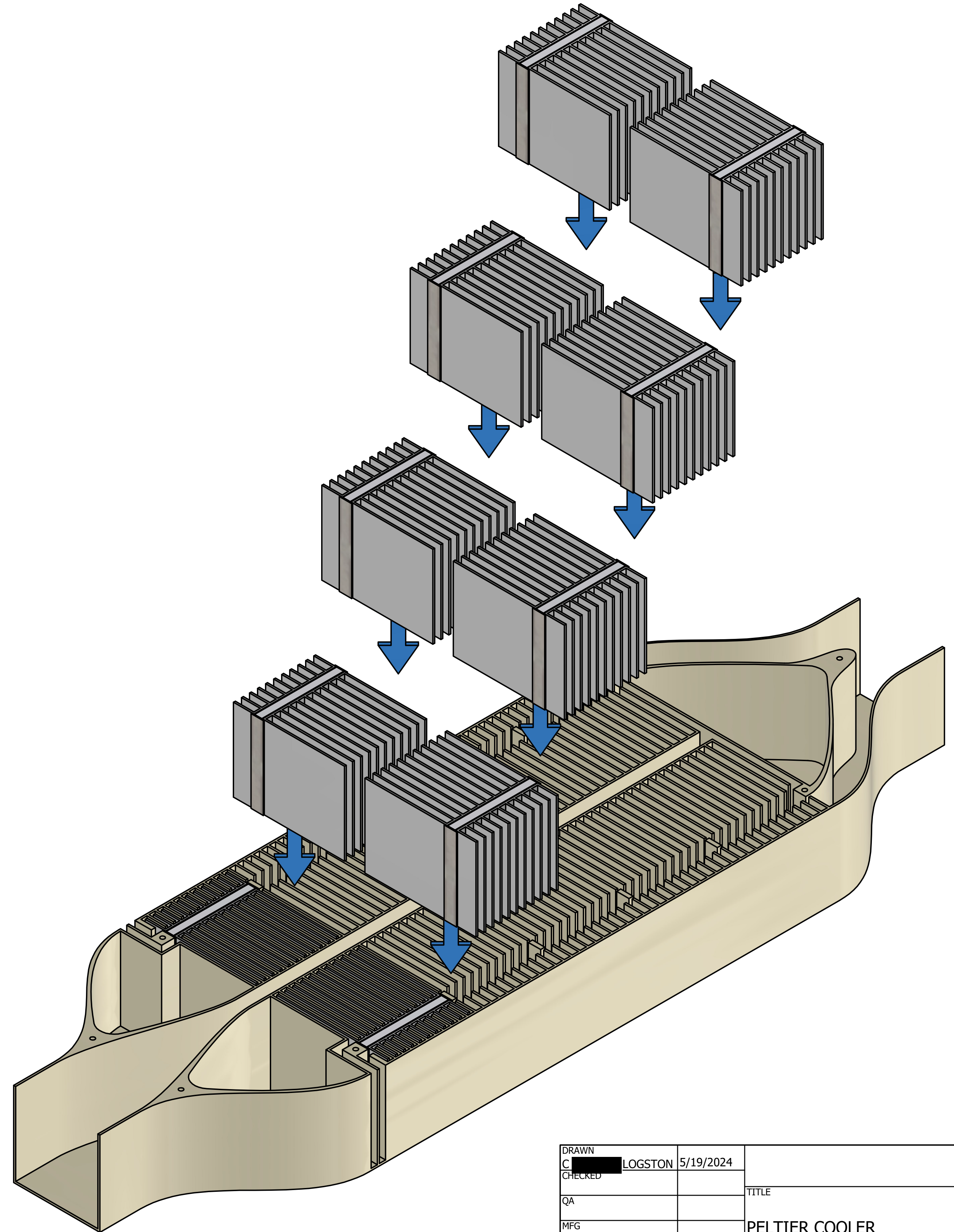
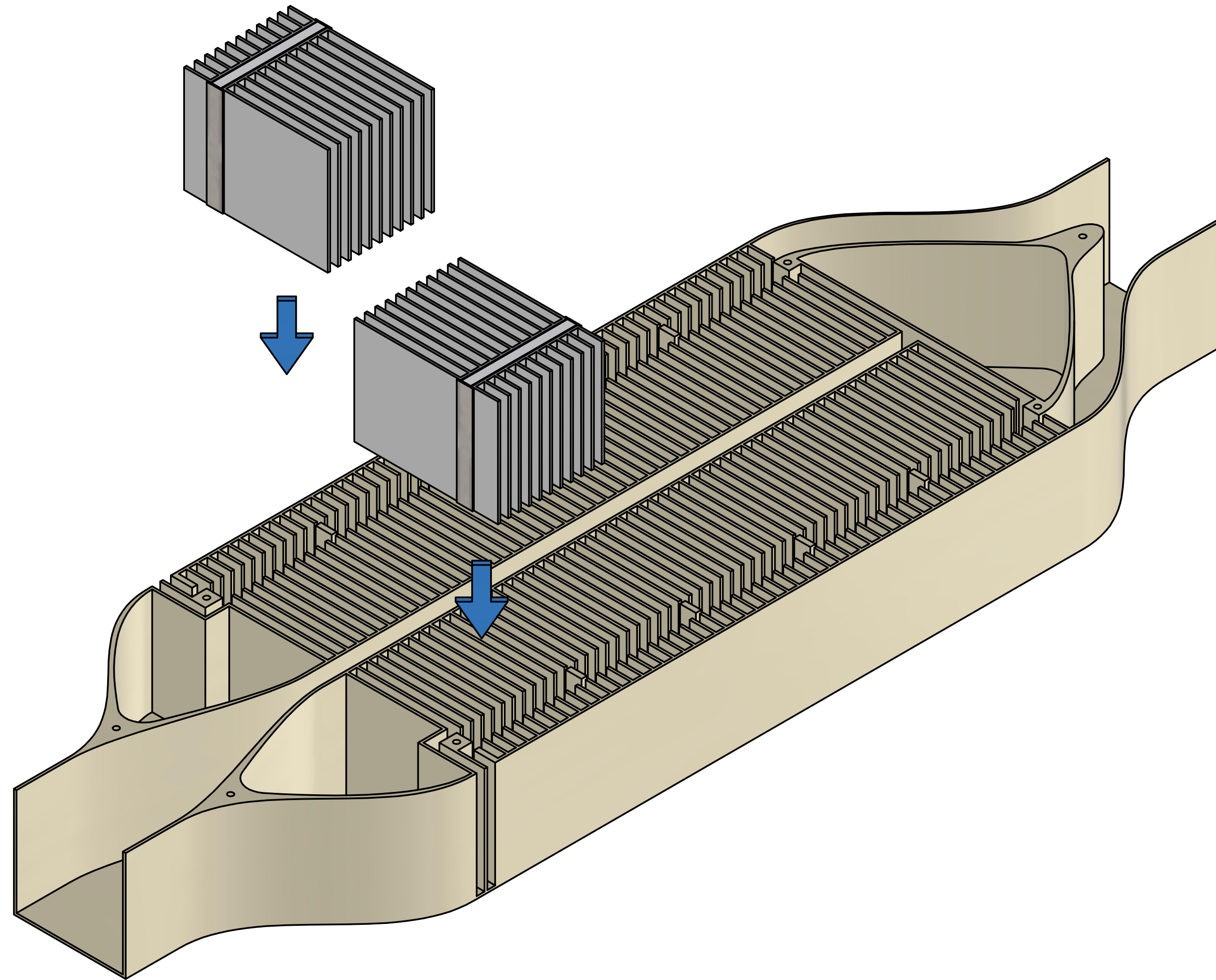


NOTE: 10x ASSEMBLIES NEEDED

DRAWN	LOGSTON	5/19/2024		
CHECKED			TITLE	
QA			PELTIER COOLER	
MFG			SIZE	DWG NO
APPROVED			D	peltier_cooler
			SCALE	3
				SHEET 6 OF 11

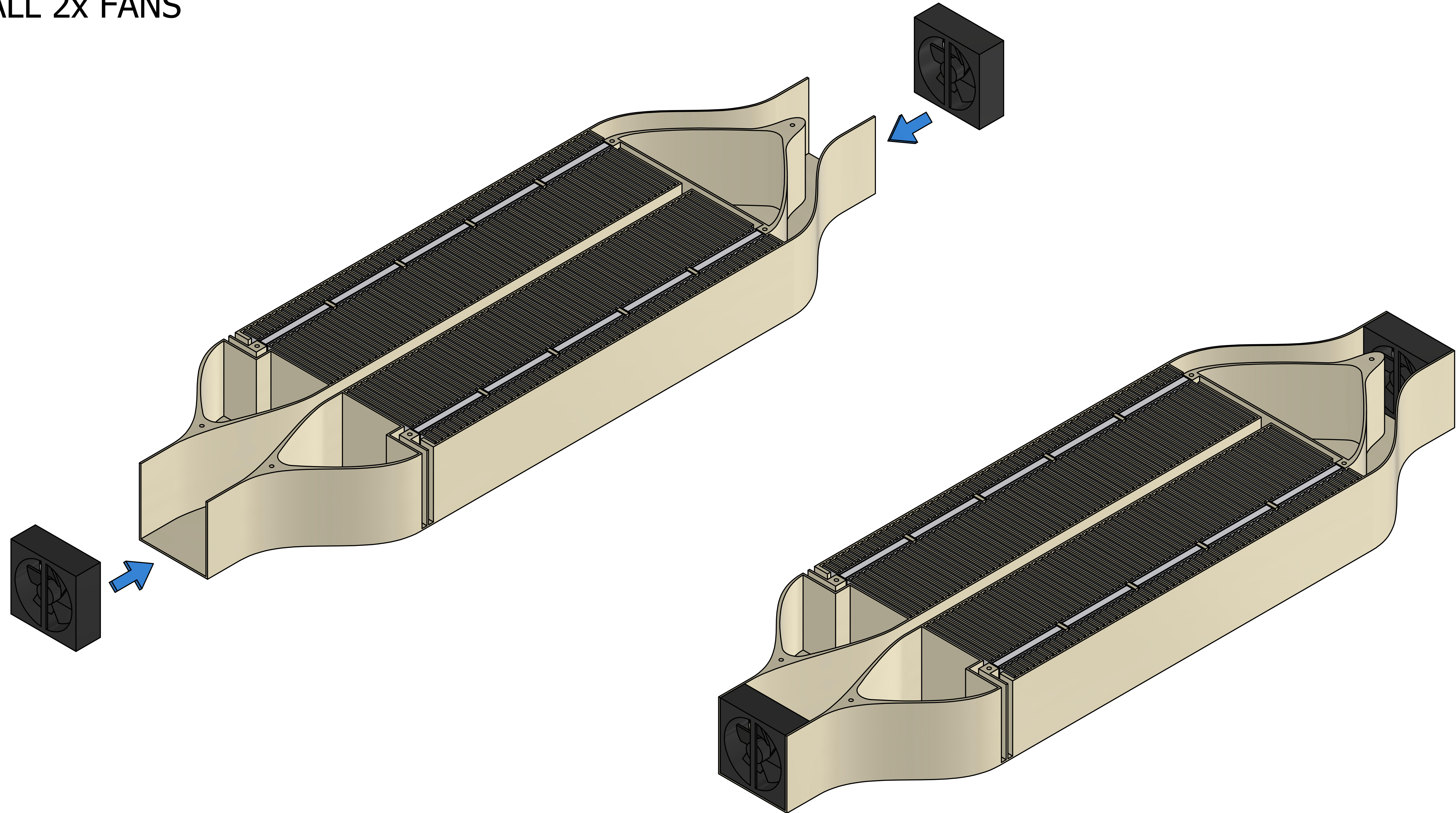
ASSEMBLY STEP 3

INSTALL 10x PELTIER MODULE ASSEMBLIES



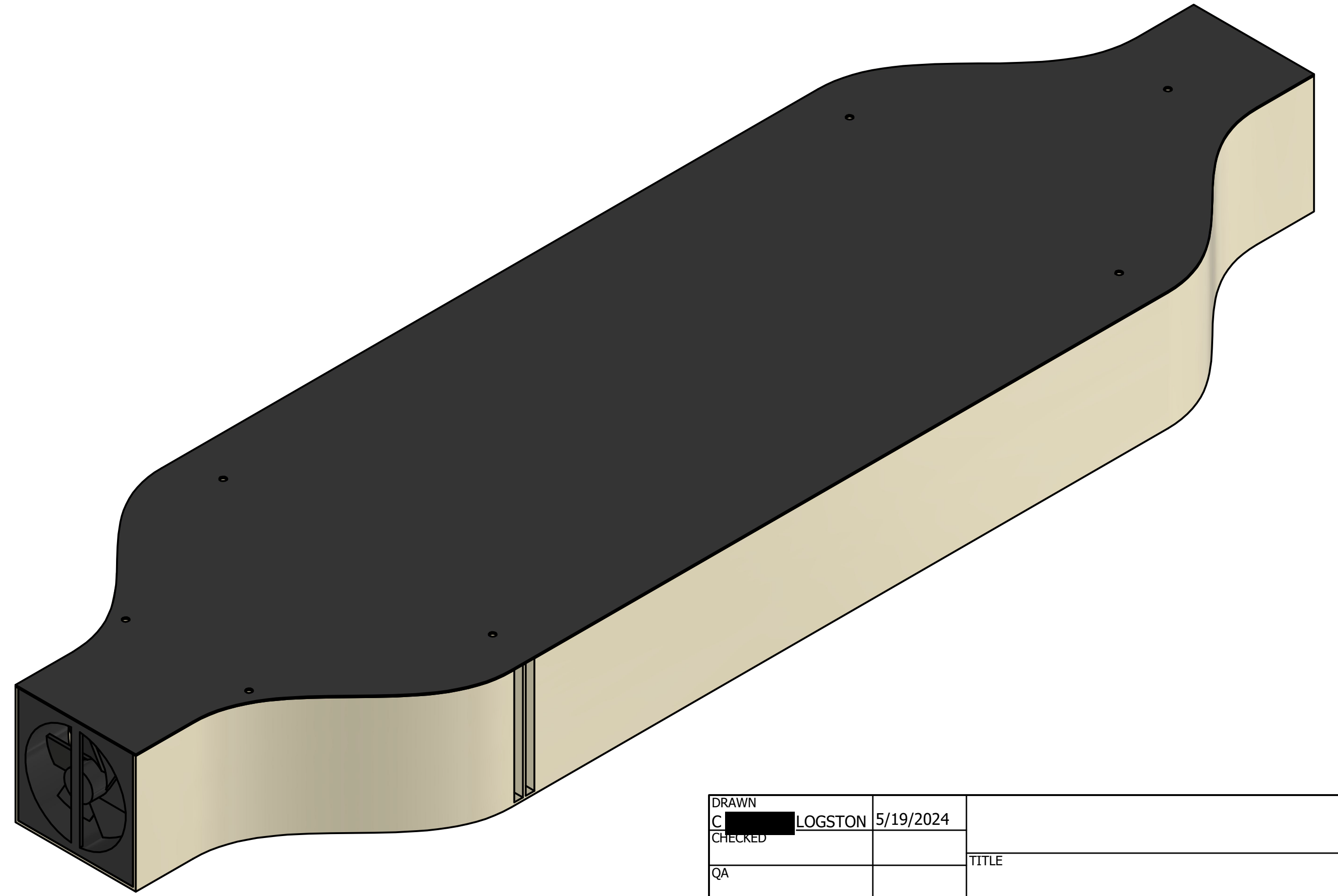
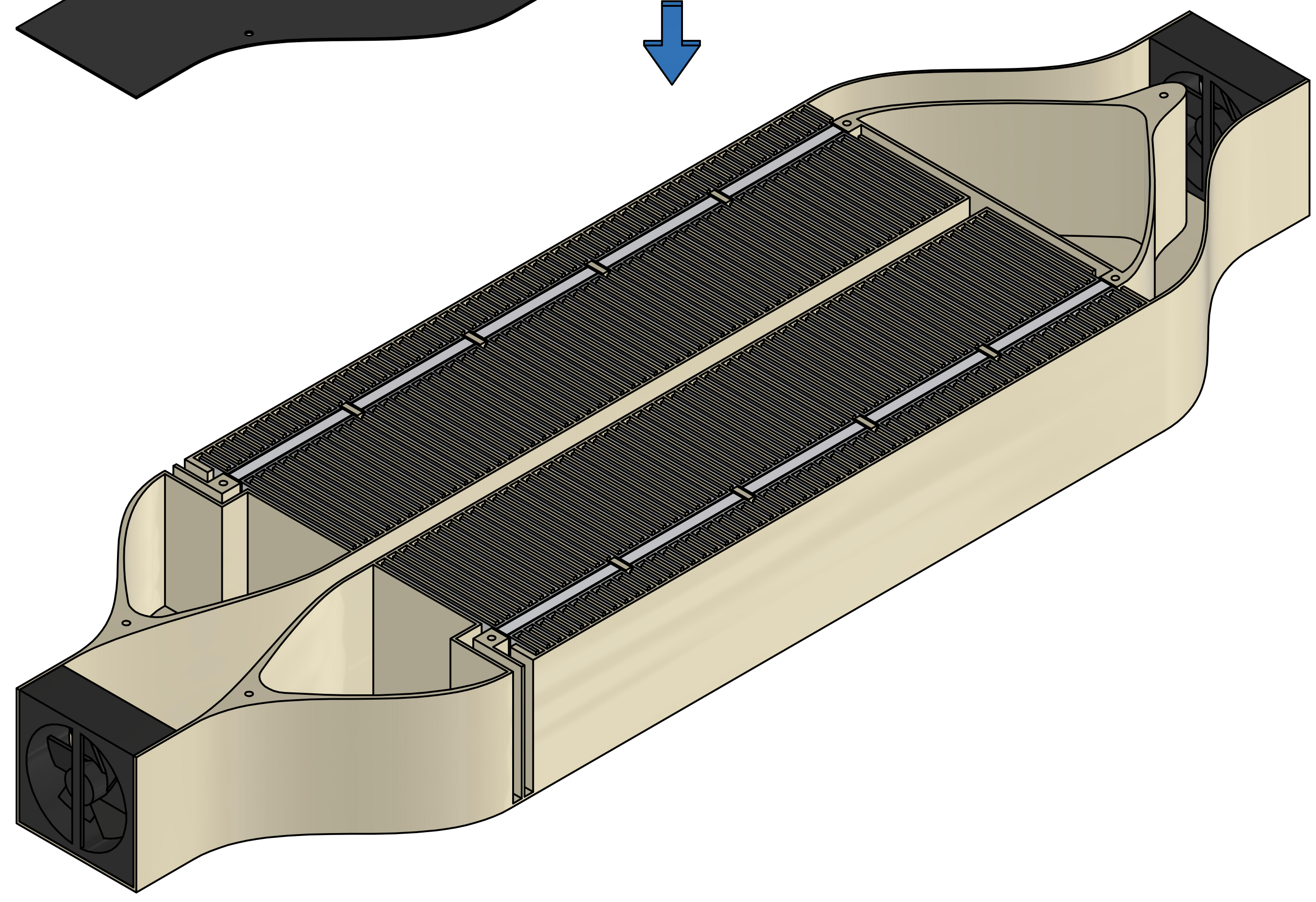
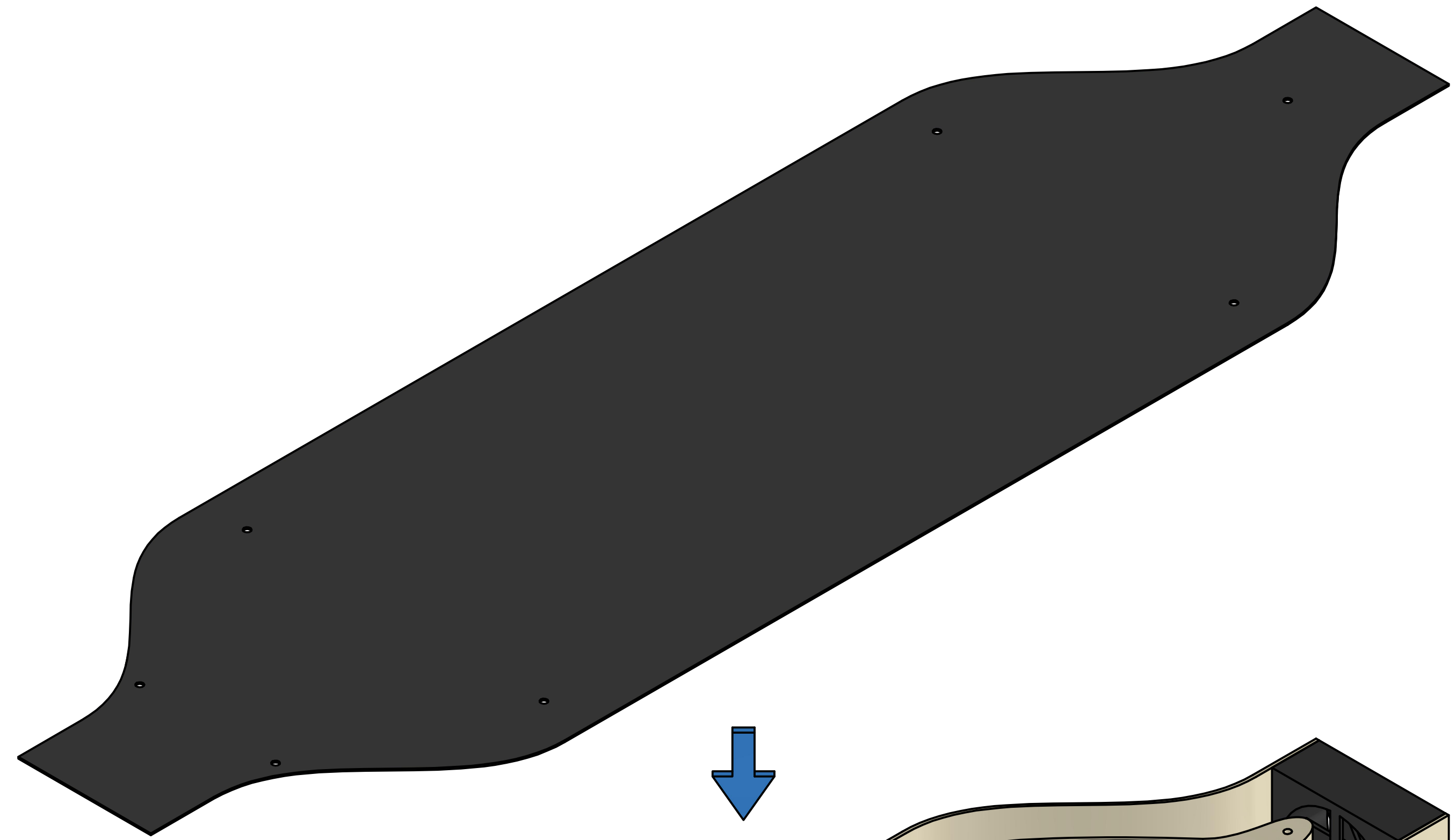
DRAWN	LOGSTON	5/19/2024		
CHECKED			TITLE	
QA			PELTIER COOLER	
MFG			SIZE	DWG NO
APPROVED			D	peltier_cooler
			SCALE	1:1
				SHEET 7 OF 11

ASSEMBLY STEP 4 INSTALL 2x FANS



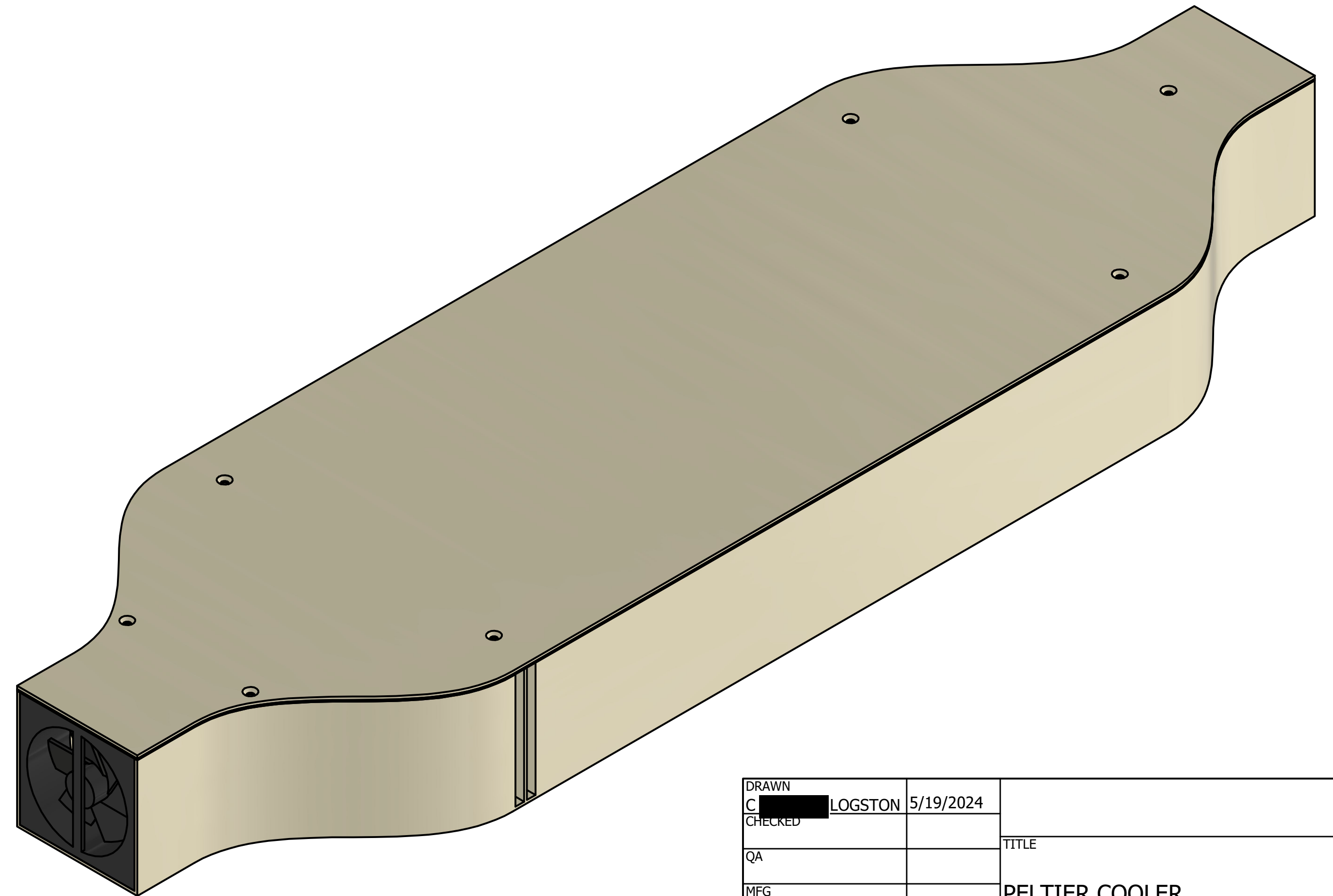
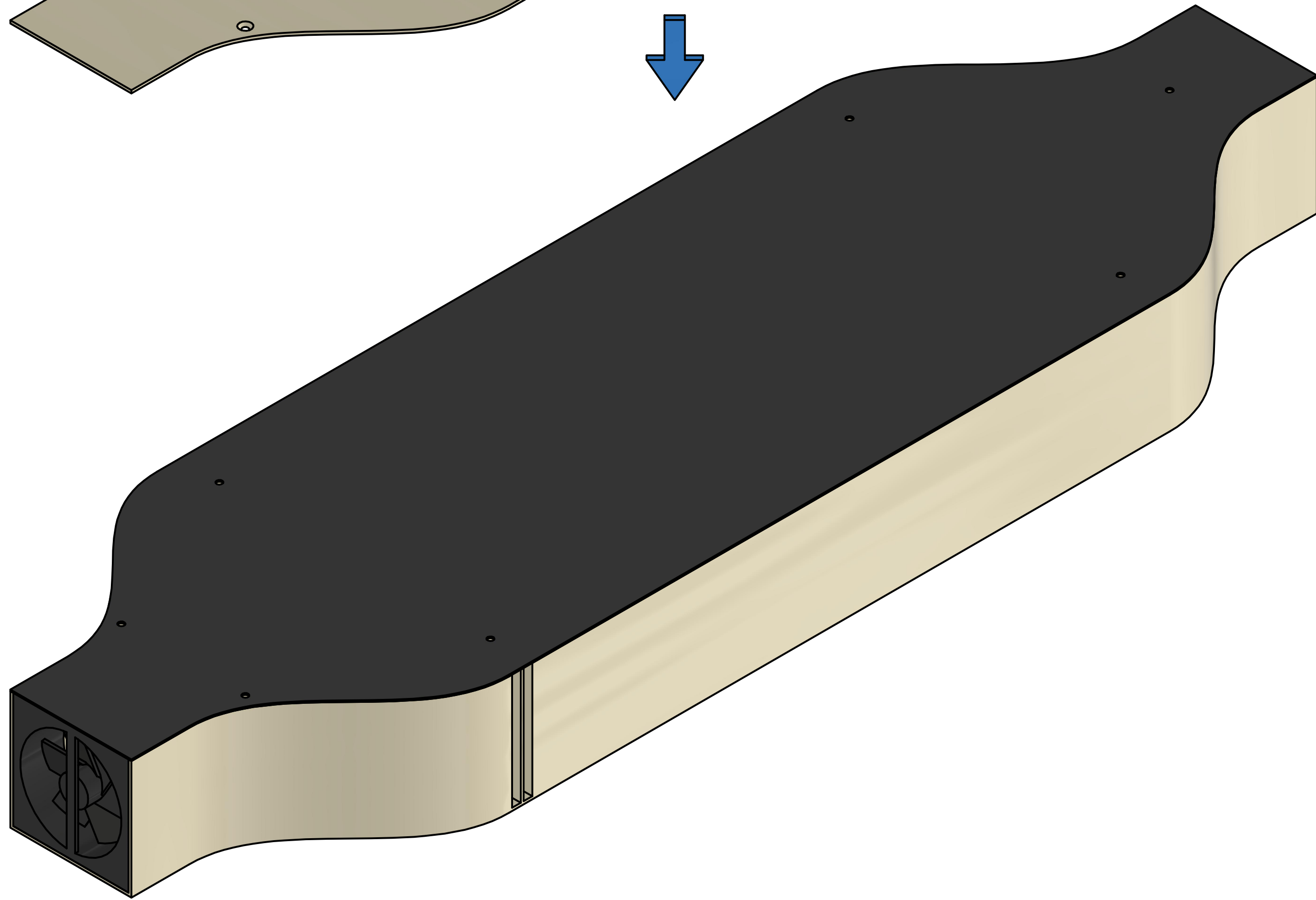
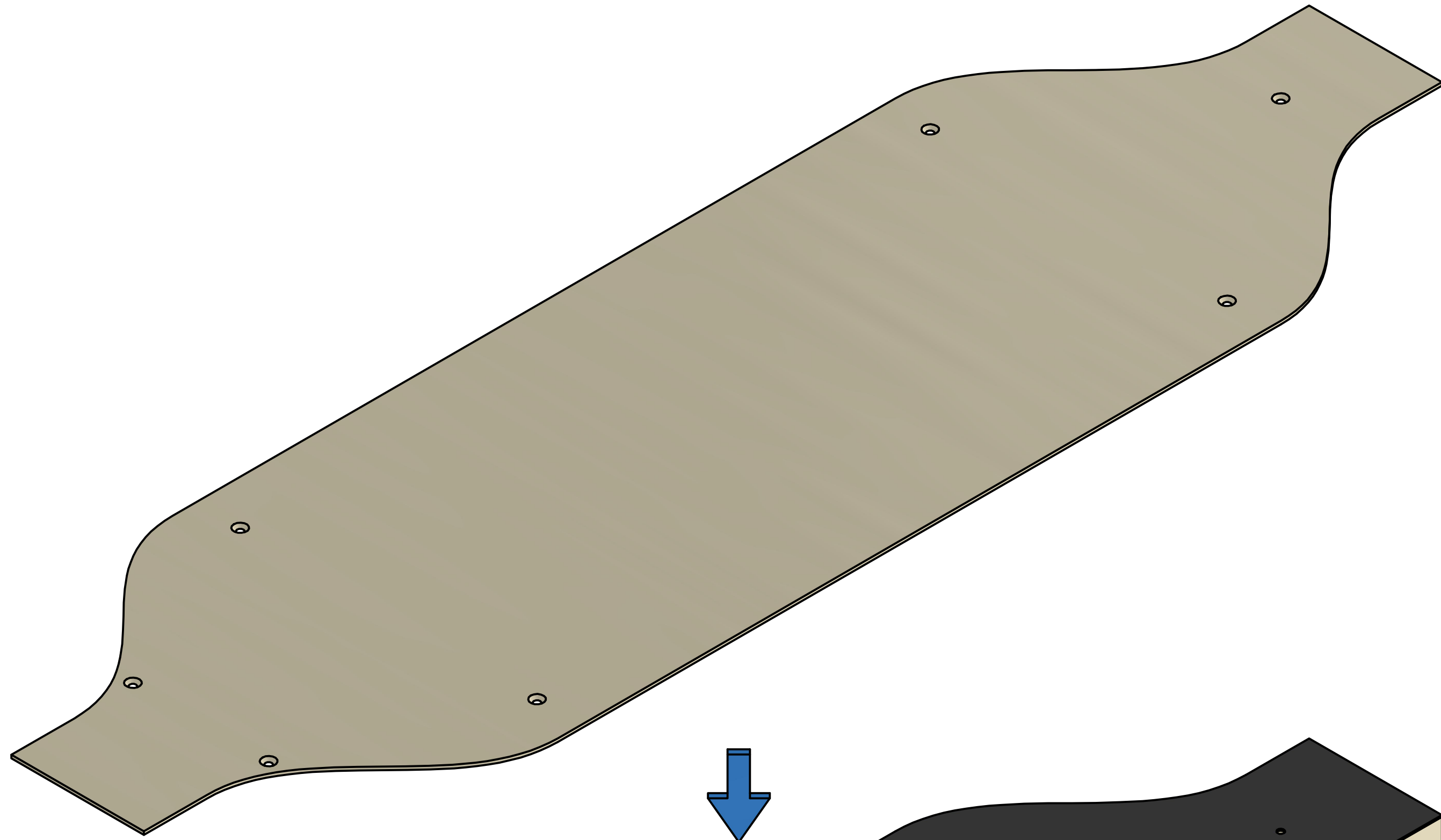
DRAWN	LOGSTON	5/19/2024		
CHECKED			TITLE	
QA			PELTIER COOLER	
MFG			SIZE	DWG NO
APPROVED			D	peltier_cooler
			SCALE	1.1
				SHEET 8 OF 11

ASSEMBLY STEP 5 PLACE RUBBER SEAL



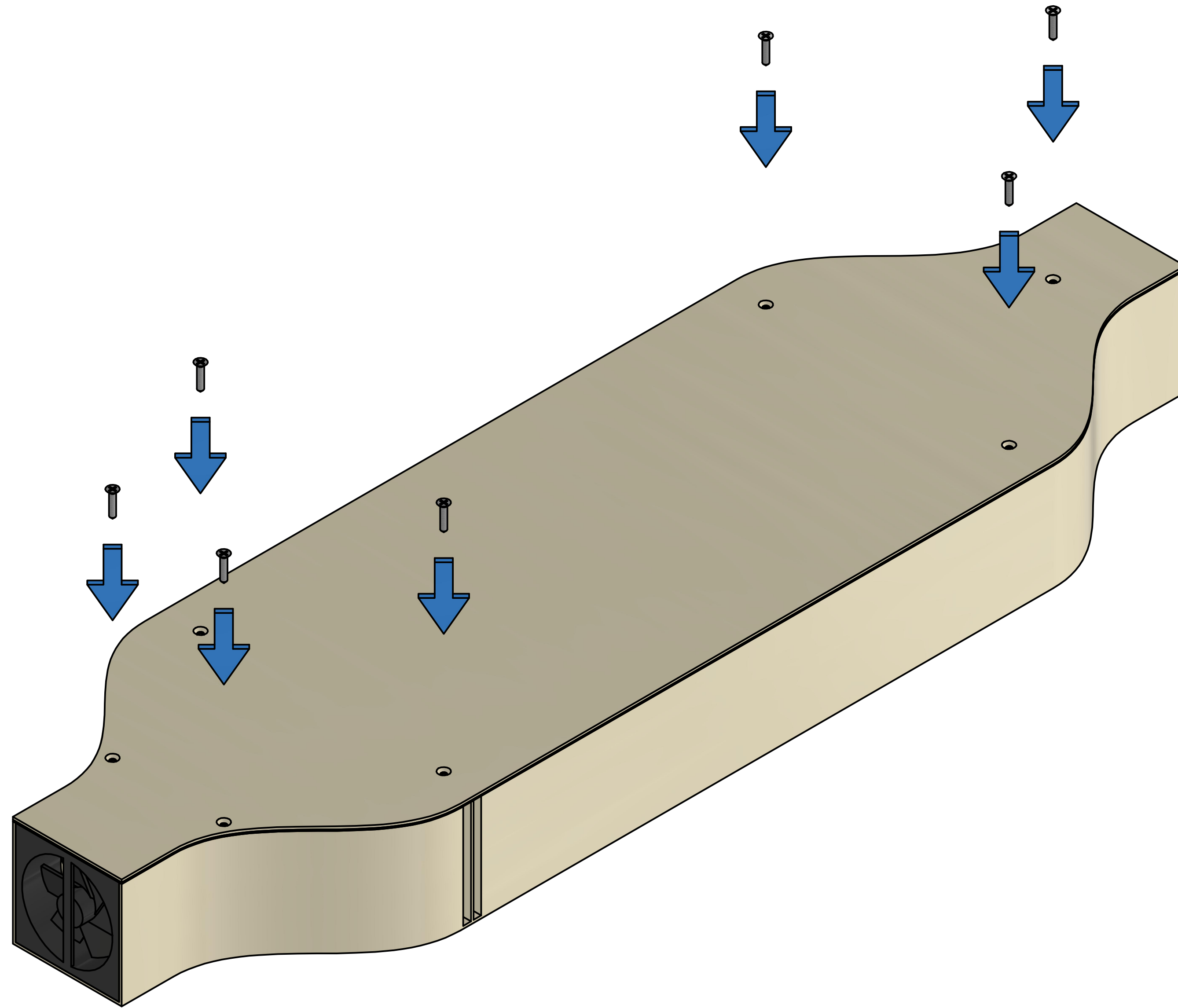
DRAWN	LOGSTON	5/19/2024		
CHECKED			TITLE	
QA			PELTIER COOLER	
MFG			SIZE	DWG NO
APPROVED			D	peltier_cooler
			SCALE	1:1
				SHEET 9 OF 11

ASSEMBLY STEP 6 PLACE TOP PLATE



DRAWN	LOGSTON	5/19/2024		
CHECKED			TITLE	
QA			PELTIER COOLER	
MFG			SIZE	DWG NO
APPROVED			D	peltier_cooler
			SCALE	1:1
				SHEET 10 OF 11

ASSEMBLY STEP 7 INSTALL BOLTS



DRAWN	LOGSTON	5/19/2024		
CHECKED			TITLE	
QA			PELTIER COOLER	
MFG				
APPROVED				
			SIZE	DWG NO
			D	peltier_cooler
			SCALE	REV
			1.1	
			SHEET 11 OF 11	