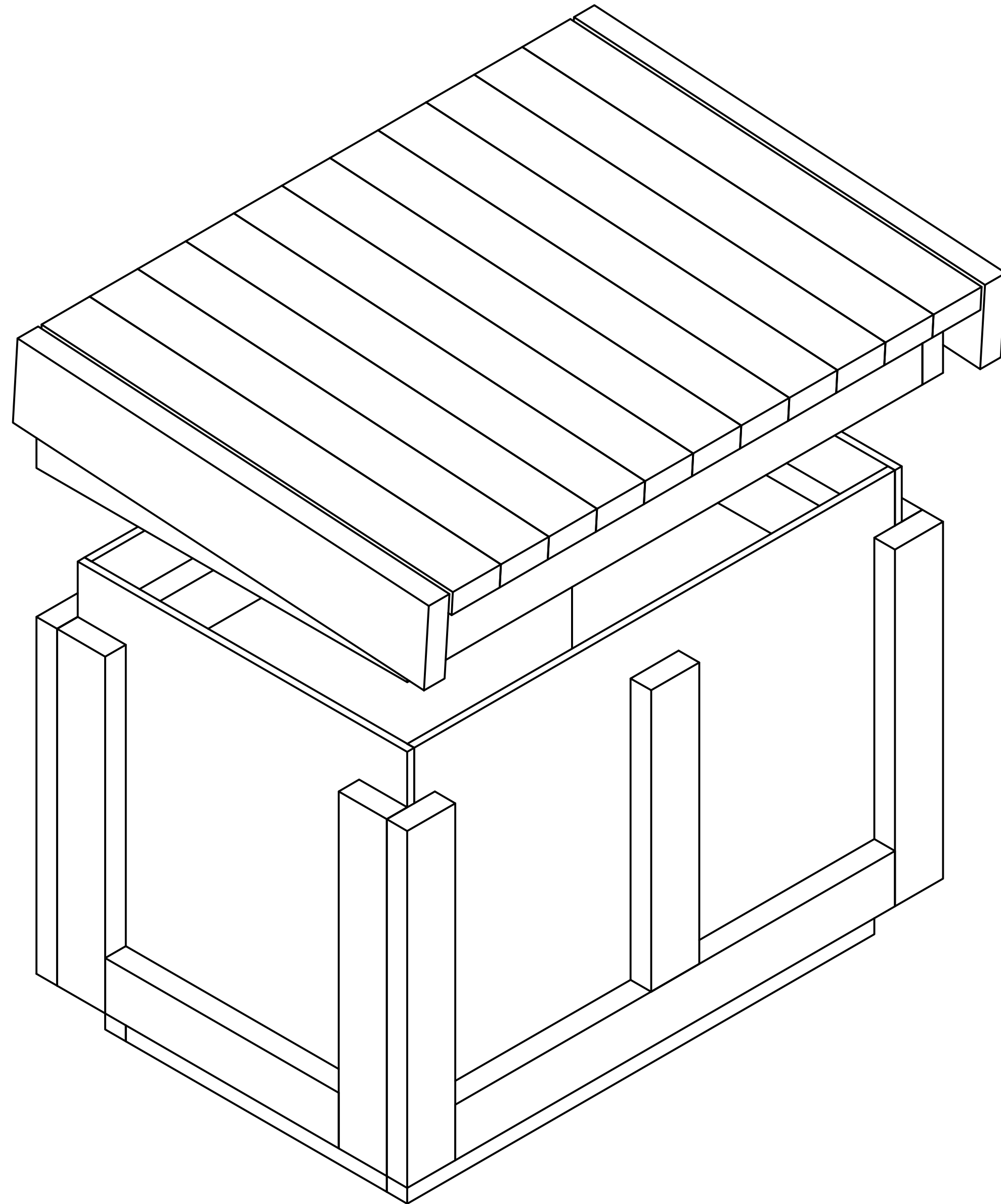


AQRG Pump Housing



PRODUCED BY AN AUTODESK EDUCATIONAL PRODUCT

PRODUCED BY AN AUTODESK EDUCATIONAL PRODUCT

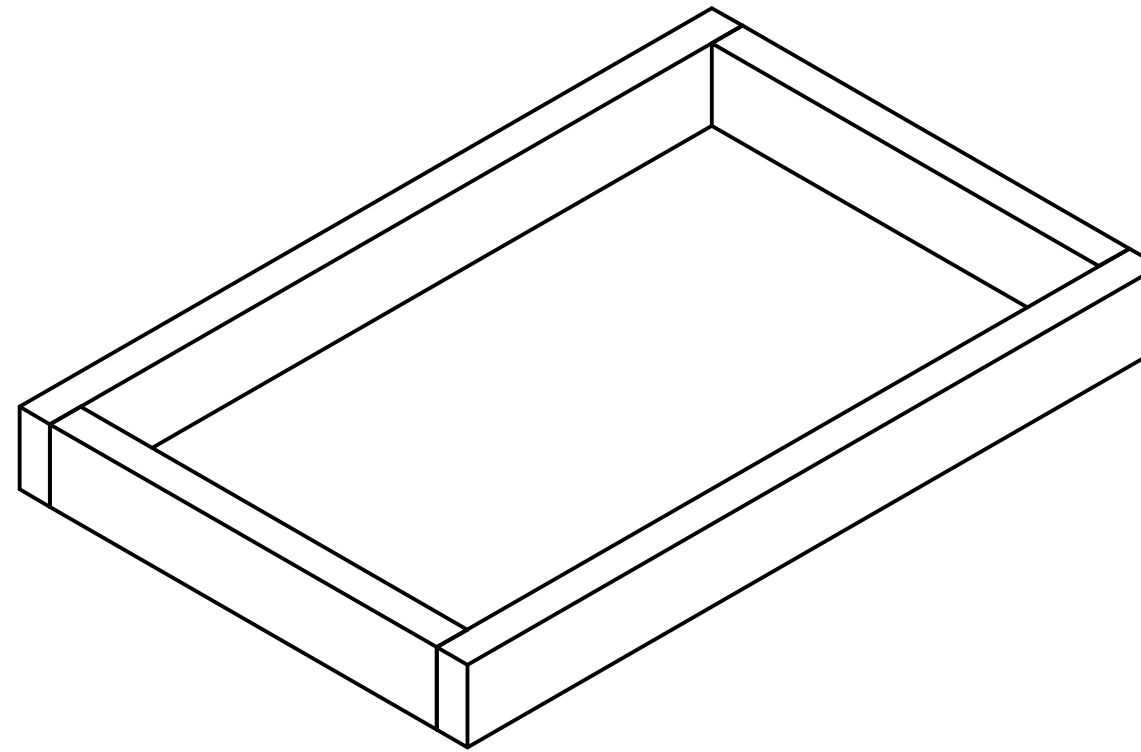
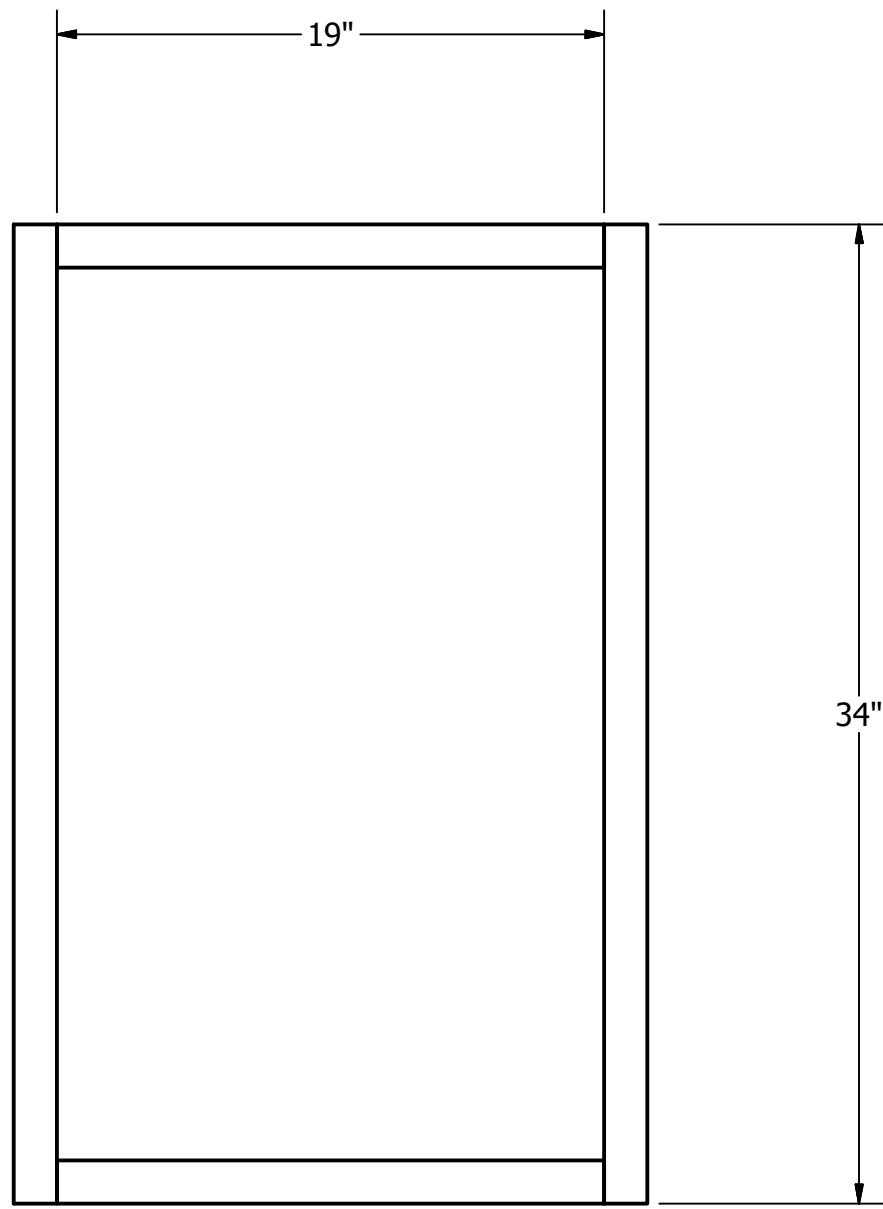
DRAWN Chris Logston	8/25/2011	University of California, Davis		
CHECKED		TITLE		
QA		ACAD Load Bearing Housing		
MFG		SIZE	DWG NO	REV
APPROVED		C	AQRG Pump Box 2	
		SCALE	SHEET 1 OF 17	

PARTS LIST		
ITEM	QTY	PART NUMBER
1	1	Bottom Sheet 24in x 36in x 0.5in
2	2	Stud 2in x 4in x 24in
3	2	Stud 2in x 4in x 29in
4	8	Stud 2in x 4in x 22.5in
5	2	Stud 2in x 4in x 32in
6	2	Stud 2in x 4in x 17in
7	2	Side Sheet 24in x 24in x 0.5in
8	2	Side Sheet 24in x 35in x 0.5in
9	2	Stud 2in x 4in x 35in
10	2	Stud 2in x 4in x 20in
11	2	Stud 2in x 4in x 19in
12	2	Stud 2in x 4in x 36in
13	2	Stud 2in x 4in x 27in
14	1	Top Sheet1 27in x 29in x 0.5in
15	1	Stud 2in x 4in x 39in
16	2	Stud 2in x 4in x 39in - sloped
17	1	Top Sheet2 27in x 39in x 0.5in
18	11	Stud 2in x 4in x 30in
19	2	Stud 2in x 6in x 30in
20	2	PT Footing Stud 2in x 4in x 34in
21	2	PT Footing Stud 2in x 4in x 19in

DRAWN Chris Logston	8/25/2011	University of California, Davis		
CHECKED		TITLE		
QA		ACAD Load Bearing Housing		
MFG		SIZE	DWG NO	REV
APPROVED		C	AQRG Pump Box 2	
		SCALE	SHEET 2 OF 17	

Step 1
(Main Body)

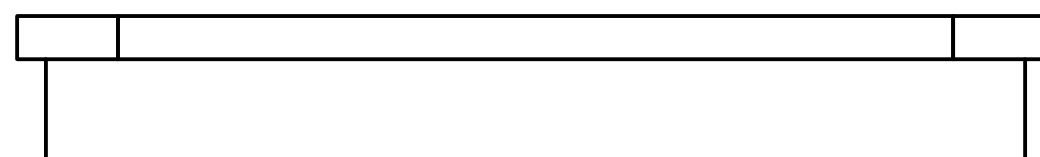
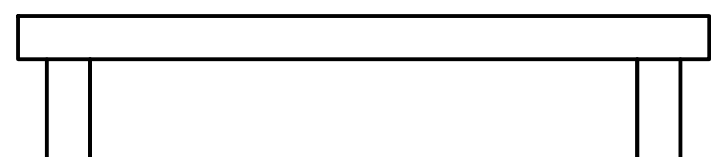
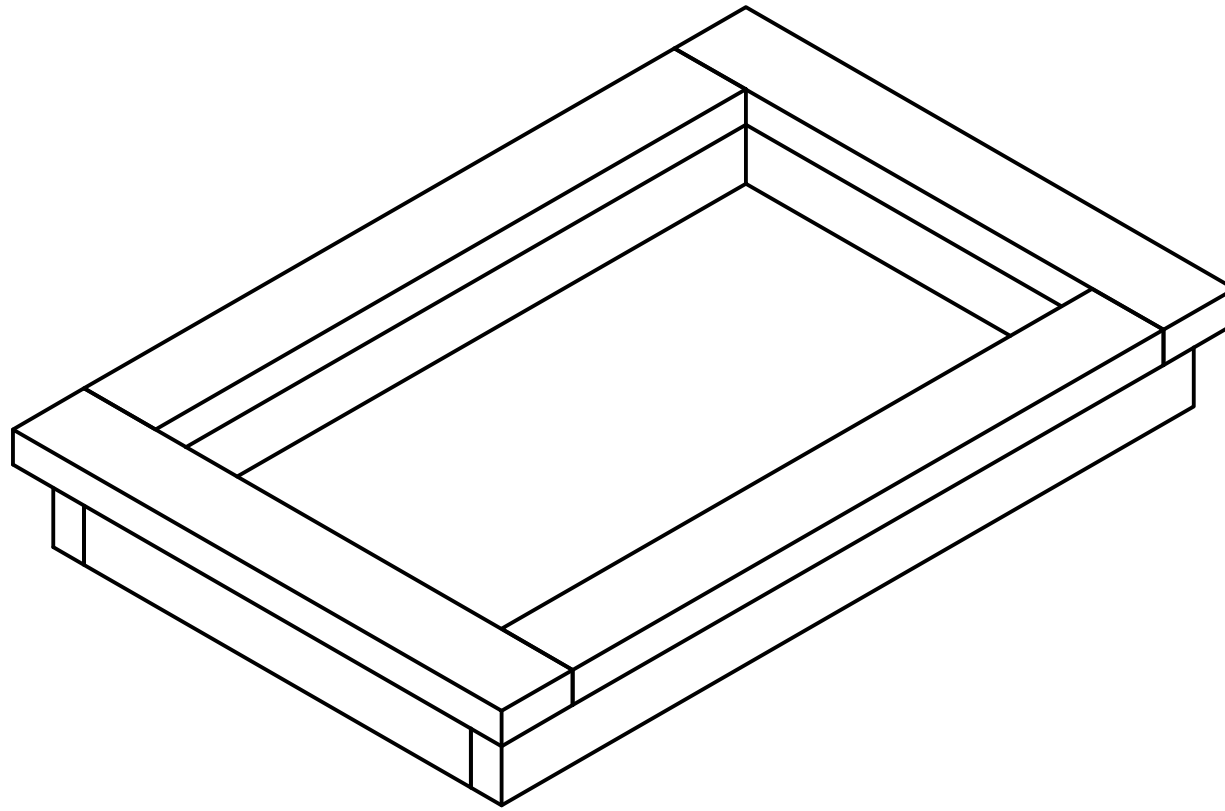
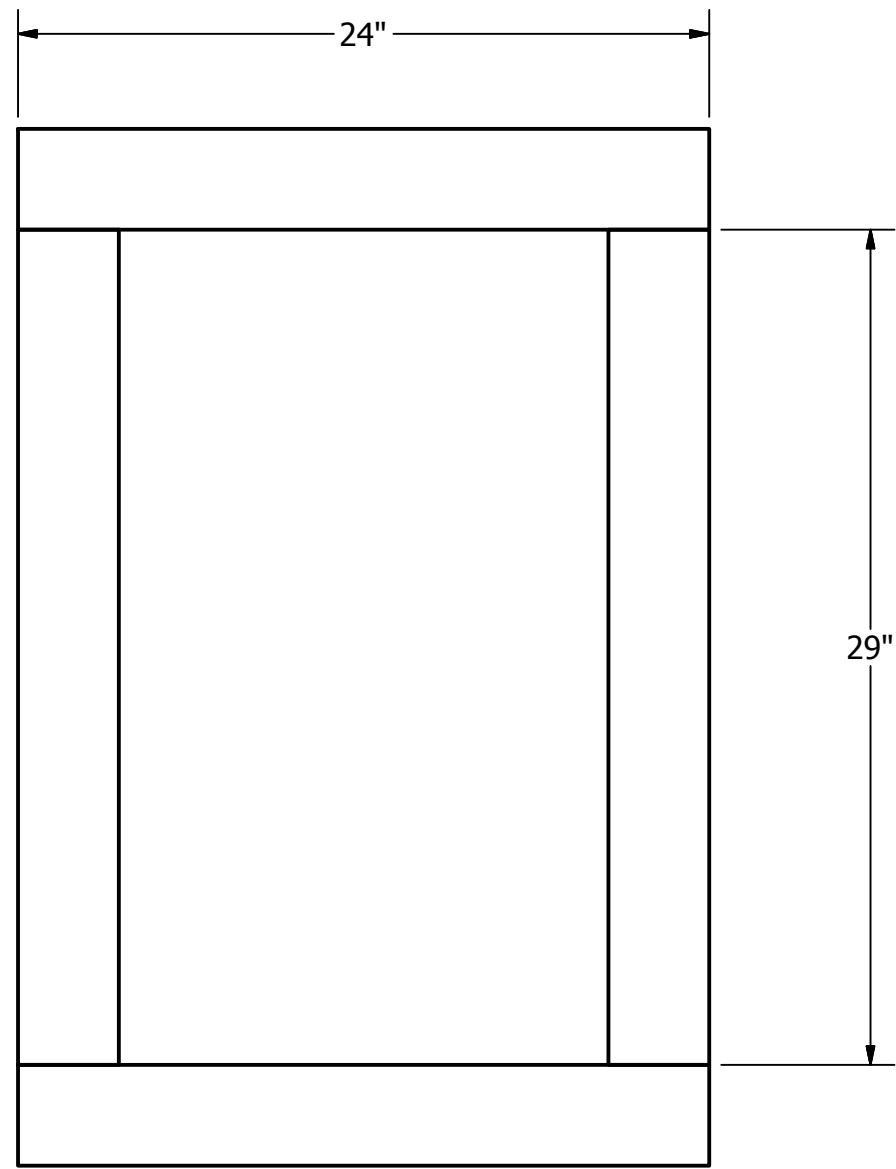
- Parts:
- 2" x 4" x 34" X2 (Pressure Treated)
 - 2" x 4" x 19" X2 (Pressure Treated)



DRAWN Chris Logston	8/25/2011	University of California, Davis		
CHECKED		TITLE		
QA		ACAD Load Bearing Housing		
MFG		SIZE	DWG NO	REV
APPROVED		C	AQRG Pump Box 2	
		SCALE	SHEET 3 OF 17	

Step 2

- Parts:
 2" x 4" x 24" X2
 2" x 4" x 29" X2



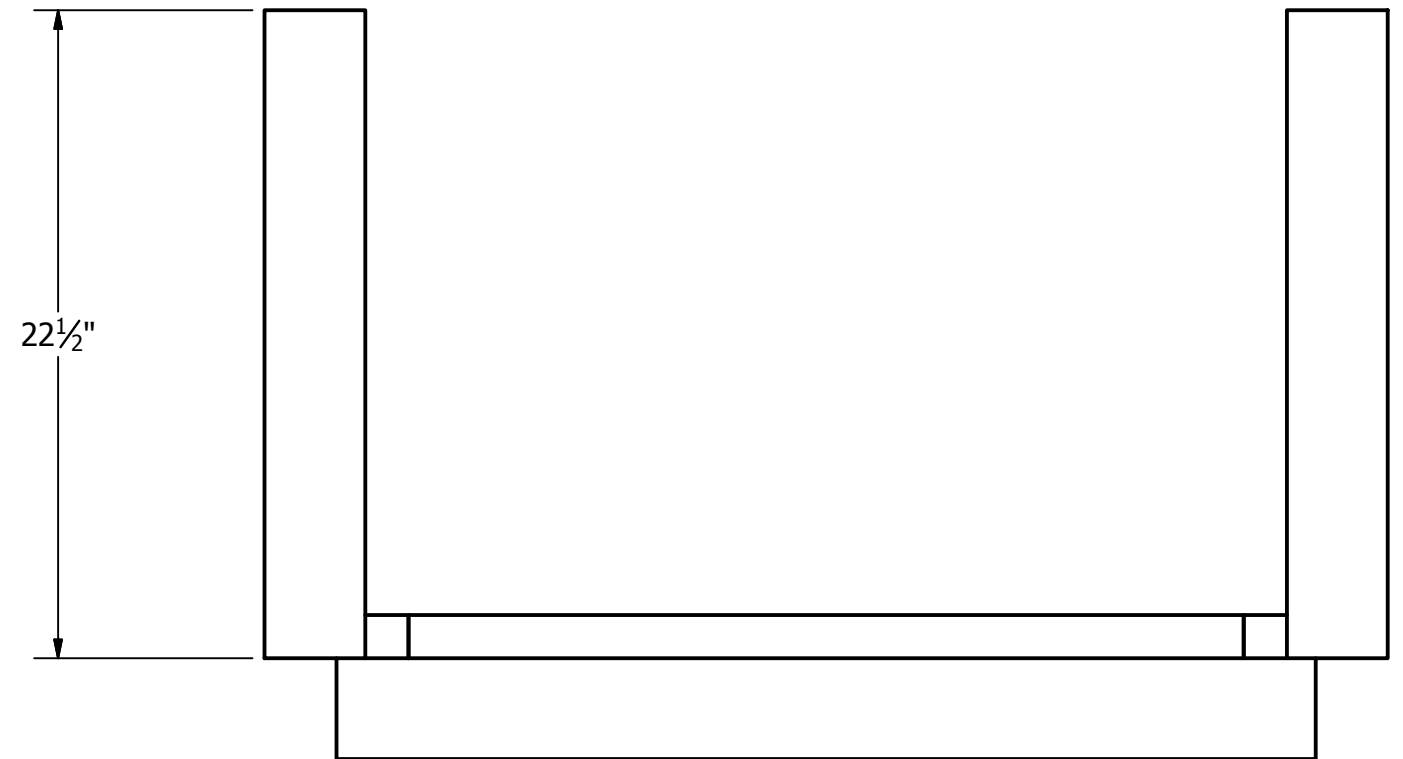
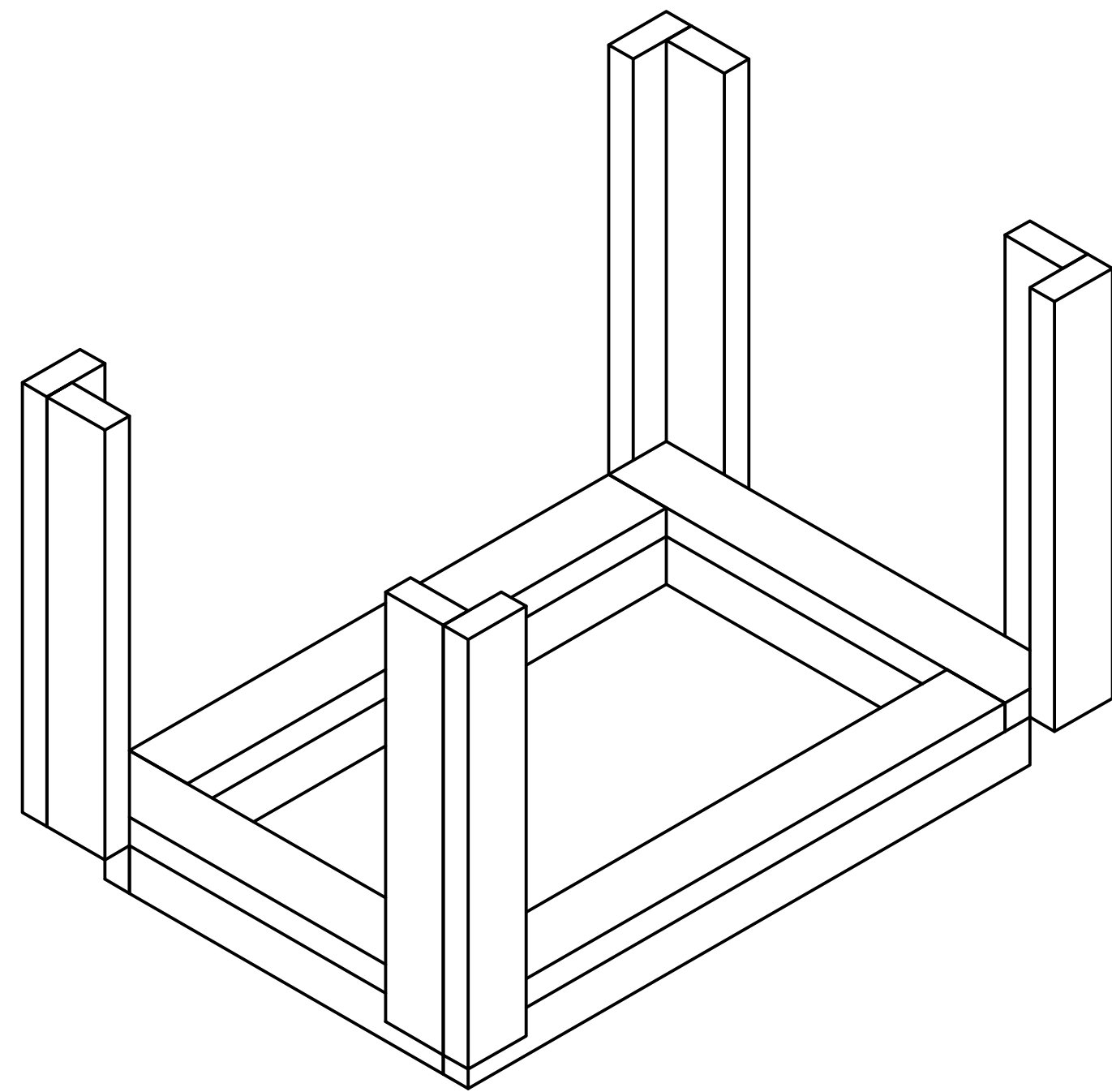
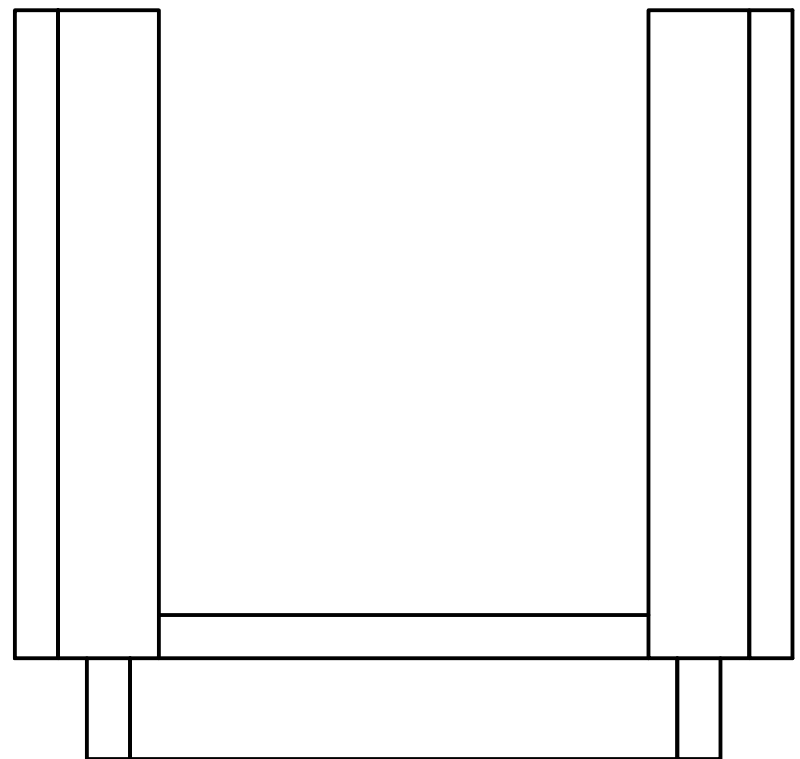
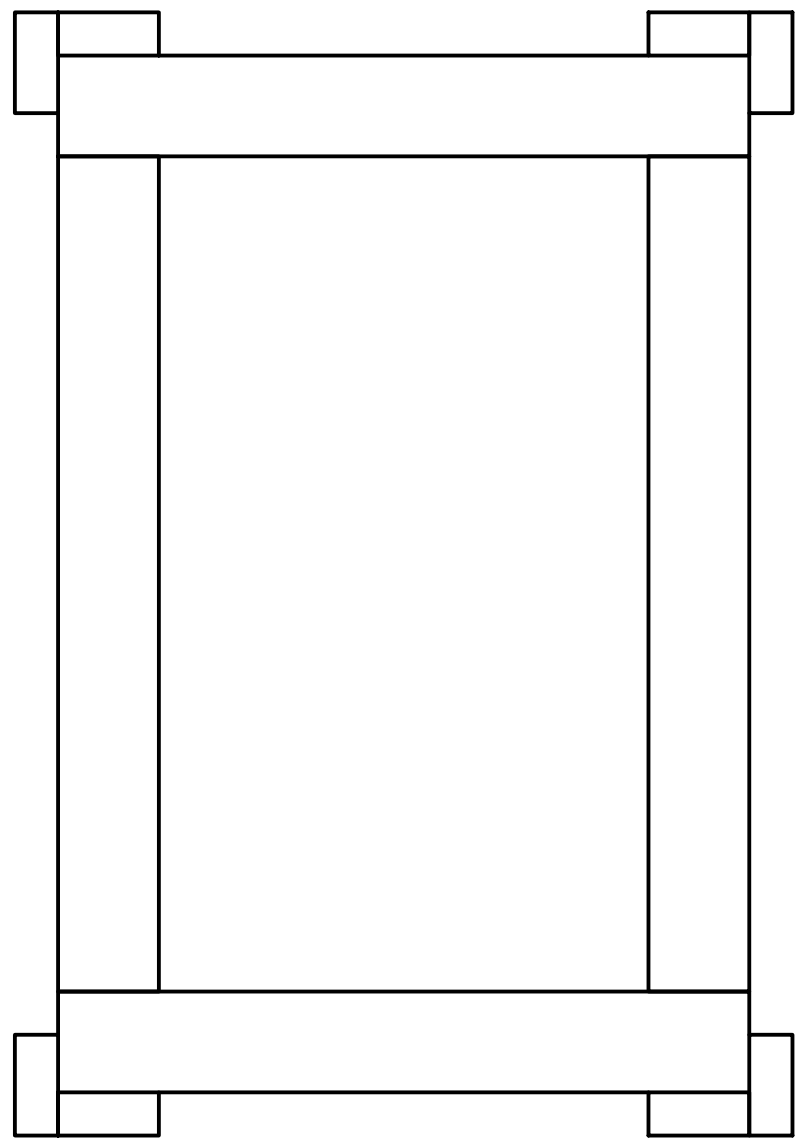
DRAWN Chris Logston	8/25/2011	University of California, Davis		
CHECKED		TITLE		
QA		ACAD Load Bearing Housing		
MFG				
APPROVED		SIZE	DWG NO	REV
		C	AQRG Pump Box 2	
		SCALE	SHEET 4 OF 17	

PRODUCED BY AN AUTODESK EDUCATIONAL PRODUCT

PRODUCED BY AN AUTODESK EDUCATIONAL PRODUCT

Step 3

Parts:
2" x 4" x 22.5" X8



DRAWN Chris Logston	8/25/2011	University of California, Davis		
CHECKED		TITLE		
QA		ACAD Load Bearing Housing		
MFG		SIZE	DWG NO	REV
APPROVED		C	AQRG Pump Box 2	
		SCALE	SHEET 5 OF 17	

PRODUCED BY AN AUTODESK EDUCATIONAL PRODUCT

PRODUCED BY AN AUTODESK EDUCATIONAL PRODUCT

4

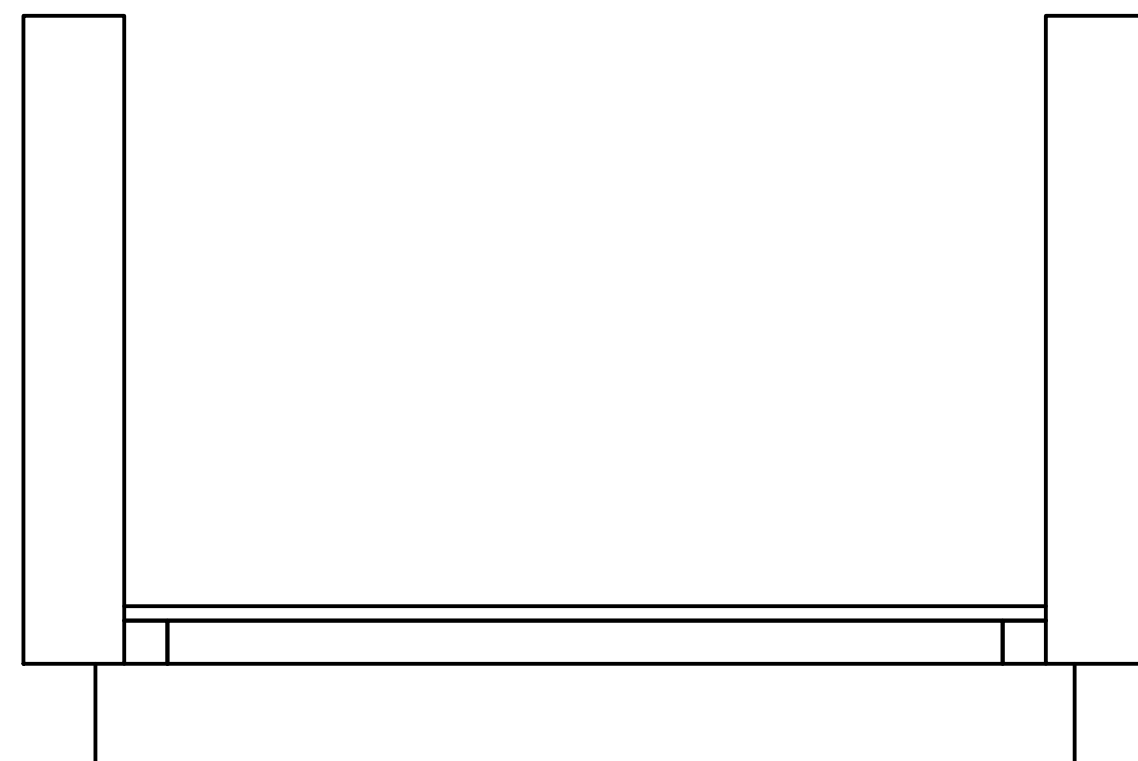
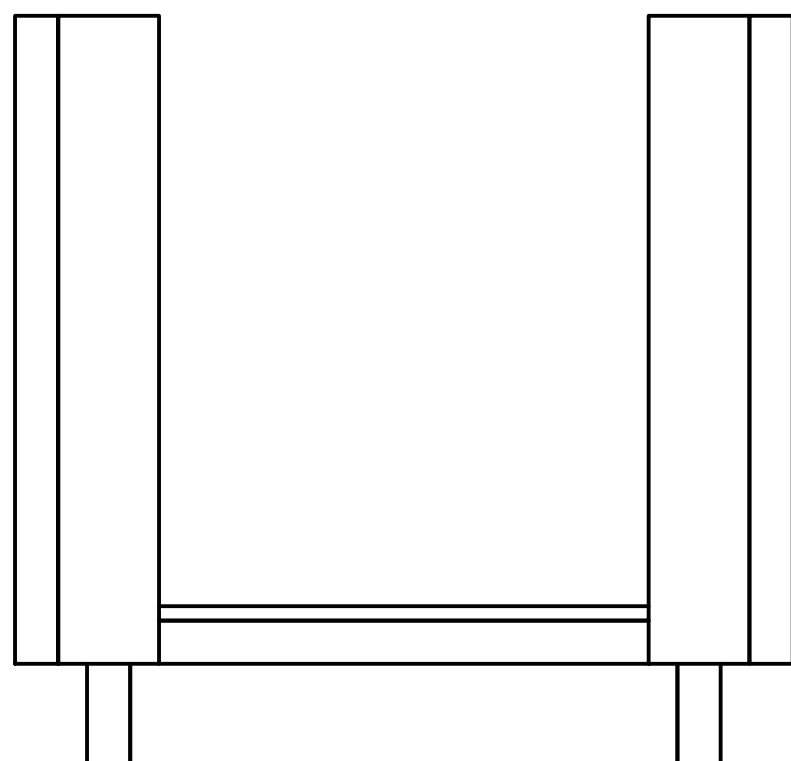
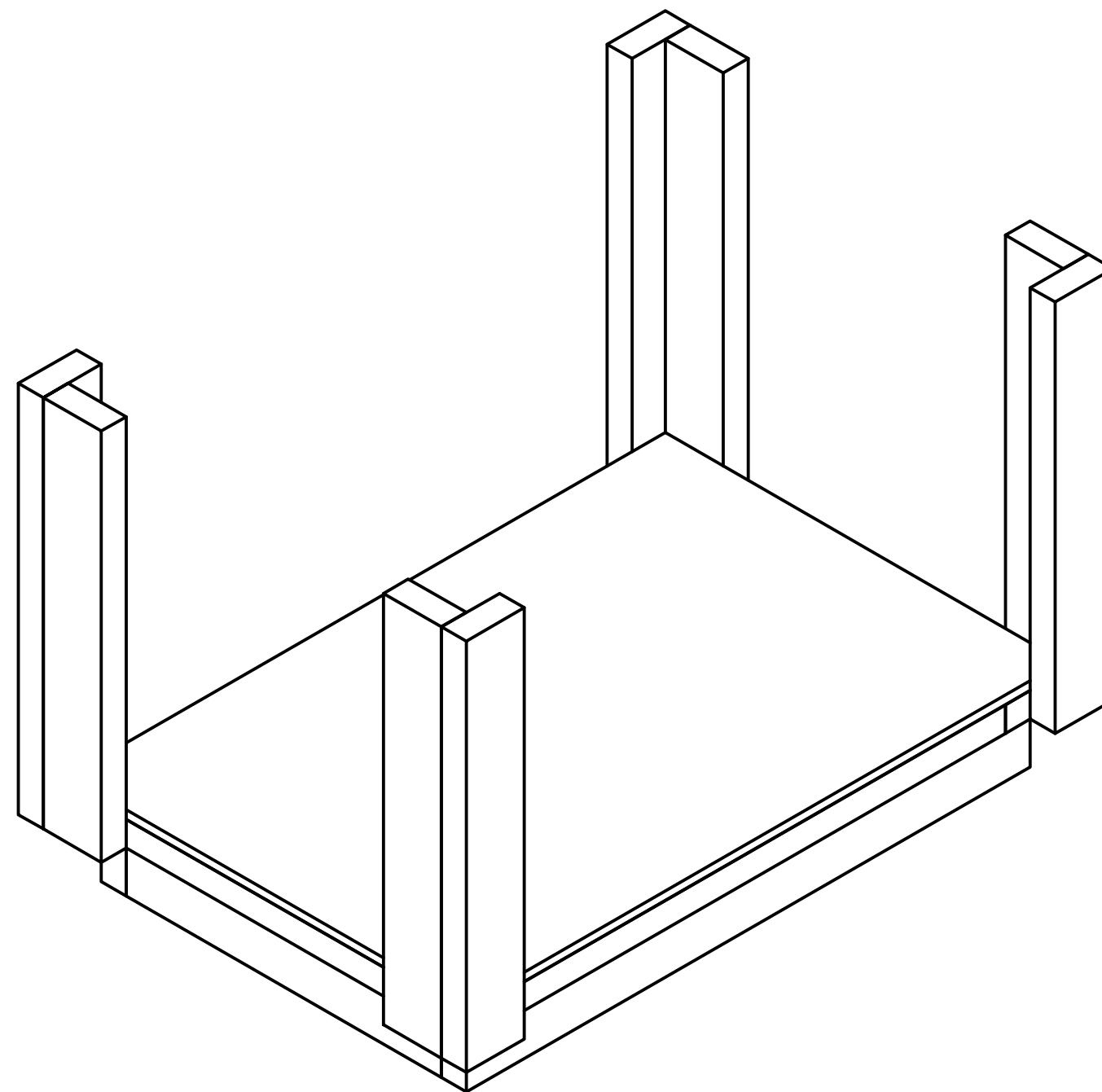
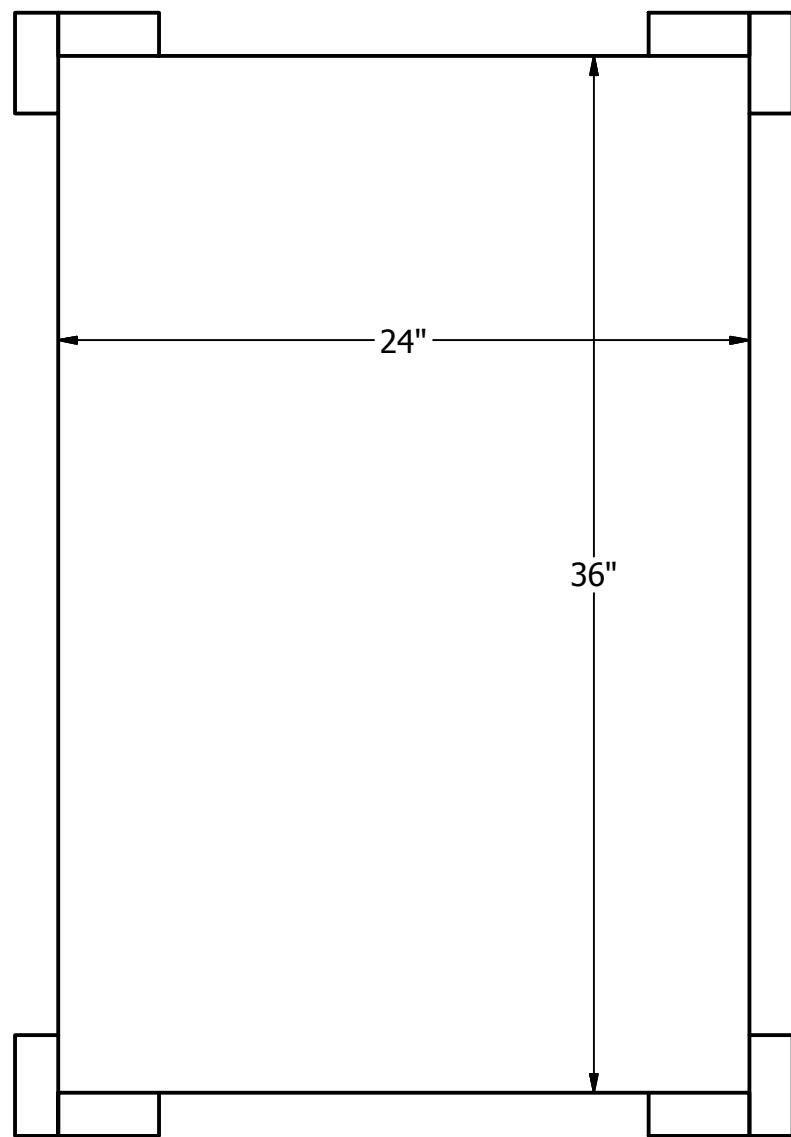
3

2

1

Step 4

Parts:
Sheet 24" x 36" x 0.5" X1



PRODUCED BY AN AUTODESK EDUCATIONAL PRODUCT

PRODUCED BY AN AUTODESK EDUCATIONAL PRODUCT

D

D

C

C

B

B

A

A

DRAWN Chris Logston	8/25/2011	University of California, Davis		
CHECKED		TITLE		
QA		ACAD Load Bearing Housing		
MFG		SIZE	DWG NO	REV
APPROVED		C	AQRG Pump Box 2	
		SCALE	SHEET 6 OF 17	

4

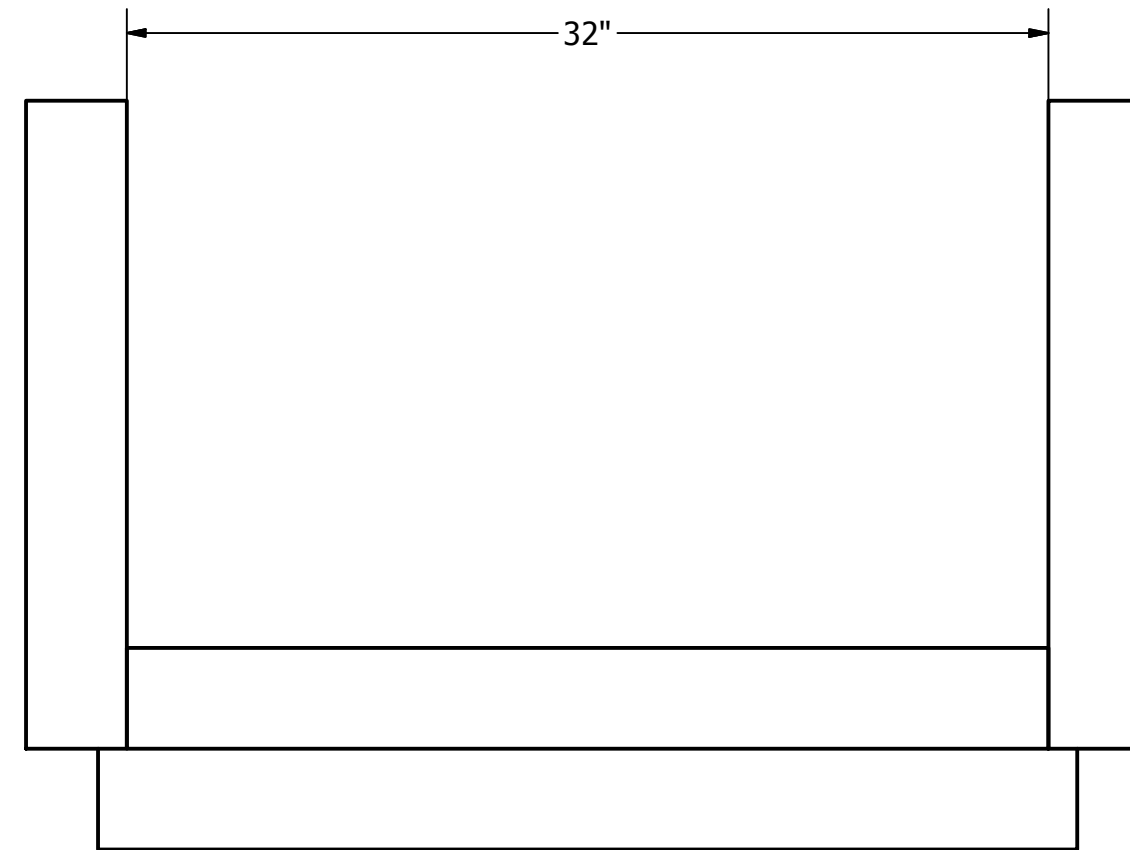
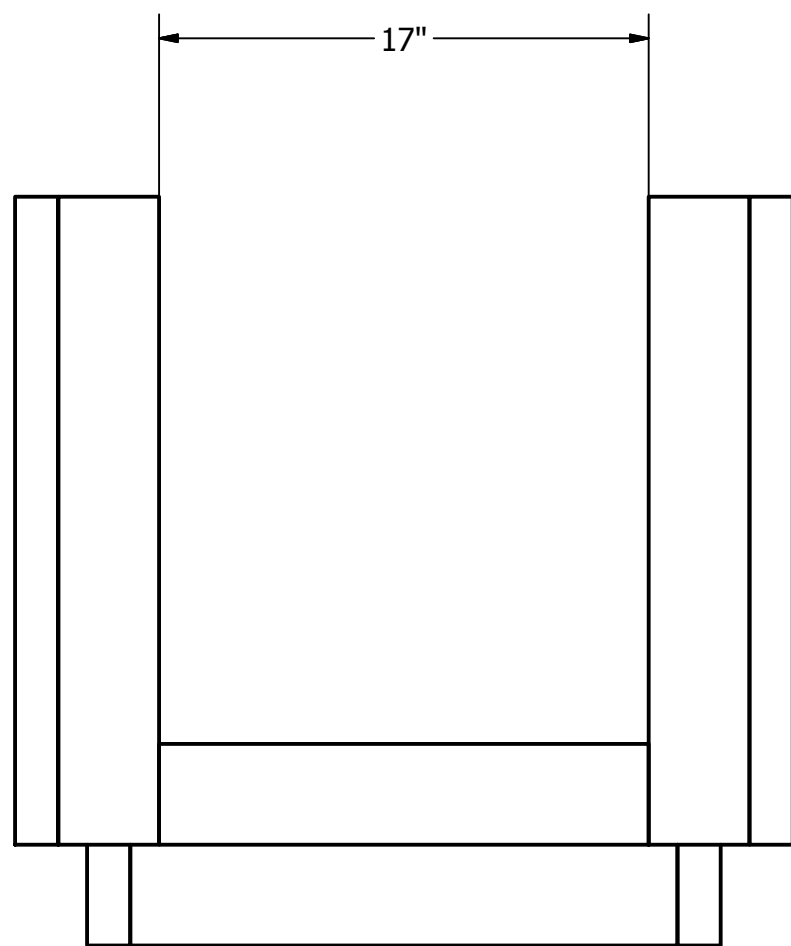
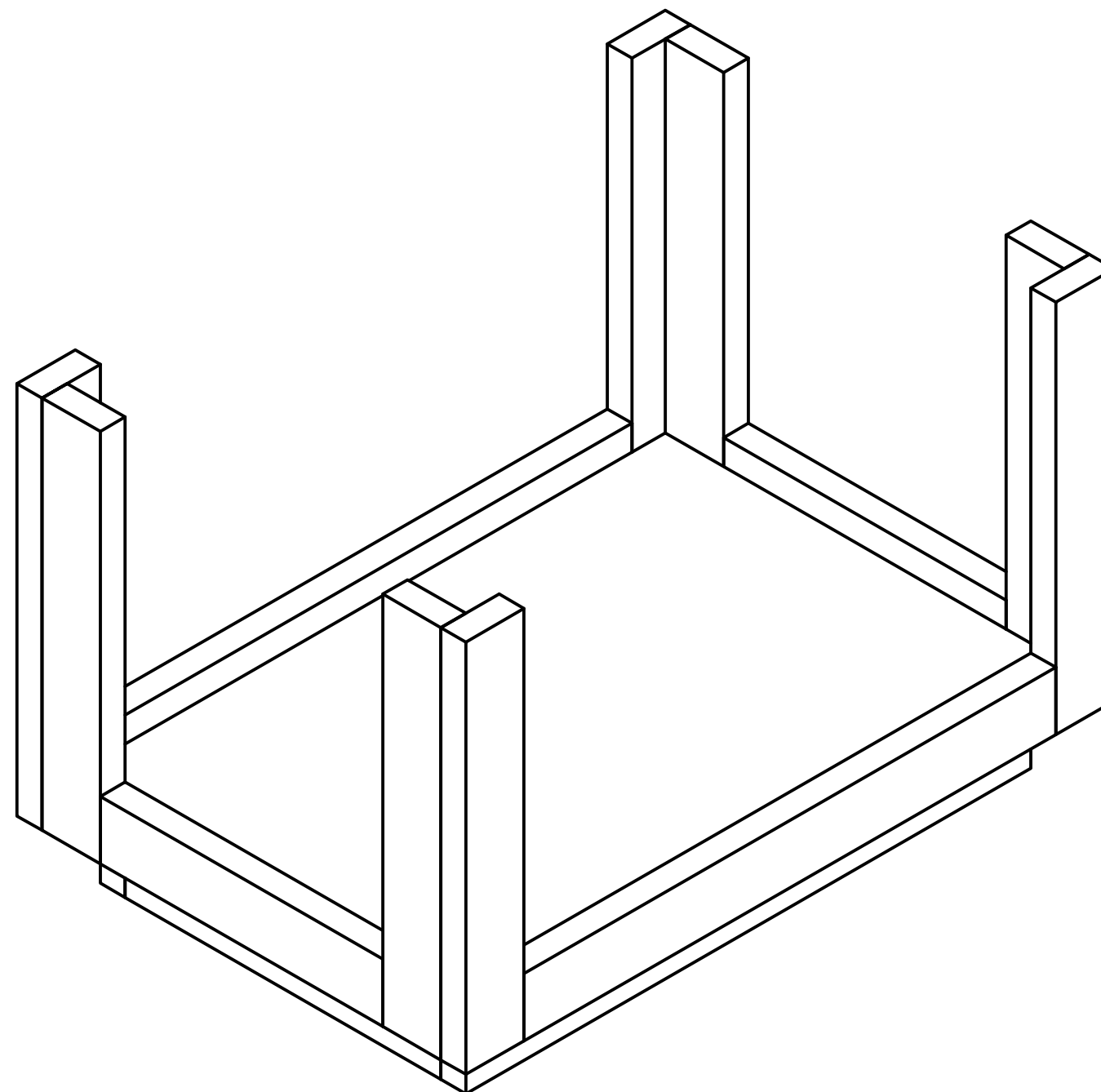
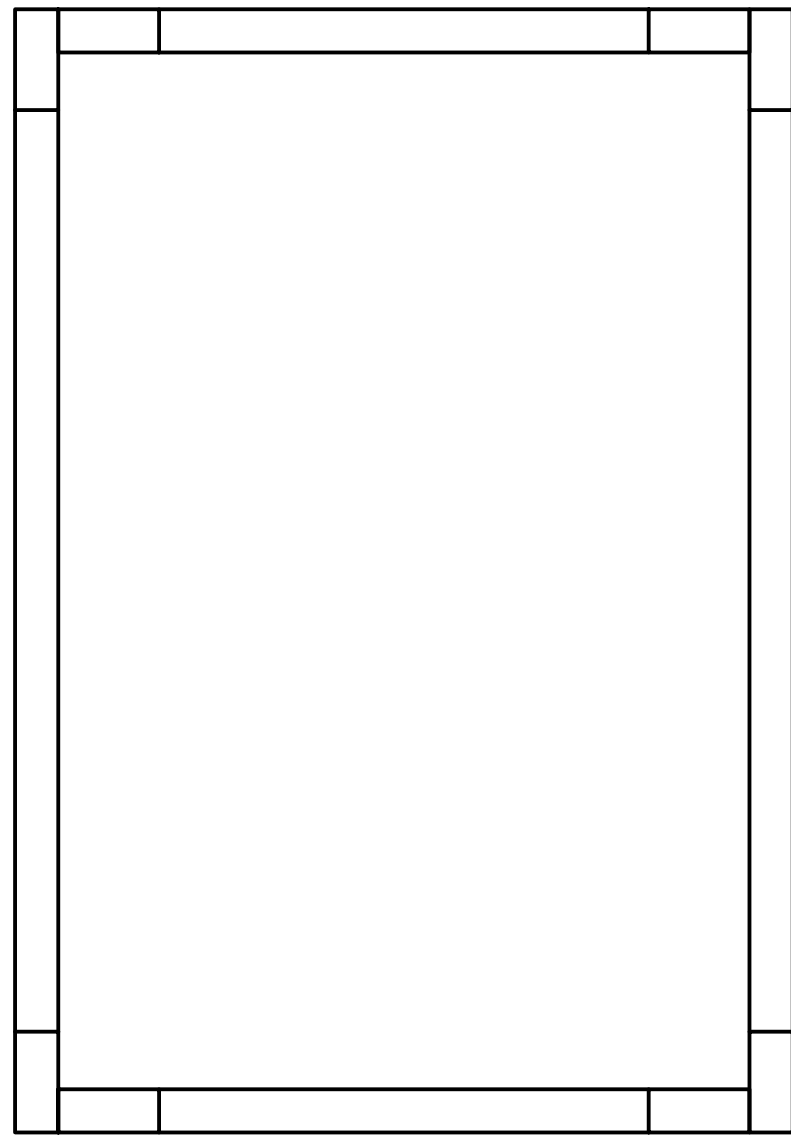
3

2

1

Step 5

- Parts:
- 2" x 4" x 32" X2
 - 2" x 4" x 17" X2



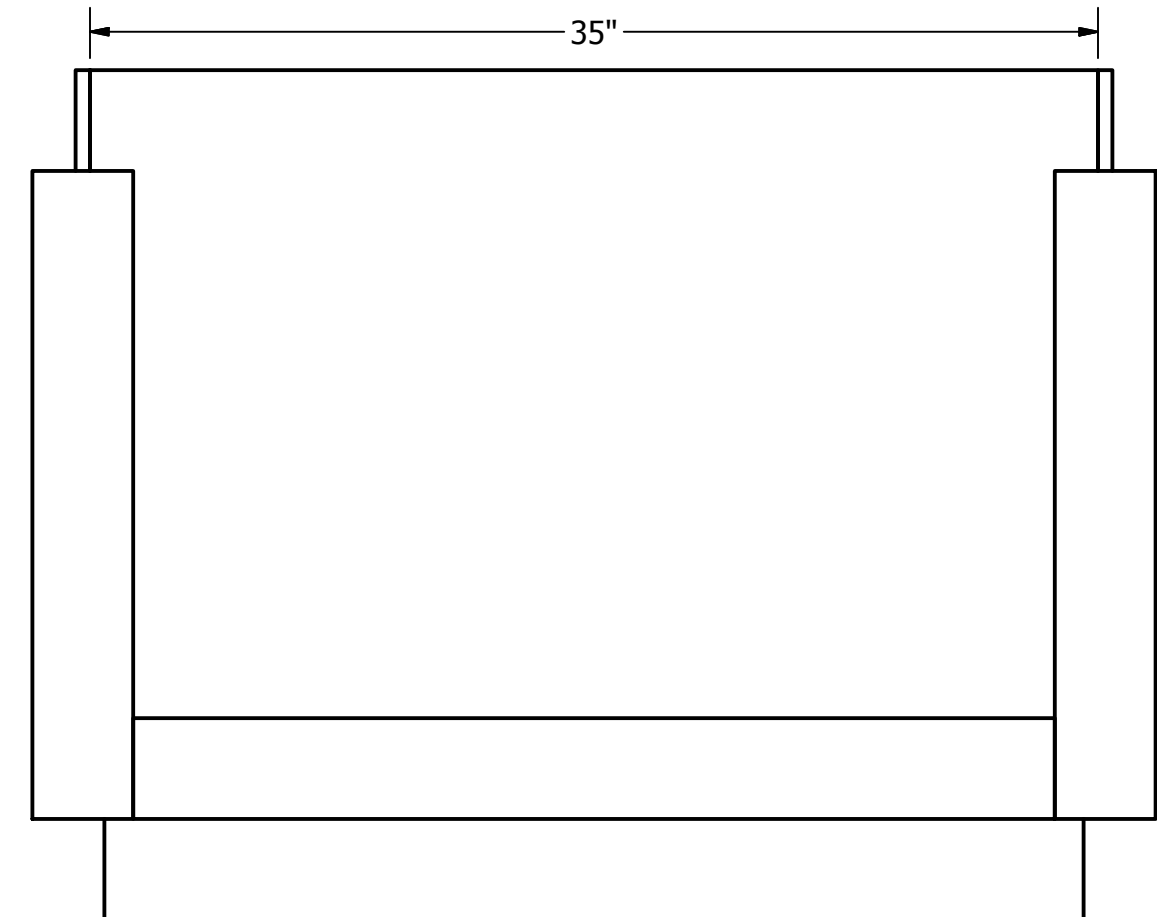
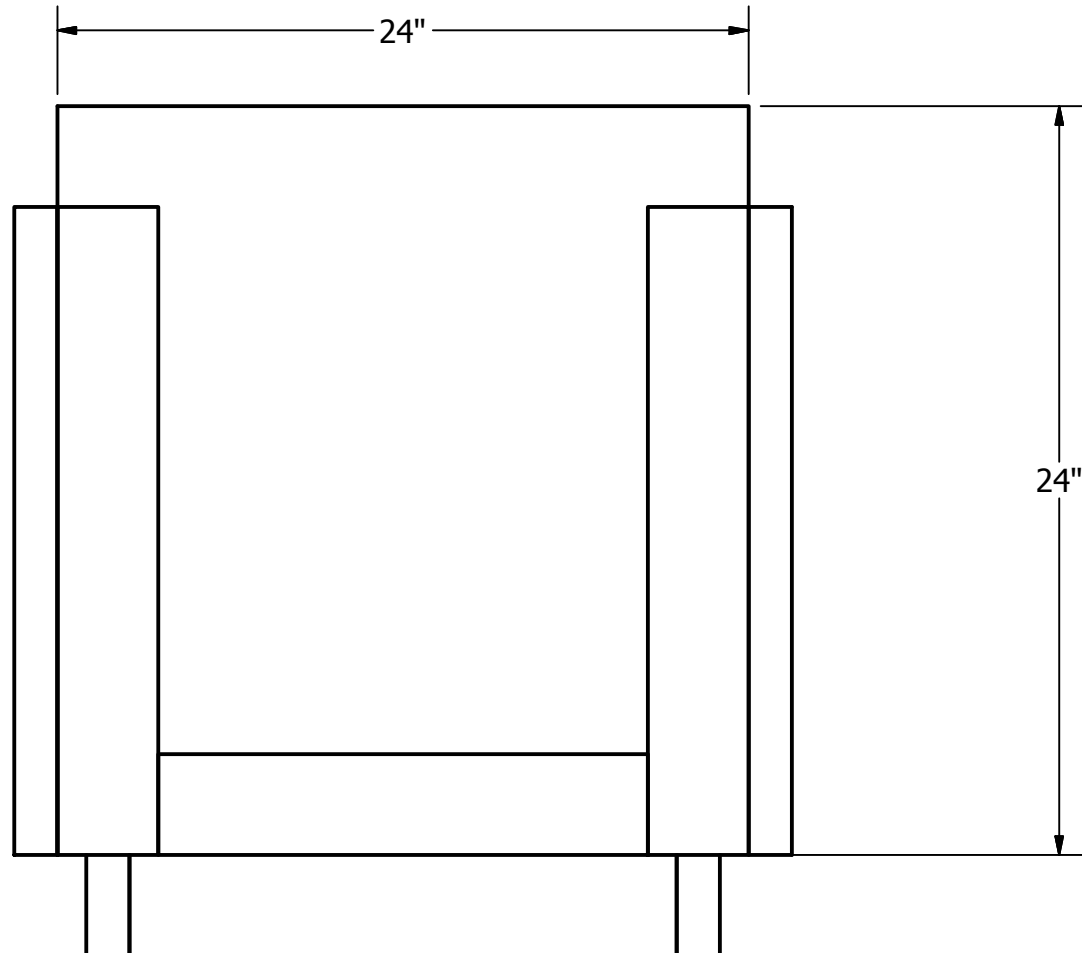
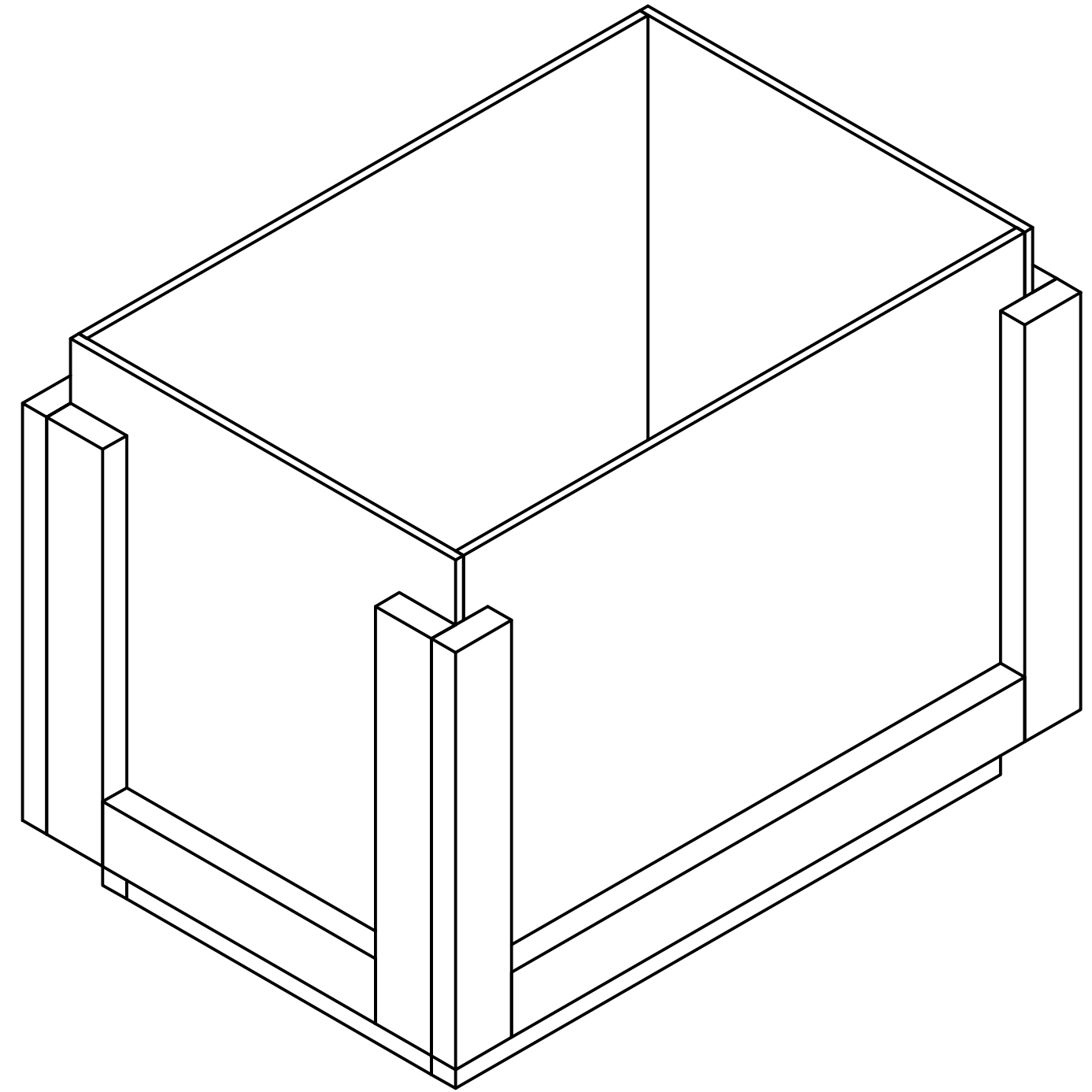
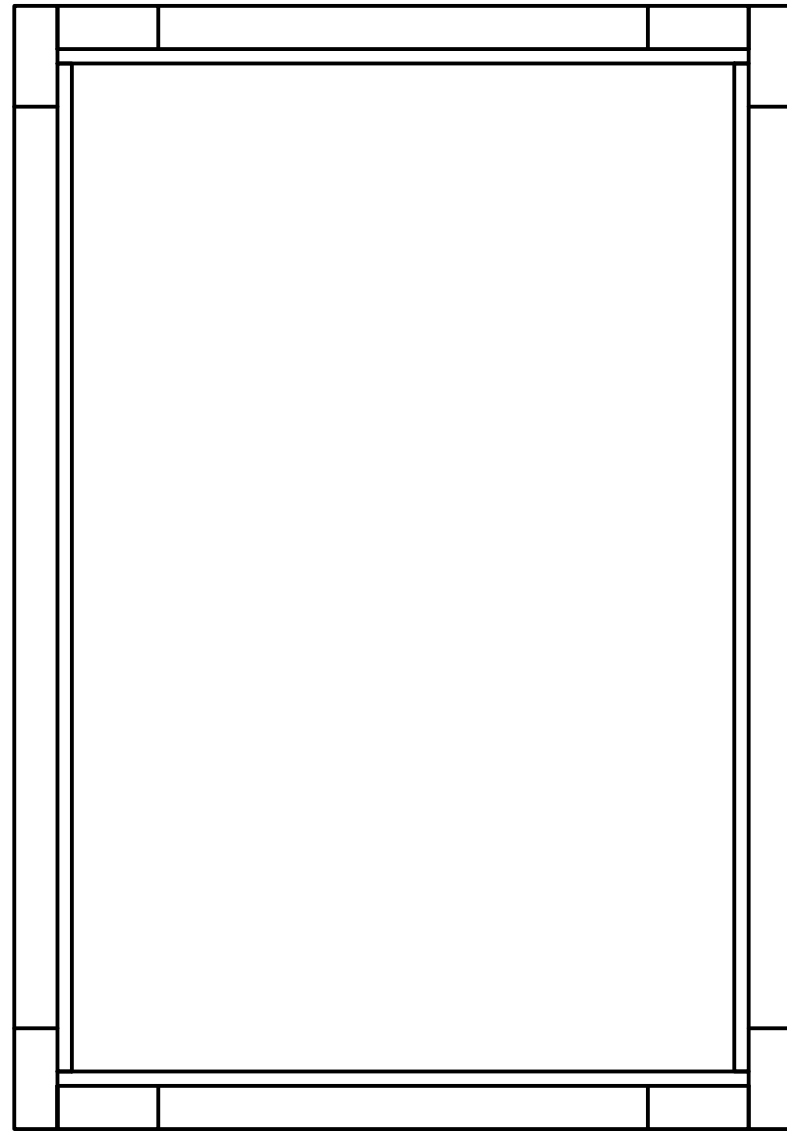
DRAWN Chris Logston		8/25/2011		University of California, Davis	
CHECKED				TITLE	
QA				ACAD Load Bearing Housing	
MFG					
APPROVED					
		SIZE		DWG NO	REV
		C		AQRG Pump Box 2	
		SCALE		SHEET 7 OF 17	

PRODUCED BY AN AUTODESK EDUCATIONAL PRODUCT

PRODUCED BY AN AUTODESK EDUCATIONAL PRODUCT

Step 6

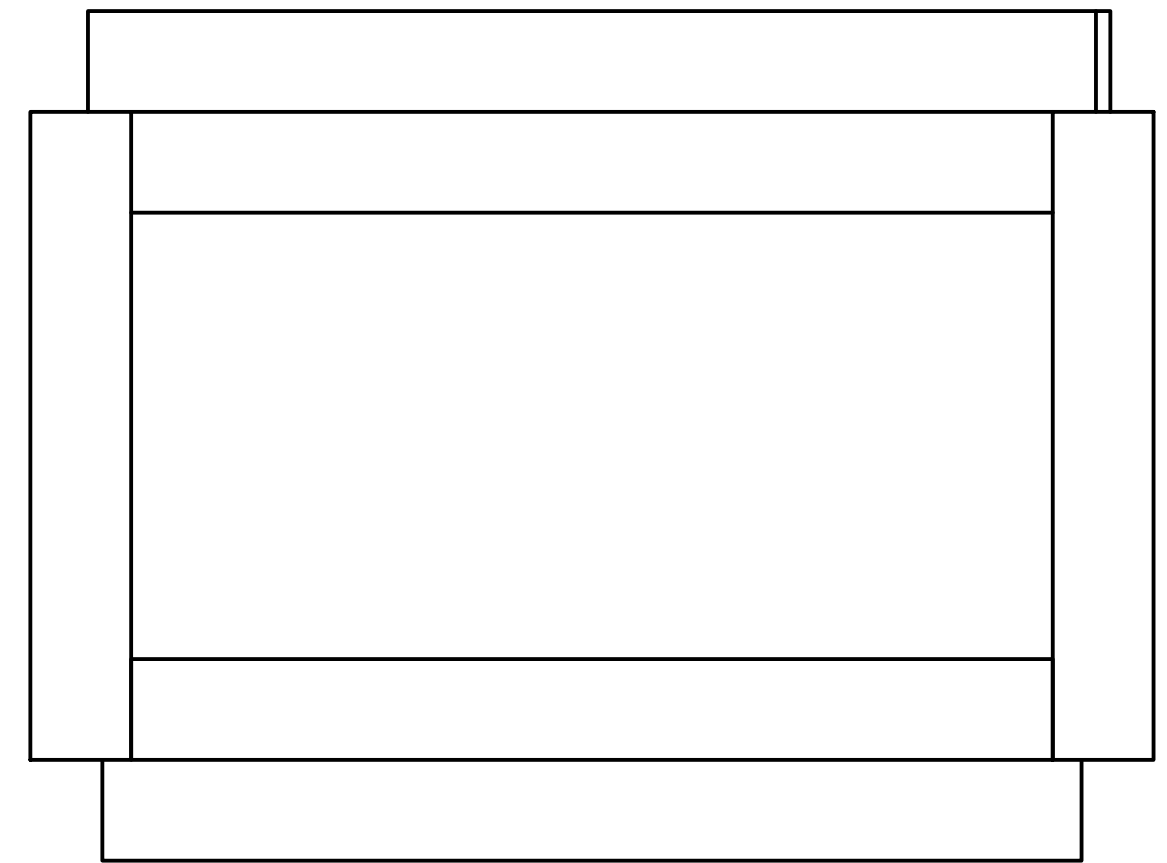
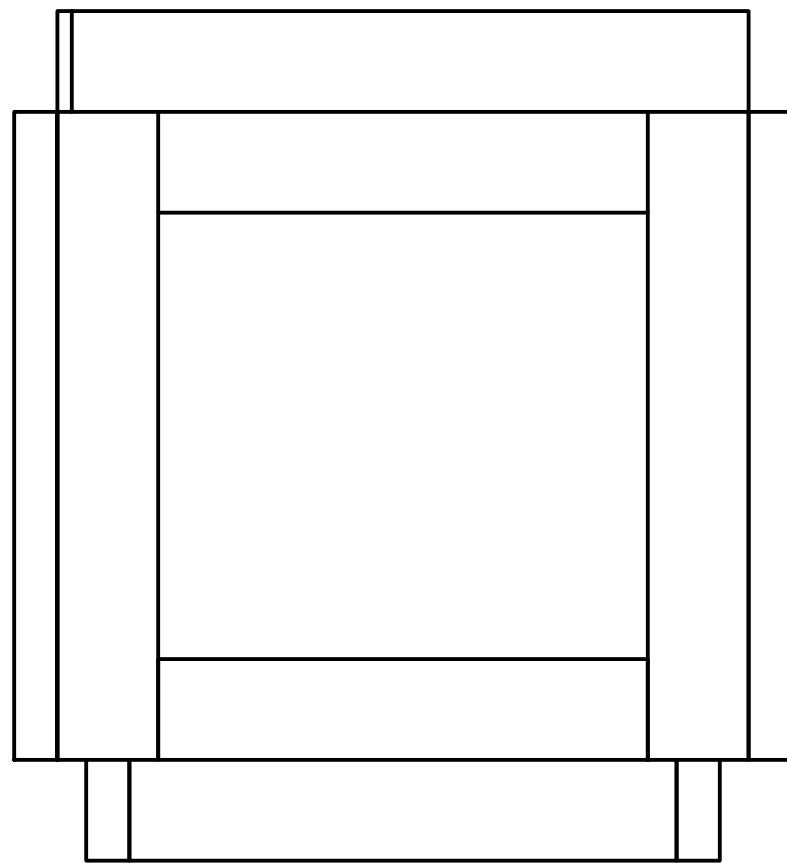
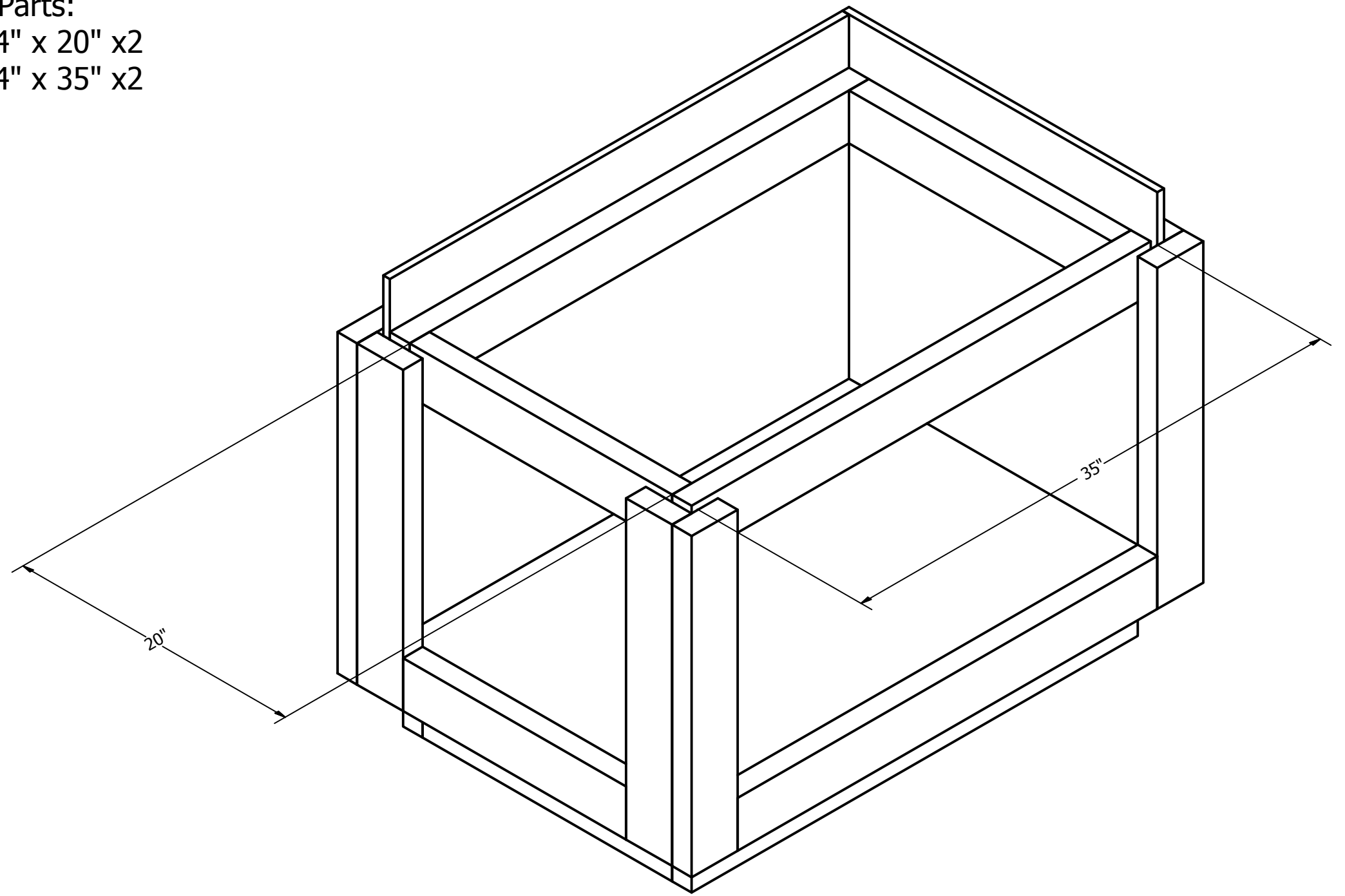
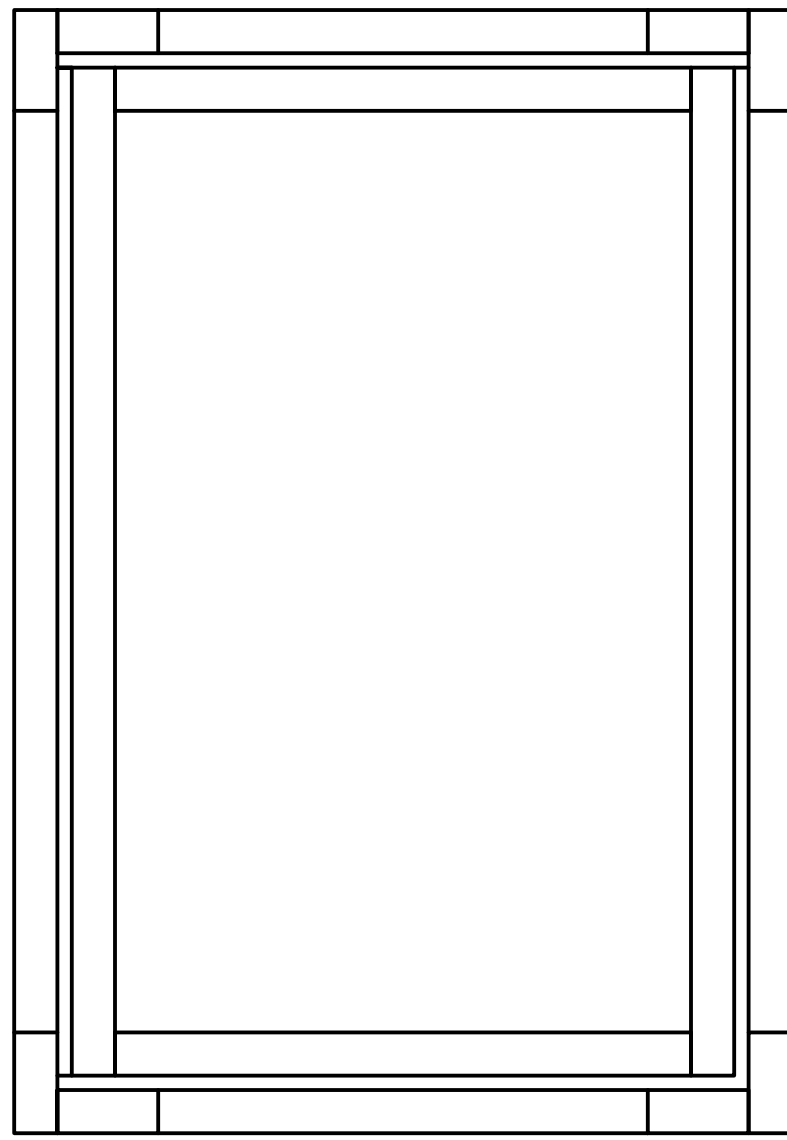
Parts:
Sheet 24" x 24" x 0.5" x1
Sheet 24" x 26" x 0.5" x1



DRAWN Chris Logston	8/25/2011	University of California, Davis		
CHECKED		TITLE		
QA		ACAD Load Bearing Housing		
MFG		SIZE	DWG NO	REV
APPROVED		C	AQRG Pump Box 2	
		SCALE	SHEET 8 OF 17	

Step 7

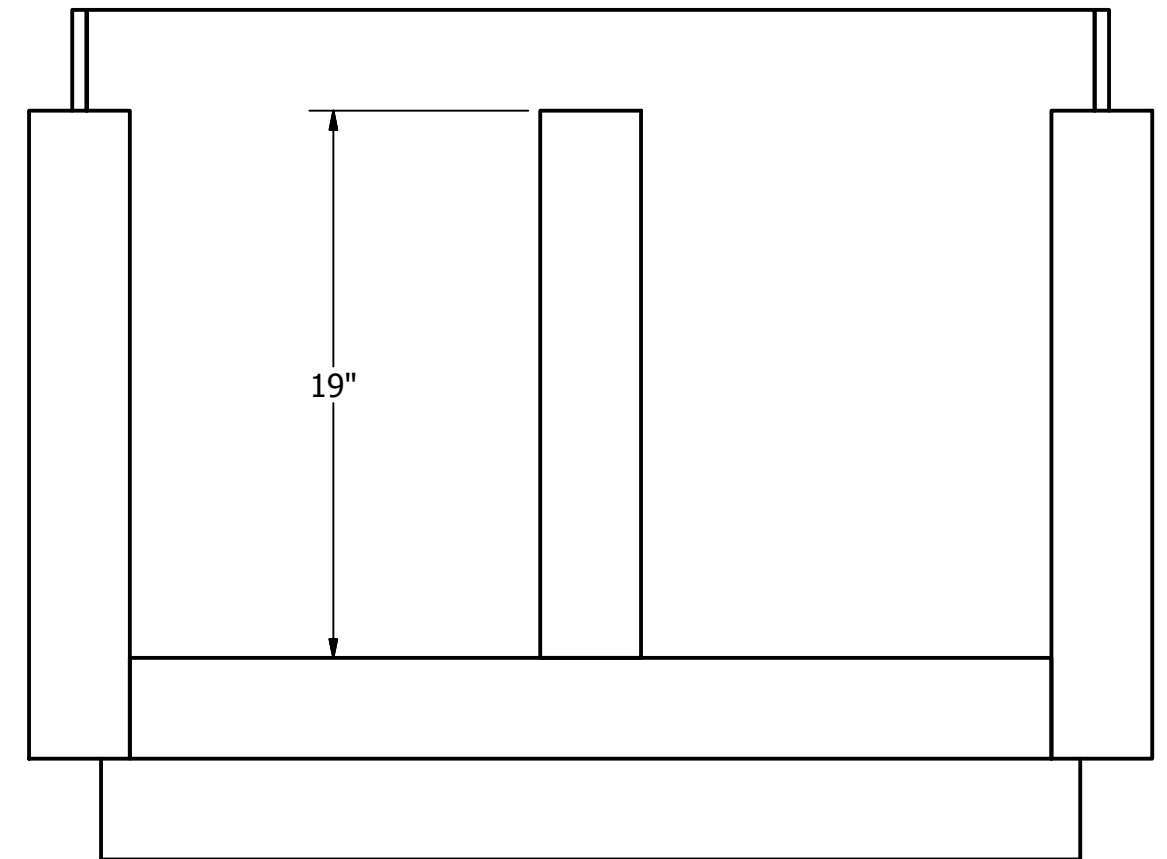
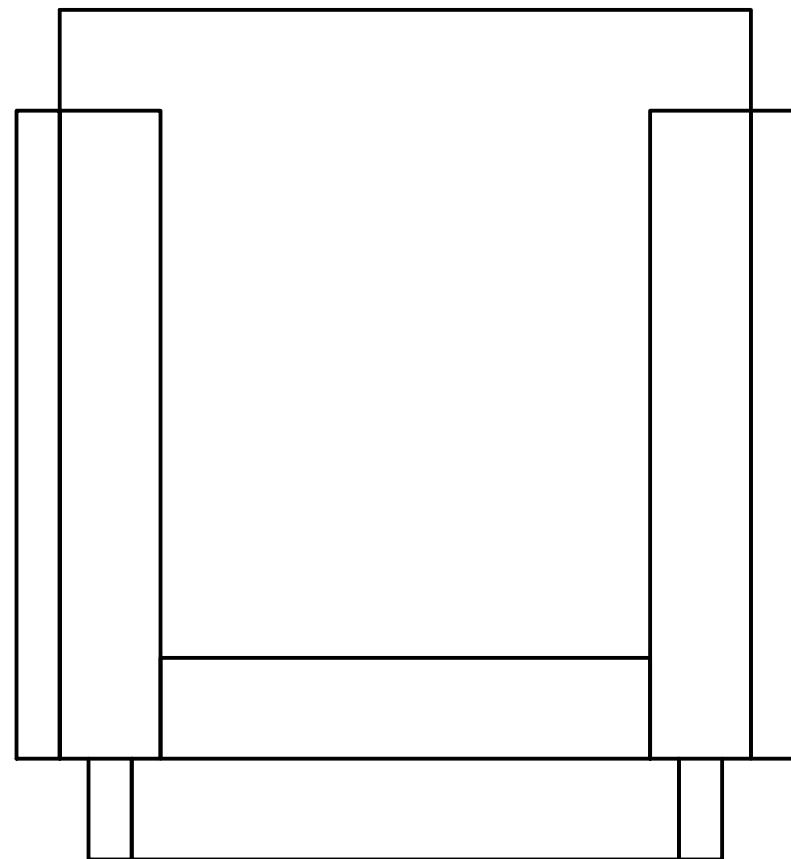
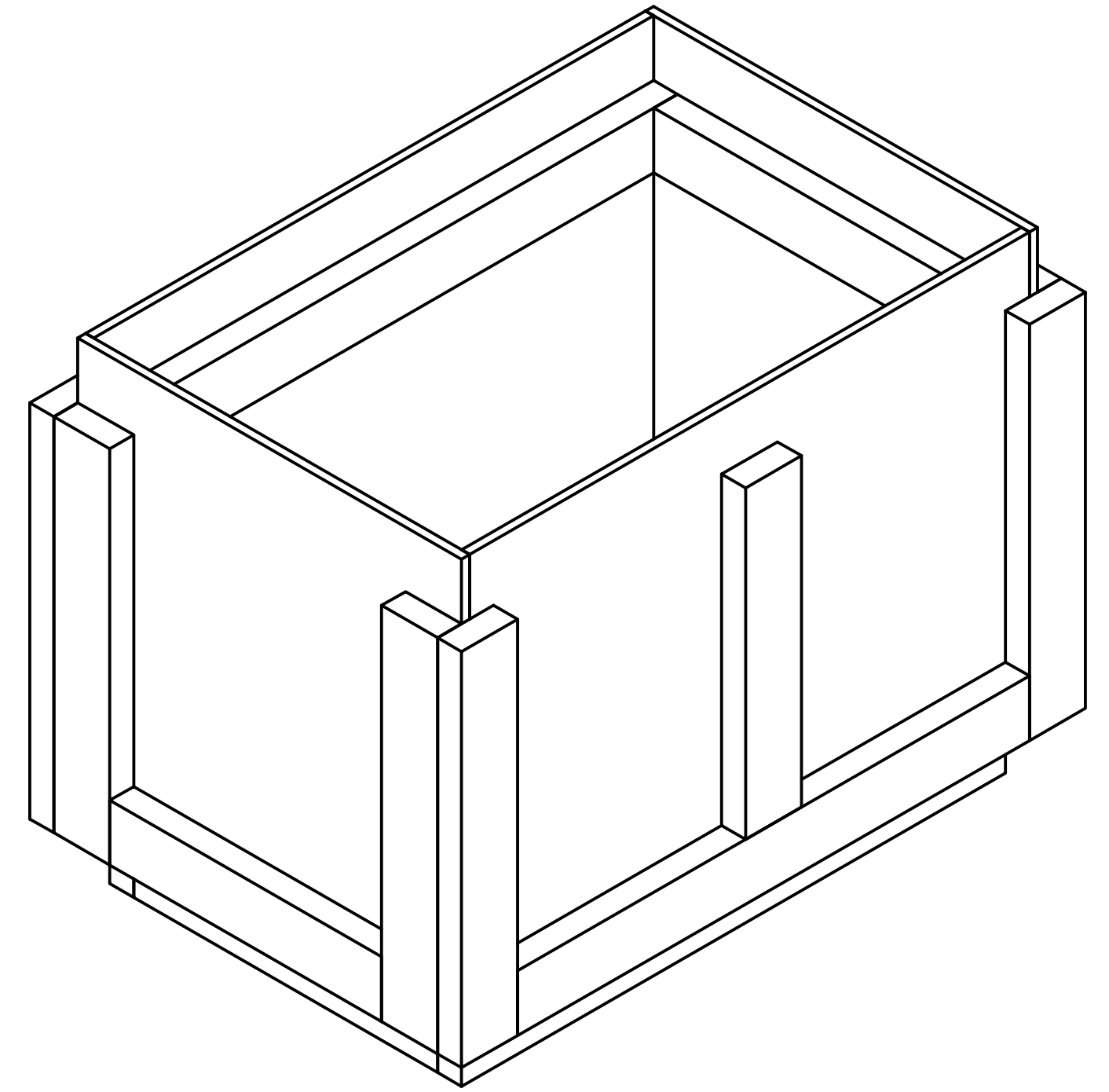
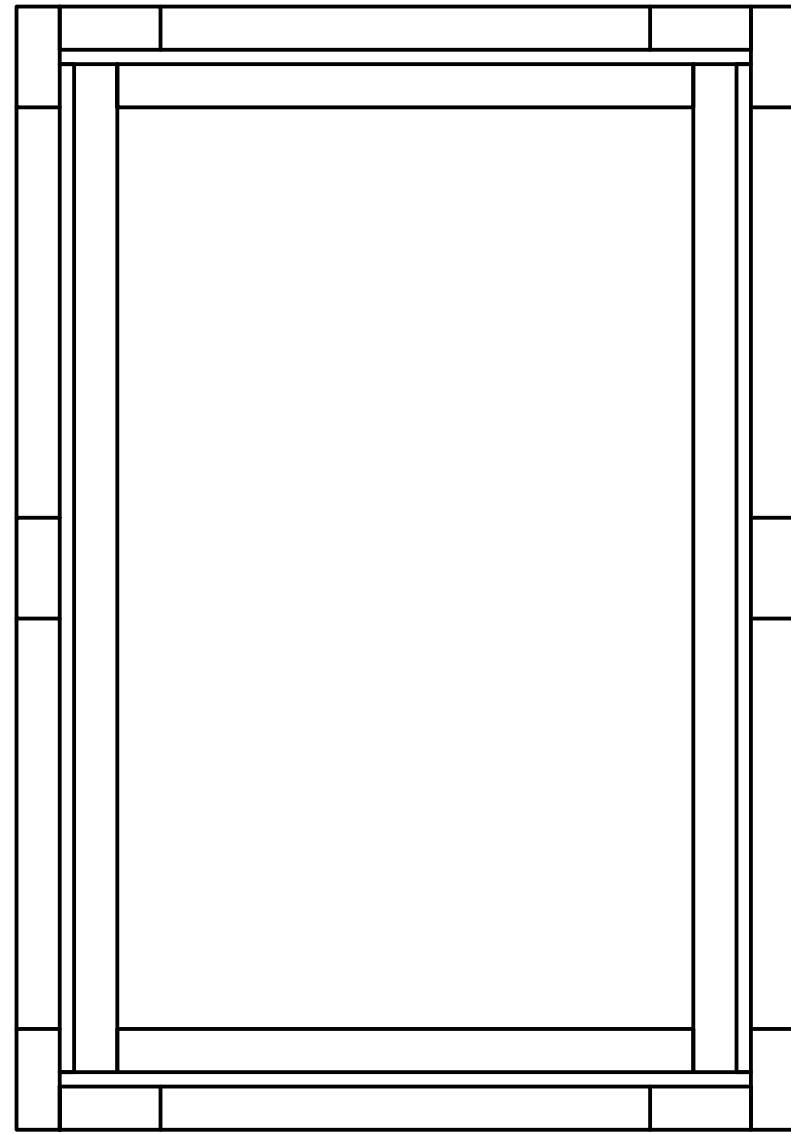
- Parts:
 2" x 4" x 20" x2
 4" x 4" x 35" x2



DRAWN Chris Logston		8/25/2011		University of California, Davis	
CHECKED				TITLE	
QA				ACAD Load Bearing Housing	
MFG				SIZE	
APPROVED				C	
		SCALE		DWG NO	
				AQRG Pump Box 2	
				REV	
				SHEET 9 OF 17	

Step 8

Parts:
2" x 4" x 19" x2



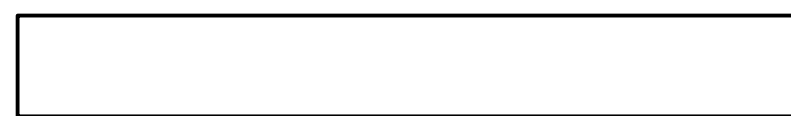
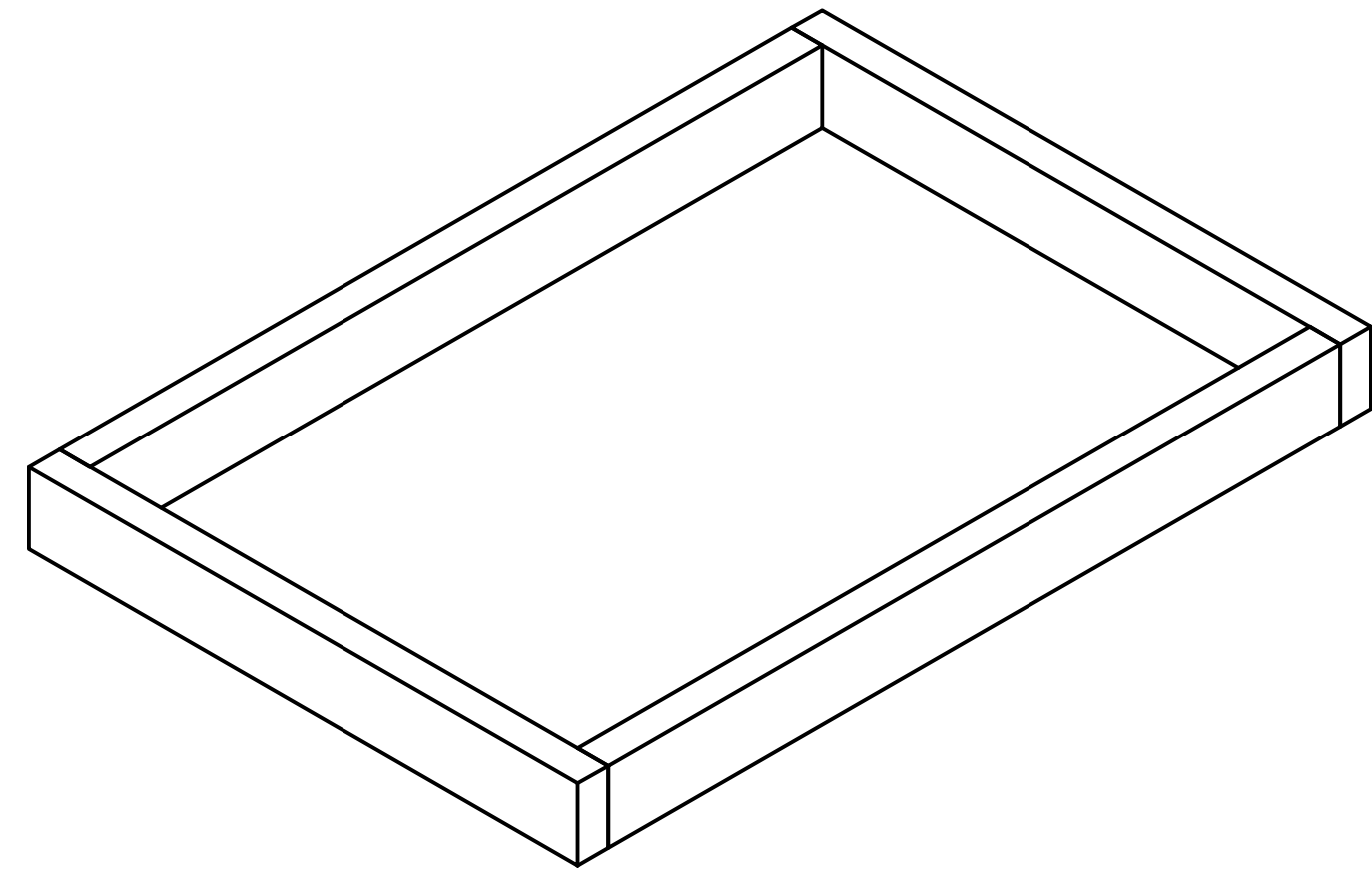
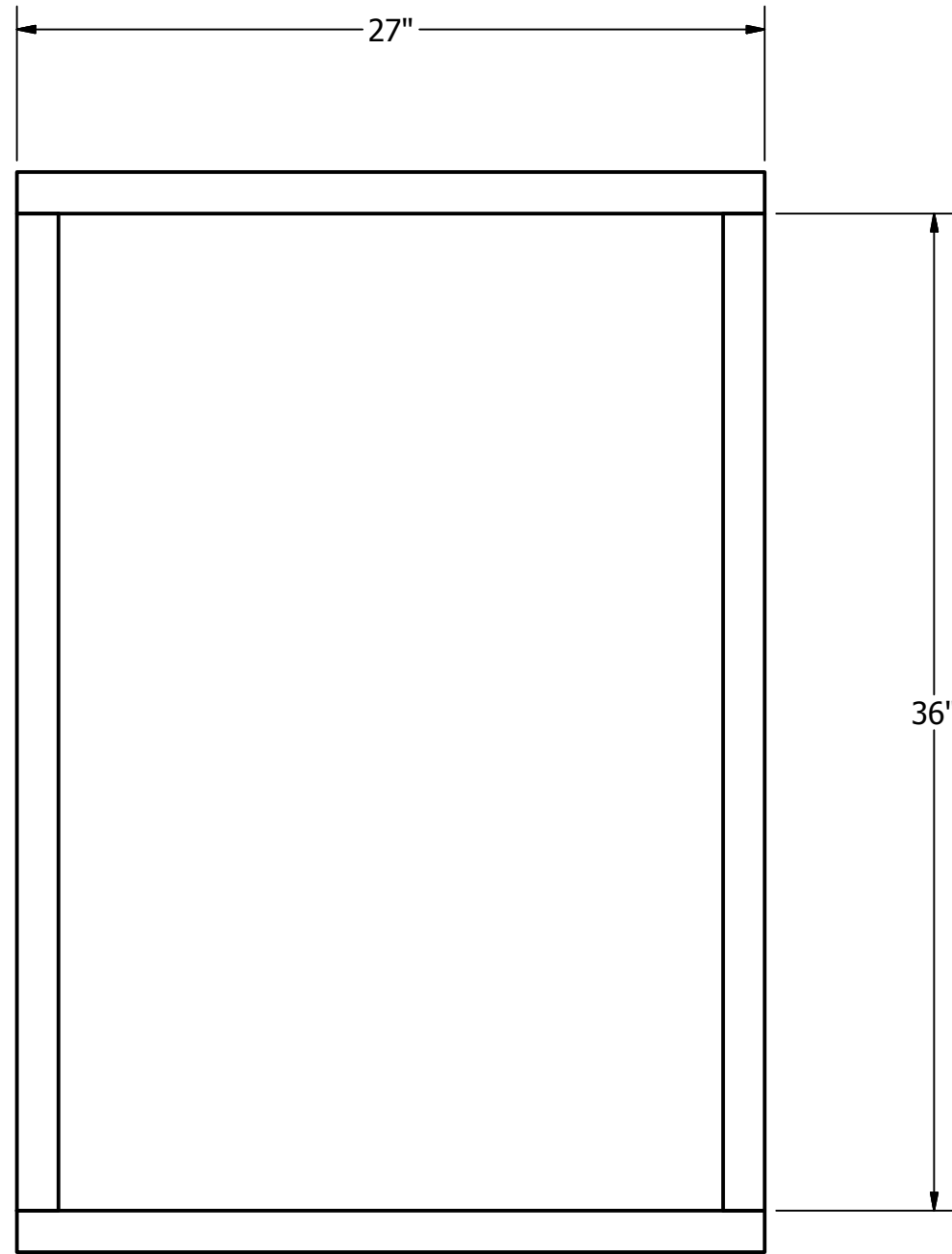
DRAWN Chris Logston		8/25/2011		University of California, Davis	
CHECKED				TITLE	
QA				ACAD Load Bearing Housing	
MFG				SIZE	
APPROVED				C	
		SCALE		DWG NO	
				AQRG Pump Box 2	
				REV	
				SHEET 10 OF 17	

PRODUCED BY AN AUTODESK EDUCATIONAL PRODUCT

PRODUCED BY AN AUTODESK EDUCATIONAL PRODUCT

Step 9
(Roof)

Parts:
2" x 4" x 27" x2
4" x 4" x 36" x2



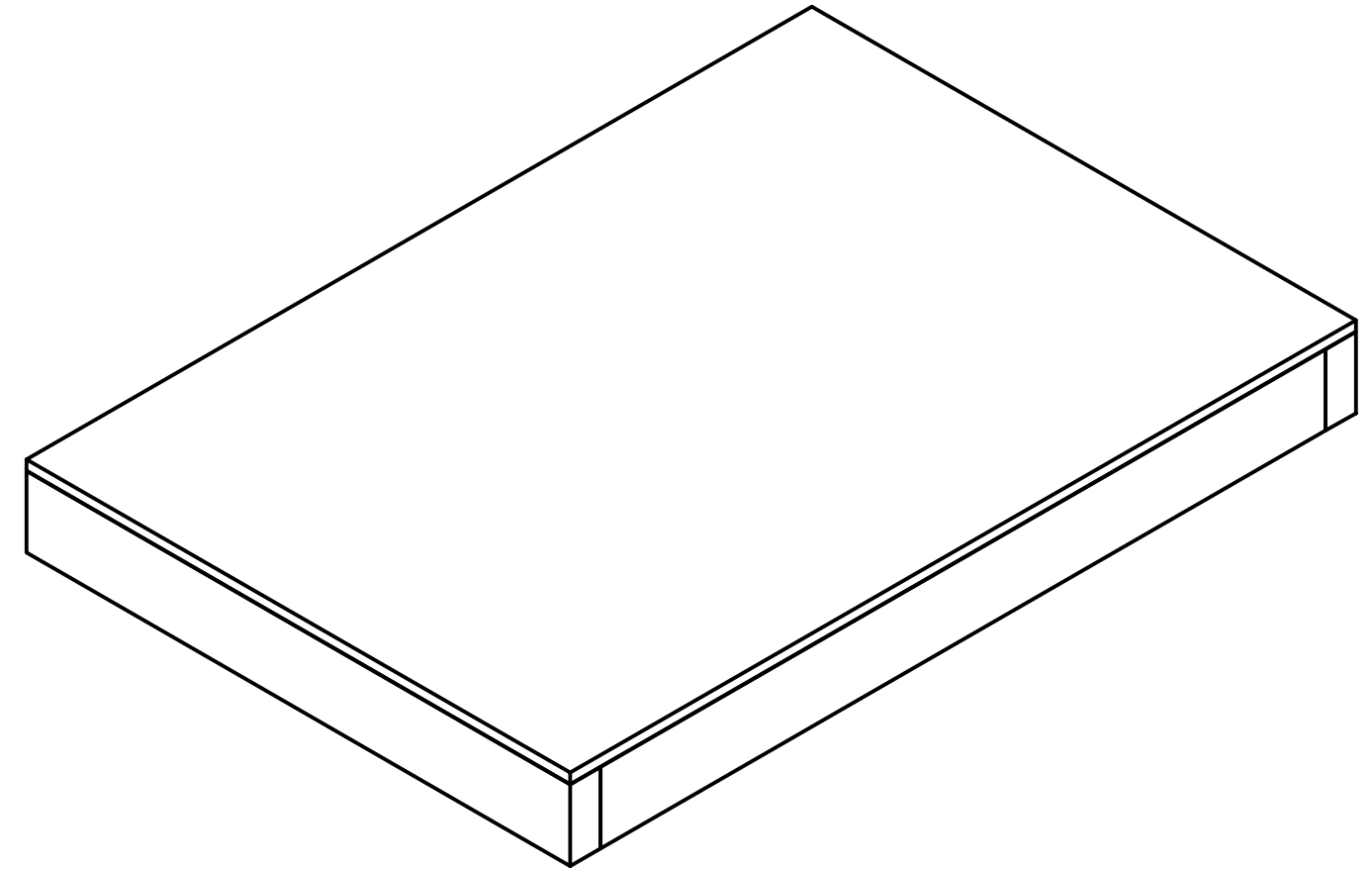
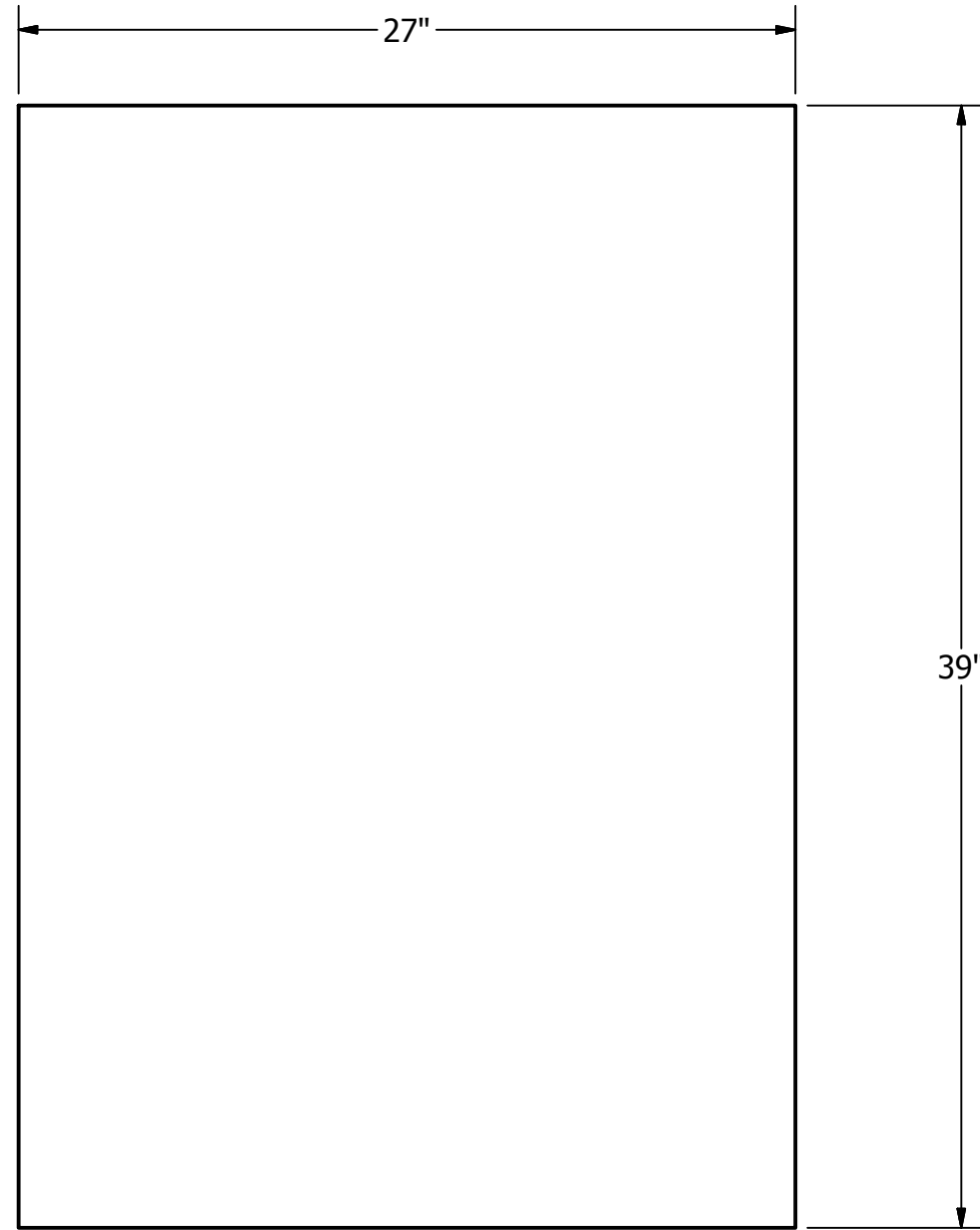
DRAWN Chris Logston	8/25/2011	University of California, Davis		
CHECKED		TITLE		
QA		ACAD Load Bearing Housing		
MFG		SIZE	DWG NO	REV
APPROVED		C	AQRG Pump Box 2	
		SCALE	SHEET 11 OF 17	

PRODUCED BY AN AUTODESK EDUCATIONAL PRODUCT

PRODUCED BY AN AUTODESK EDUCATIONAL PRODUCT

Step 10

Parts:
Sheet 27" x 39" x 0.5" x1



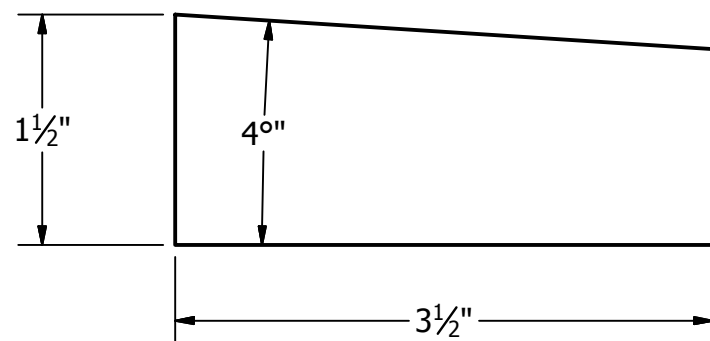
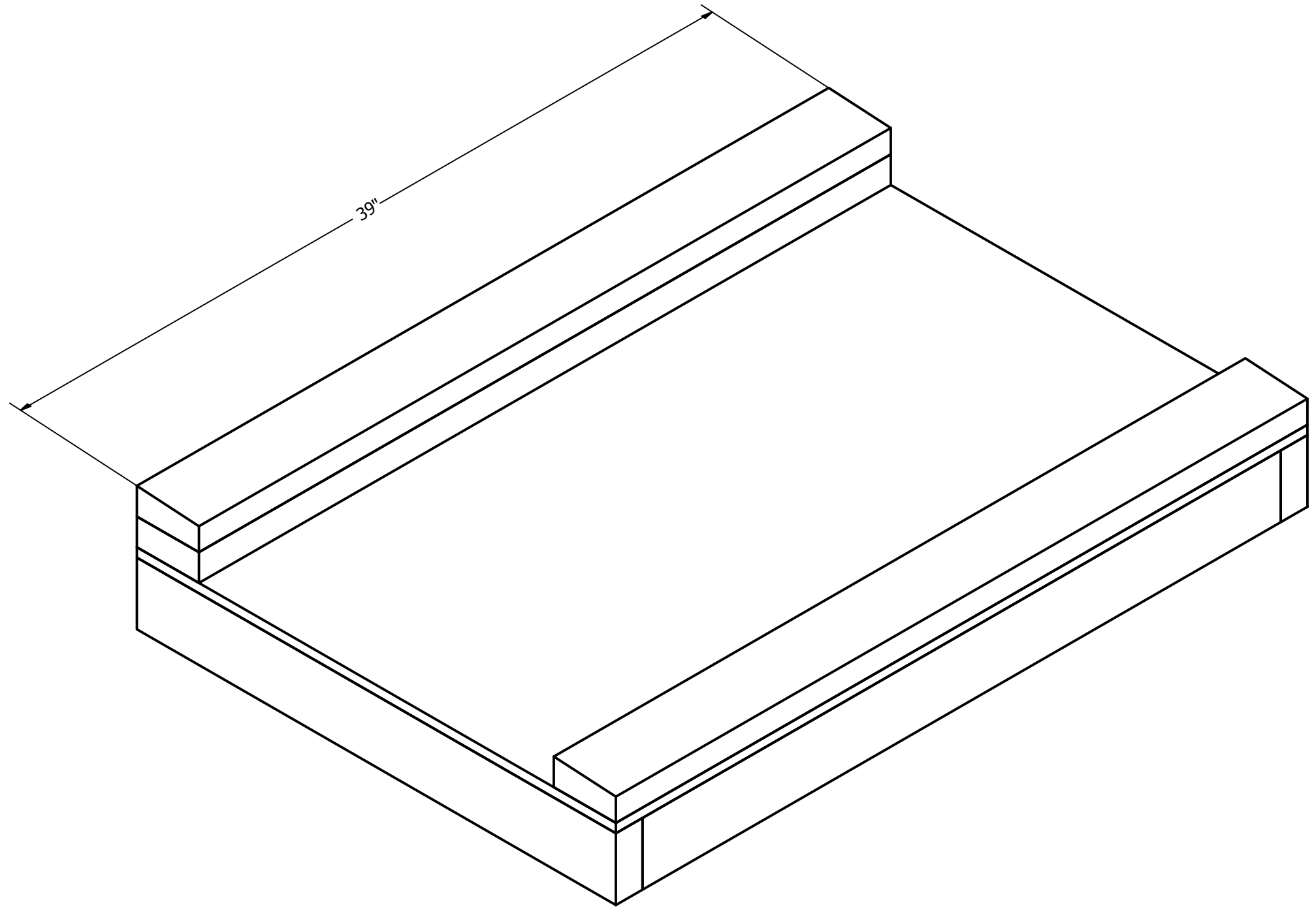
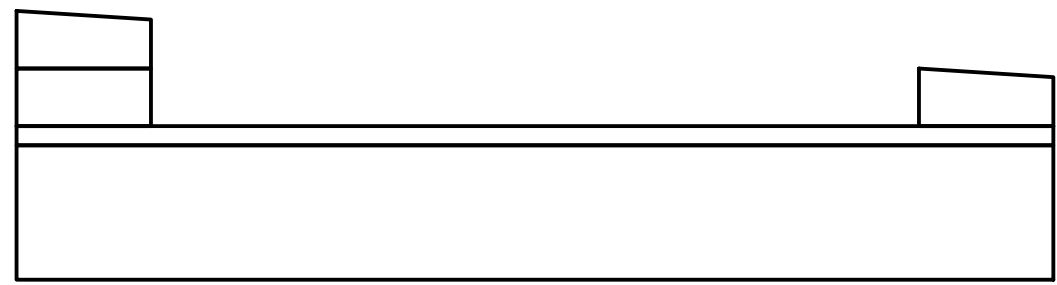
DRAWN Chris Logston	8/25/2011	University of California, Davis		
CHECKED		TITLE		
QA		ACAD Load Bearing Housing		
MFG		SIZE	DWG NO	REV
APPROVED		C	AQRG Pump Box 2	
		SCALE	SHEET 12 OF 17	

PRODUCED BY AN AUTODESK EDUCATIONAL PRODUCT

PRODUCED BY AN AUTODESK EDUCATIONAL PRODUCT

Step 11

- Parts:
 2" x 4" x 39" x1
 2" x 4" x 39" (Sloped) x1



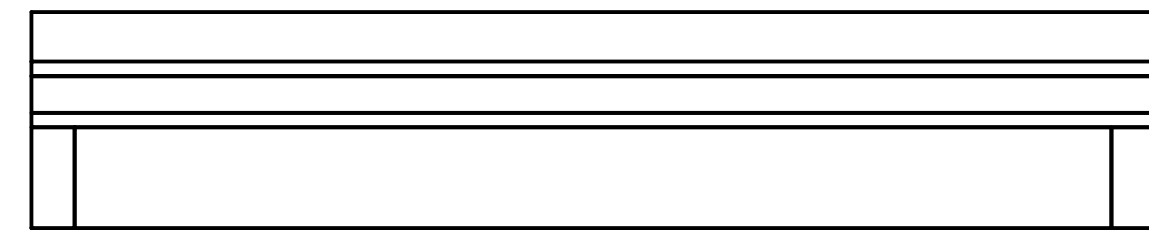
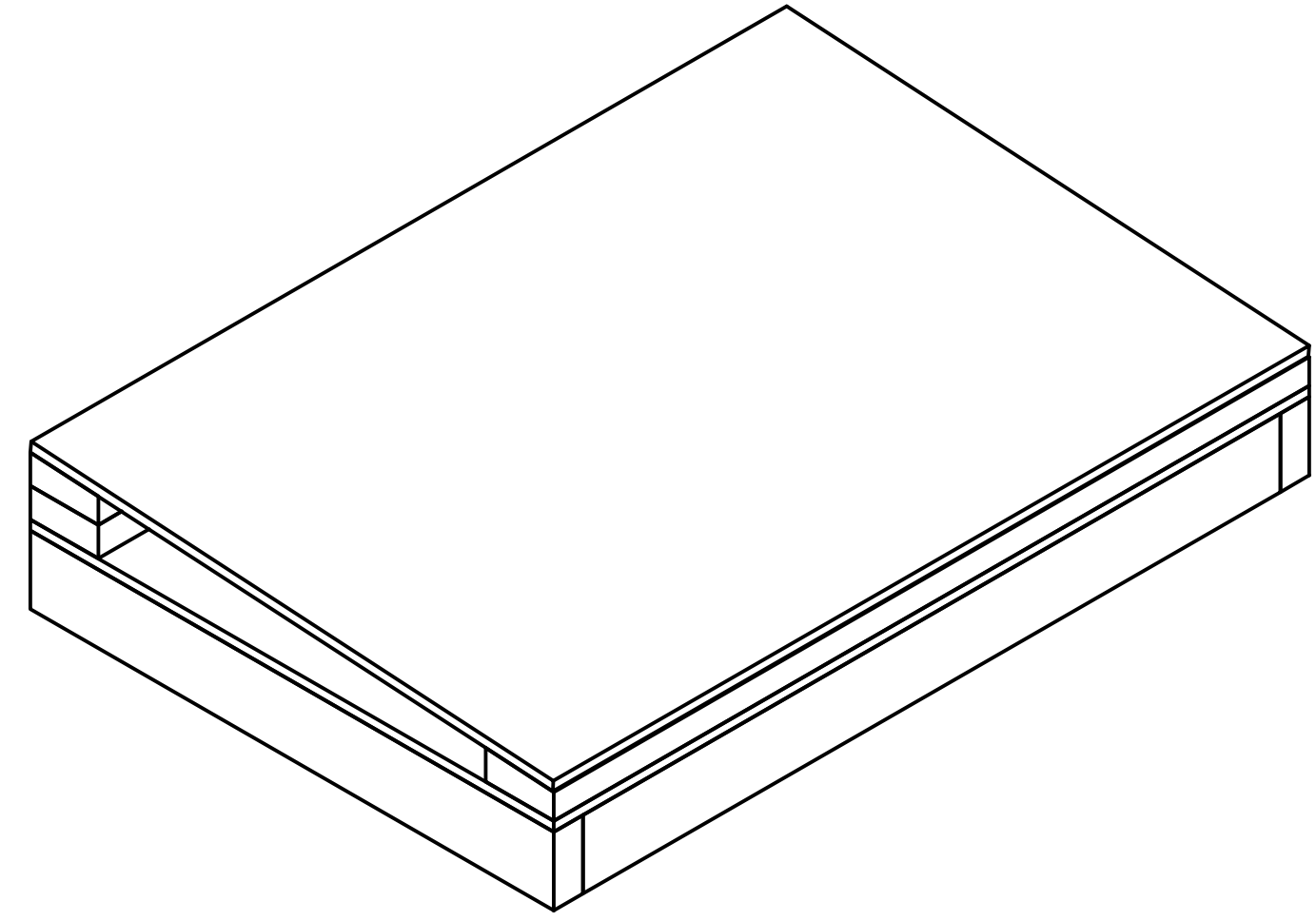
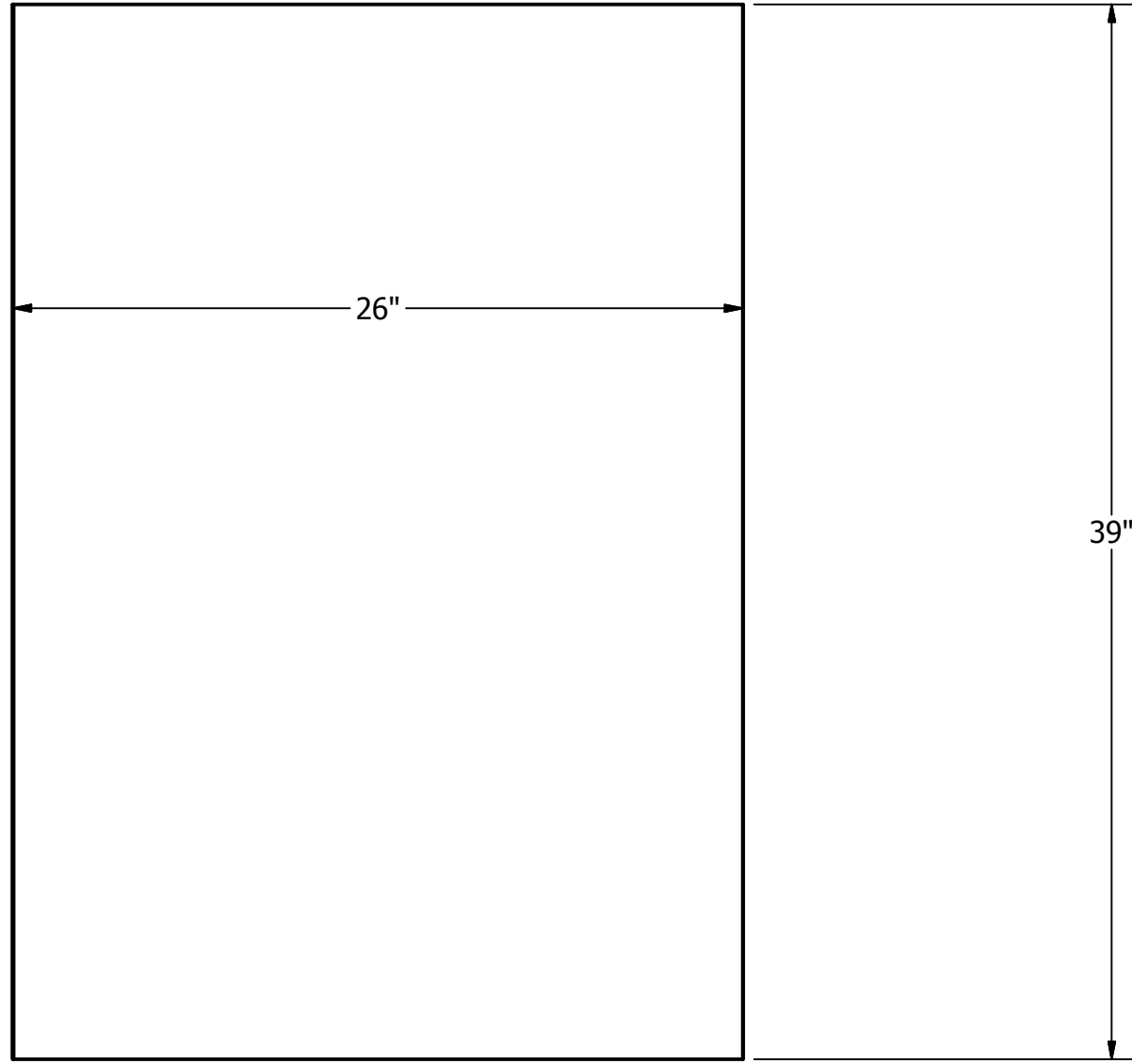
DRAWN Chris Logston	8/25/2011	University of California, Davis		
CHECKED		TITLE		
QA		ACAD Load Bearing Housing		
MFG		SIZE	DWG NO	REV
APPROVED		C	AQRG Pump Box 2	
		SCALE	SHEET 13 OF 17	

PRODUCED BY AN AUTODESK EDUCATIONAL PRODUCT

PRODUCED BY AN AUTODESK EDUCATIONAL PRODUCT

Step 13

Parts:
Sheet 26" x 39" x 0.5" x1



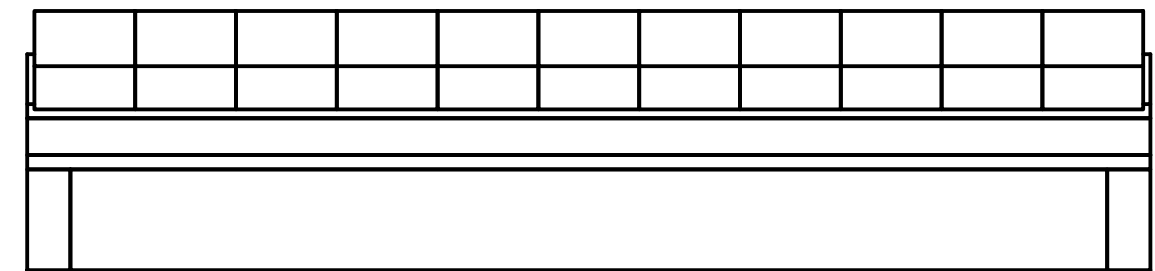
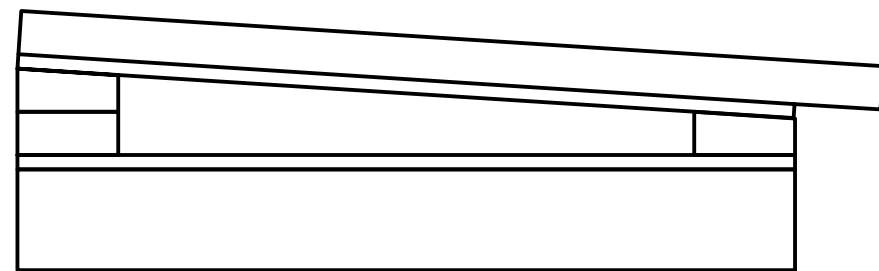
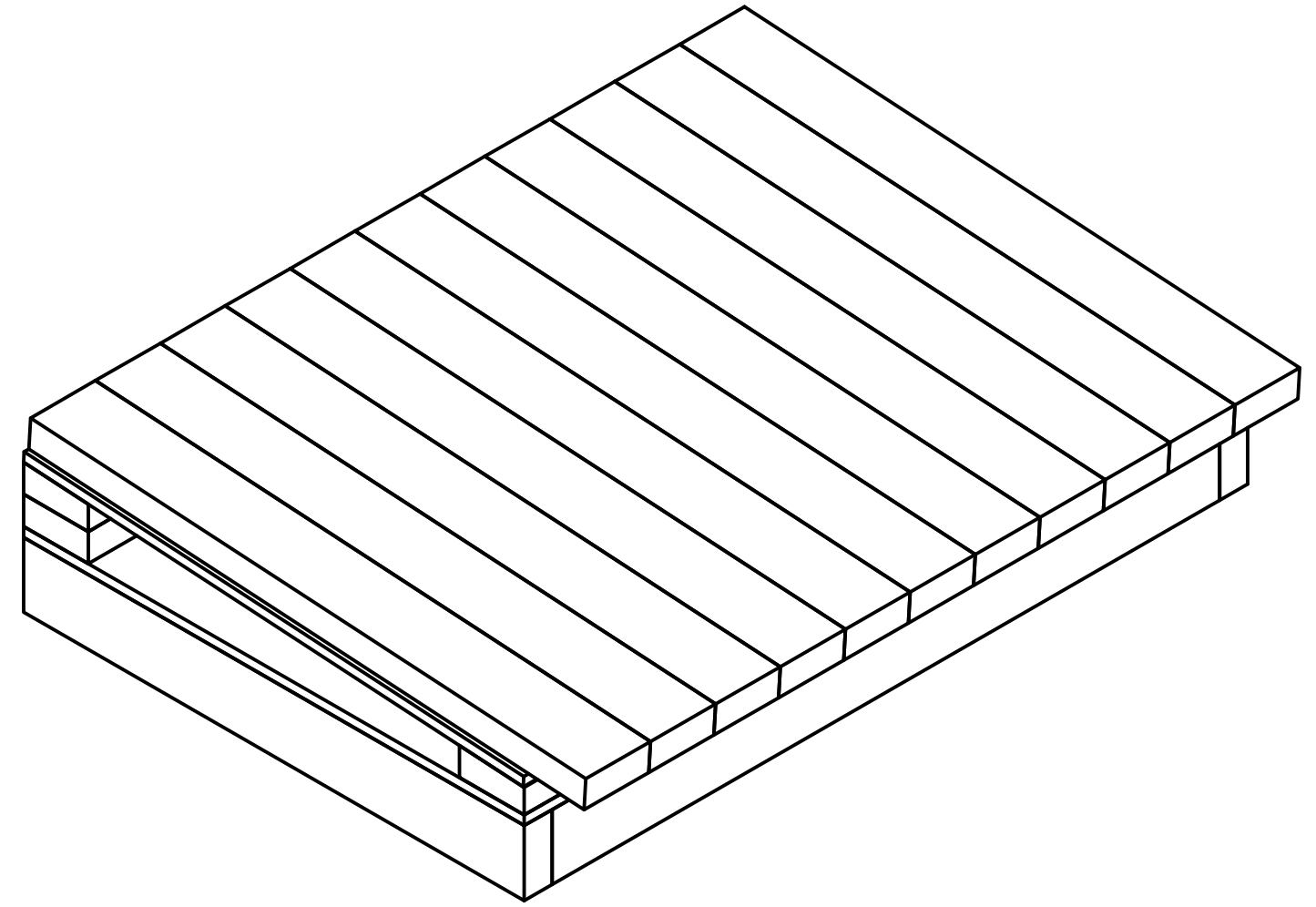
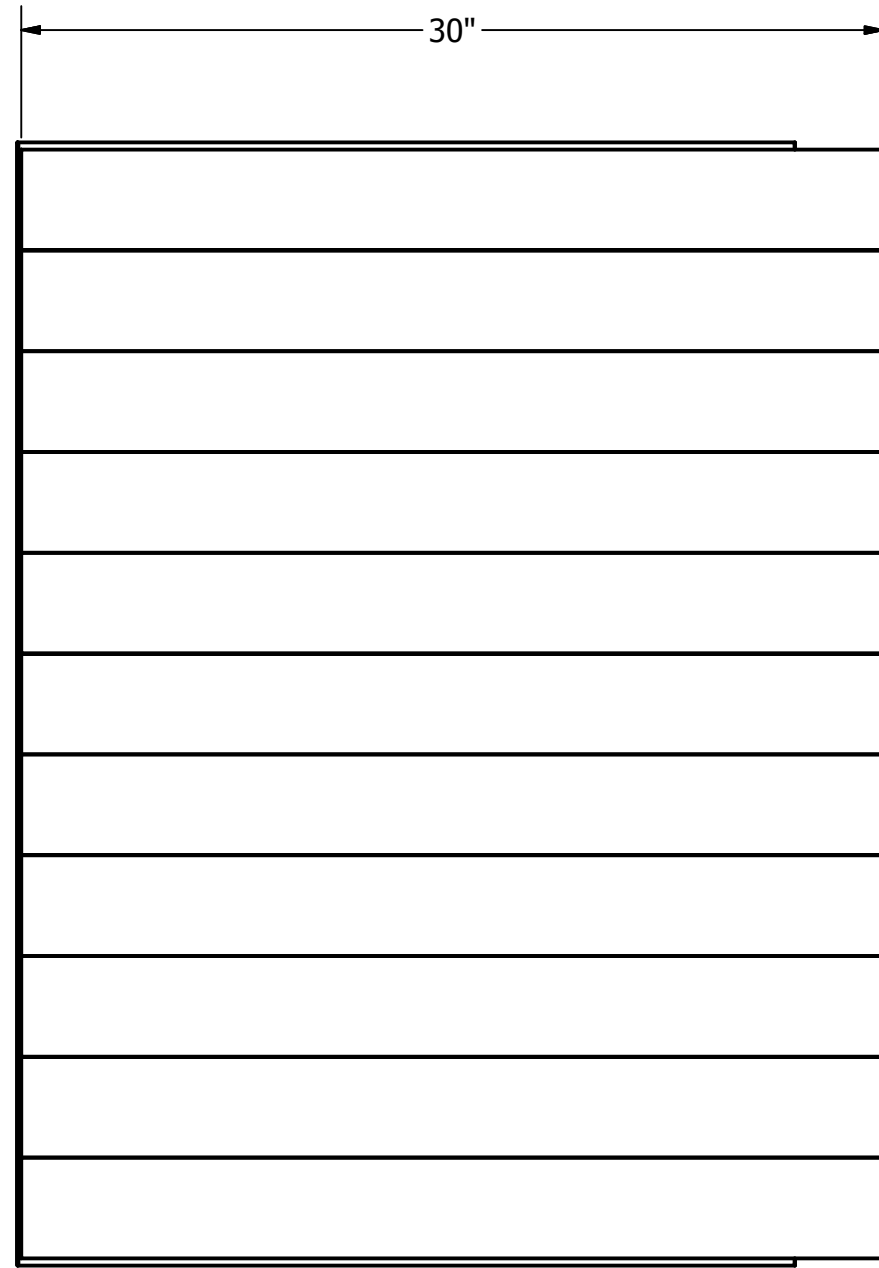
DRAWN Chris Logston	8/25/2011	University of California, Davis		
CHECKED		TITLE		
QA		ACAD Load Bearing Housing		
MFG		SIZE	DWG NO	REV
APPROVED		C	AQRG Pump Box 2	
		SCALE	SHEET 14 OF 17	

PRODUCED BY AN AUTODESK EDUCATIONAL PRODUCT

PRODUCED BY AN AUTODESK EDUCATIONAL PRODUCT

Step 14

Parts:
2" x 4" x 30" x11



DRAWN Chris Logston	8/25/2011	University of California, Davis		
CHECKED		TITLE		
QA		ACAD Load Bearing Housing		
MFG		SIZE	DWG NO	REV
APPROVED		C	AQRG Pump Box 2	
		SCALE	SHEET 15 OF 17	

PRODUCED BY AN AUTODESK EDUCATIONAL PRODUCT

PRODUCED BY AN AUTODESK EDUCATIONAL PRODUCT

4

3

2

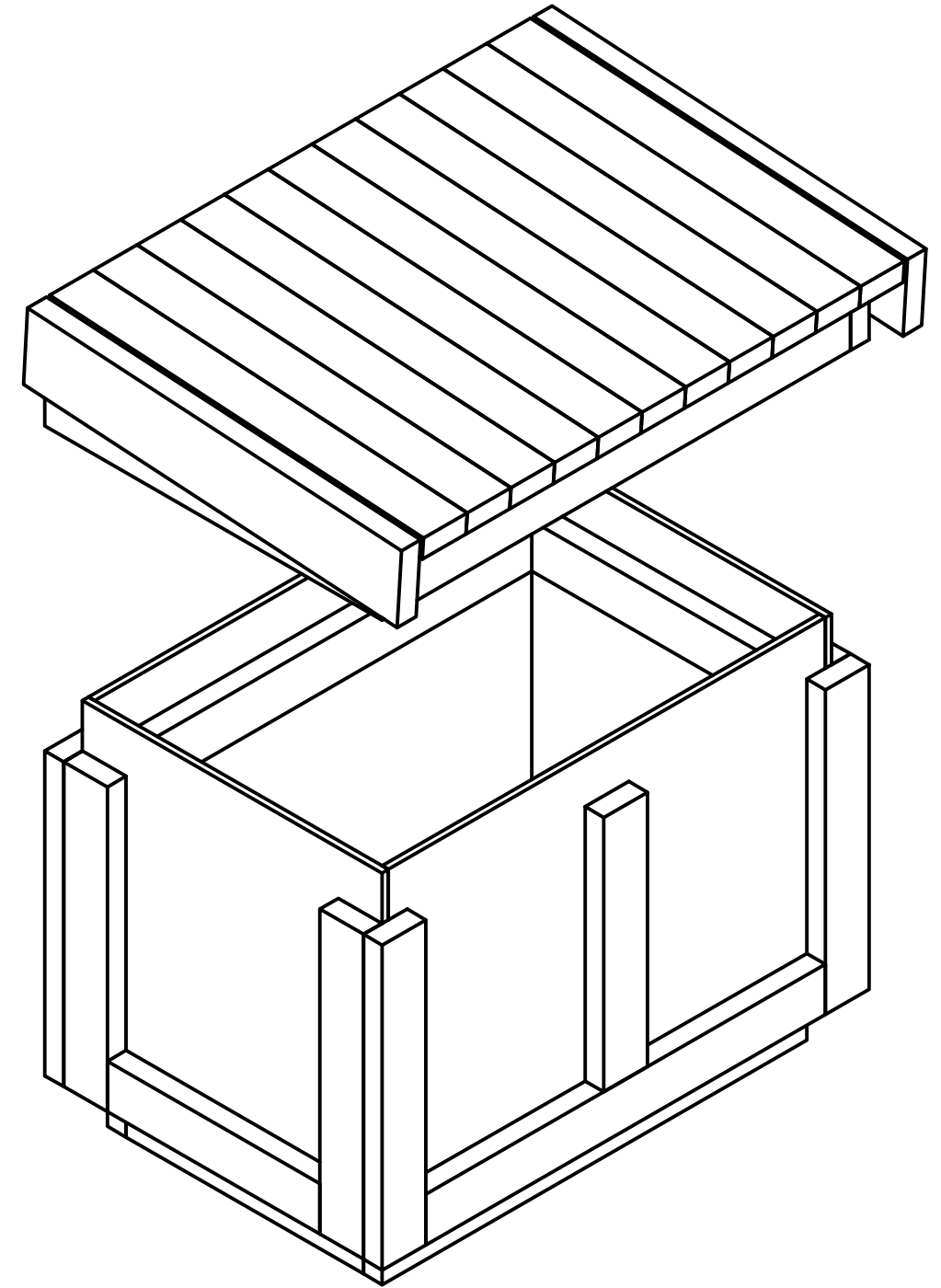
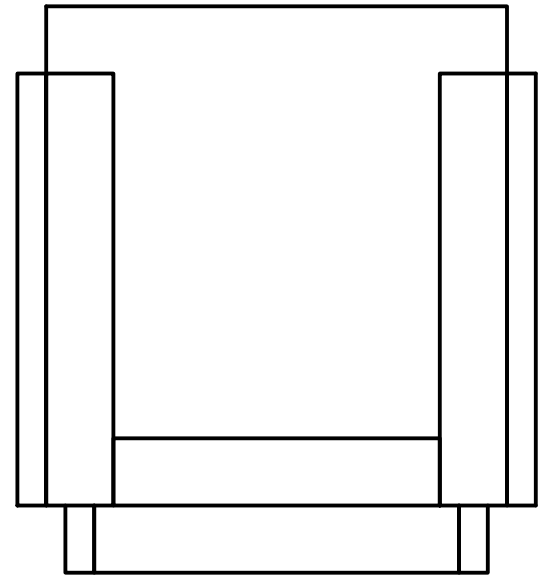
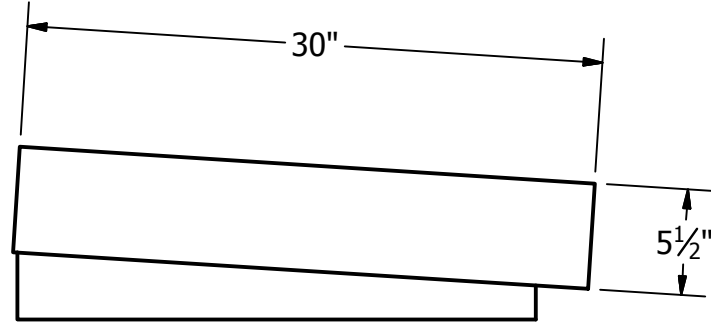
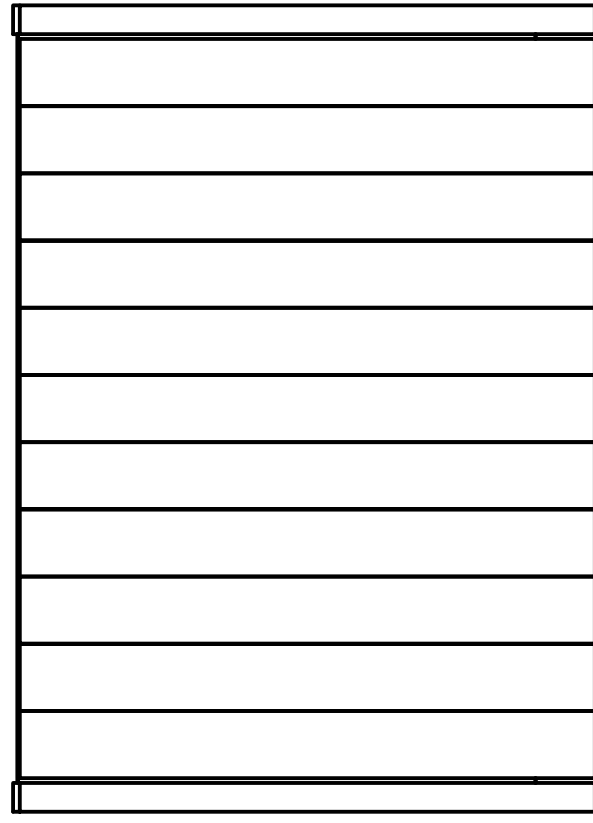
1

D

D

Step 15

Parts:
2" x 6" x 30" x2



C

C

B

B

B

B

A

A

PRODUCED BY AN AUTODESK EDUCATIONAL PRODUCT

PRODUCED BY AN AUTODESK EDUCATIONAL PRODUCT

DRAWN Chris Logston	8/25/2011	University of California, Davis		
CHECKED		TITLE		
QA		ACAD Load Bearing Housing		
MFG		SIZE	DWG NO	REV
APPROVED		C	AQRG Pump Box 2	
		SCALE	SHEET 16 OF 17	

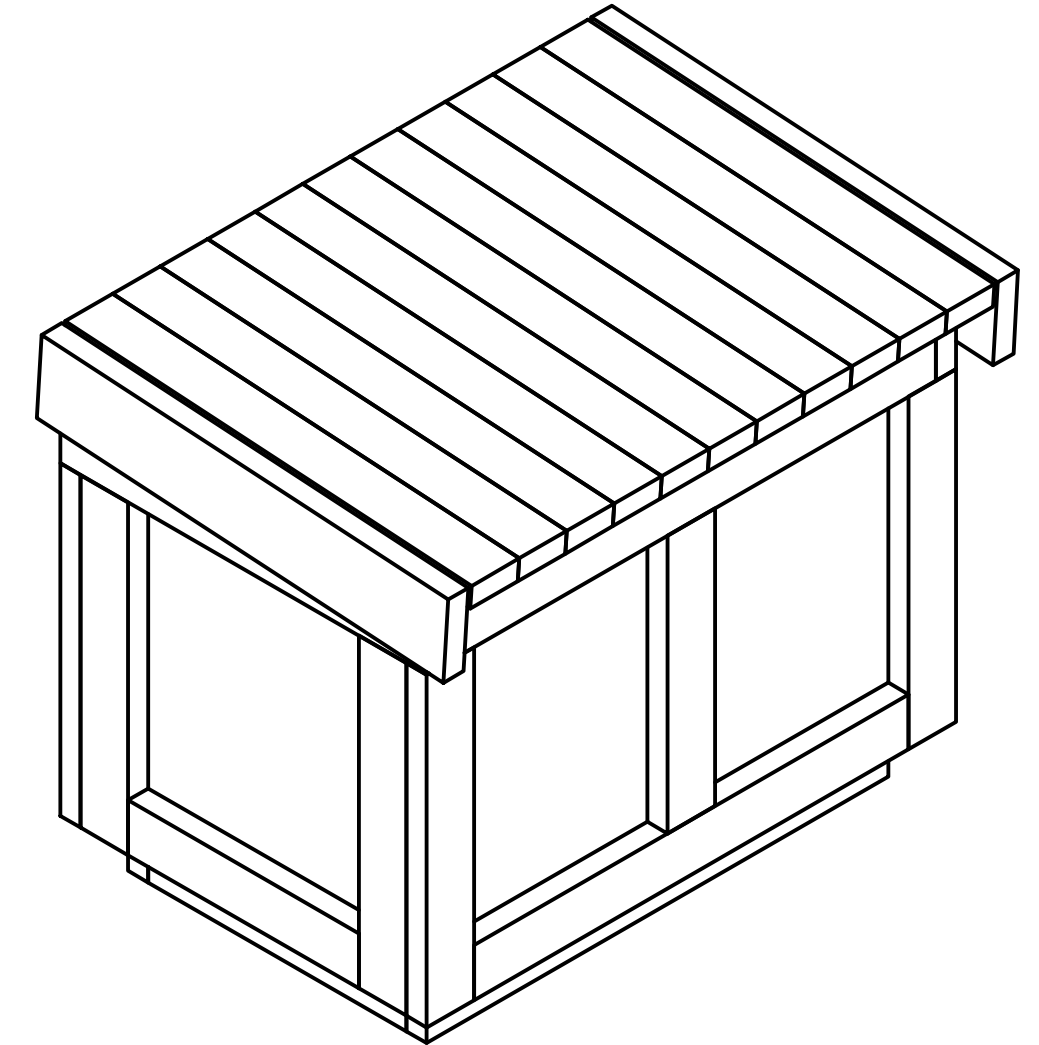
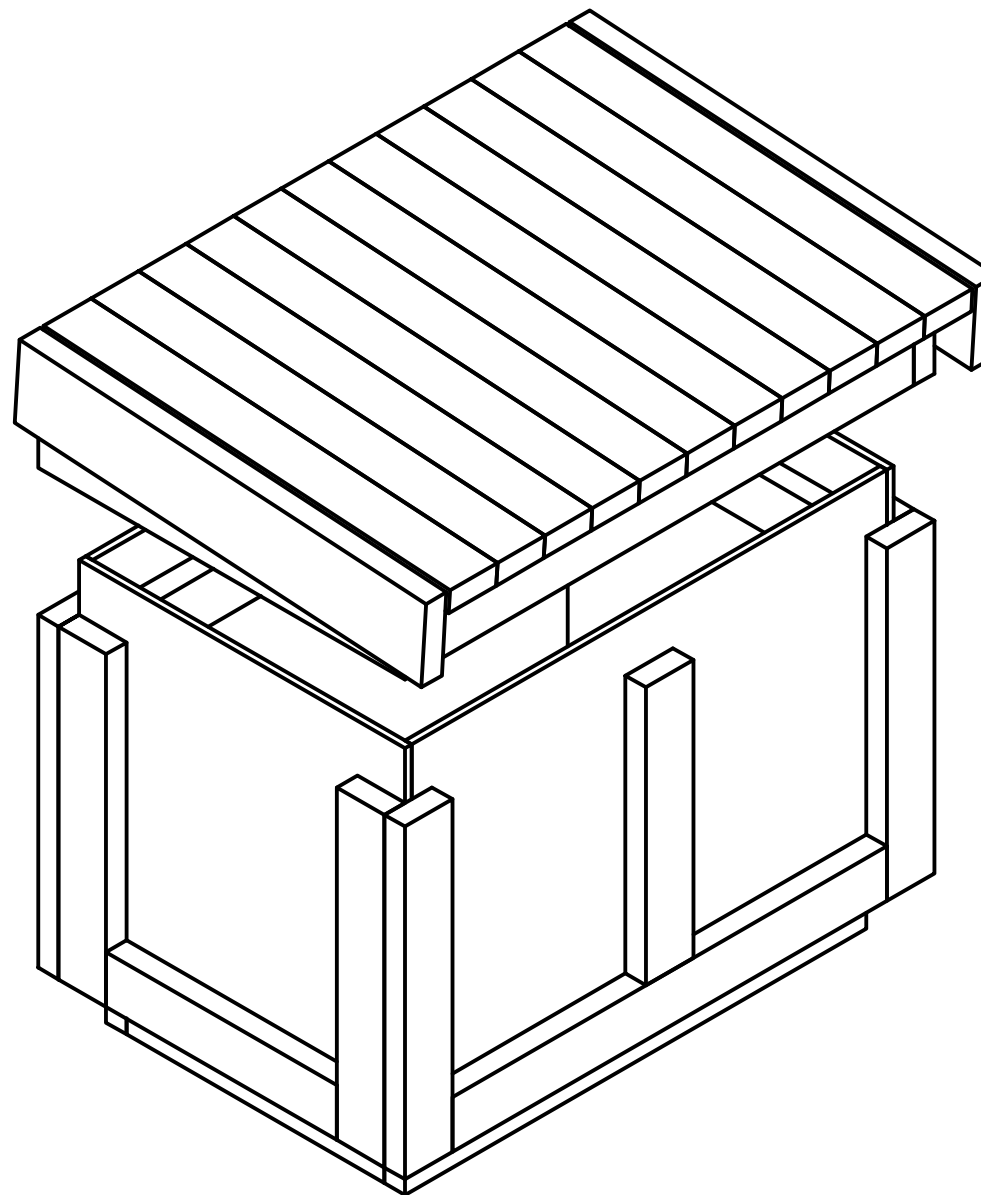
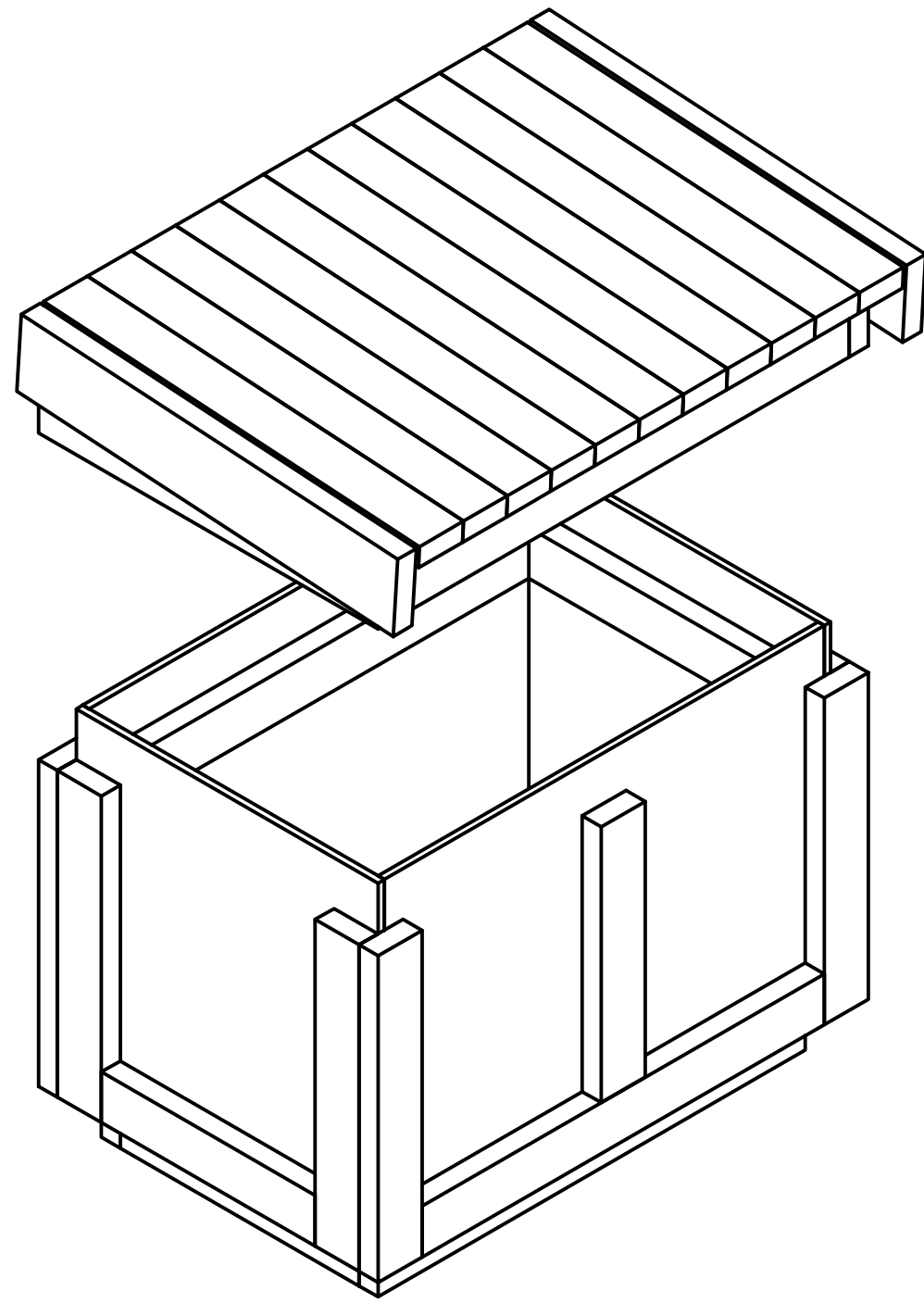
4

3

2

1

Step 16
Assembly



DRAWN Chris Logston	8/25/2011	University of California, Davis		
CHECKED		TITLE		
QA		ACAD Load Bearing Housing		
MFG		SIZE	DWG NO	REV
APPROVED		C	AQRG Pump Box 2	
		SCALE	SHEET 17 OF 17	