

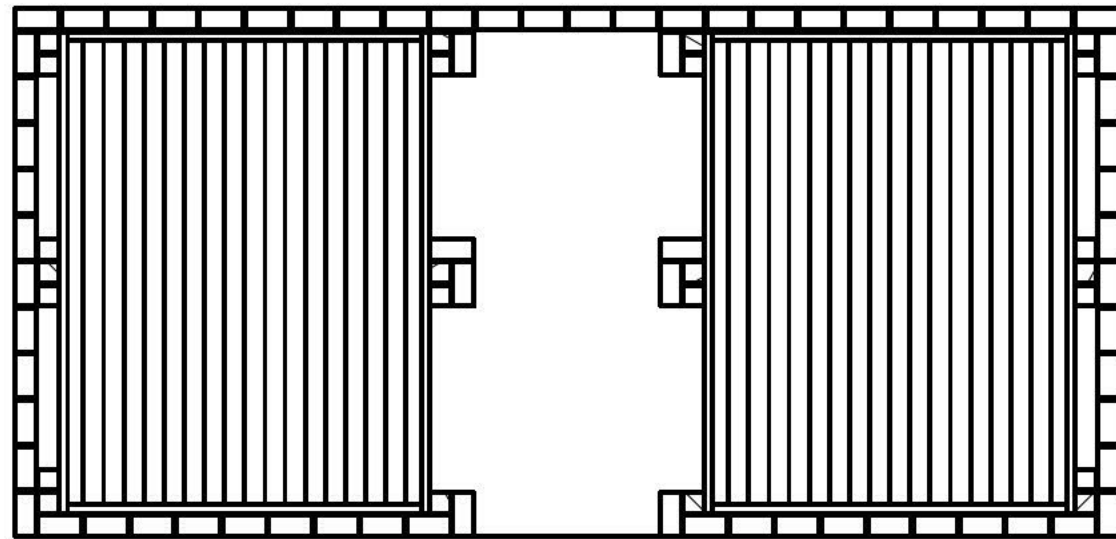
[Redacted] Shed
 Contact:
 Chris [Redacted] Logston
 [Redacted]

PRODUCED BY AN AUTODESK EDUCATIONAL PRODUCT

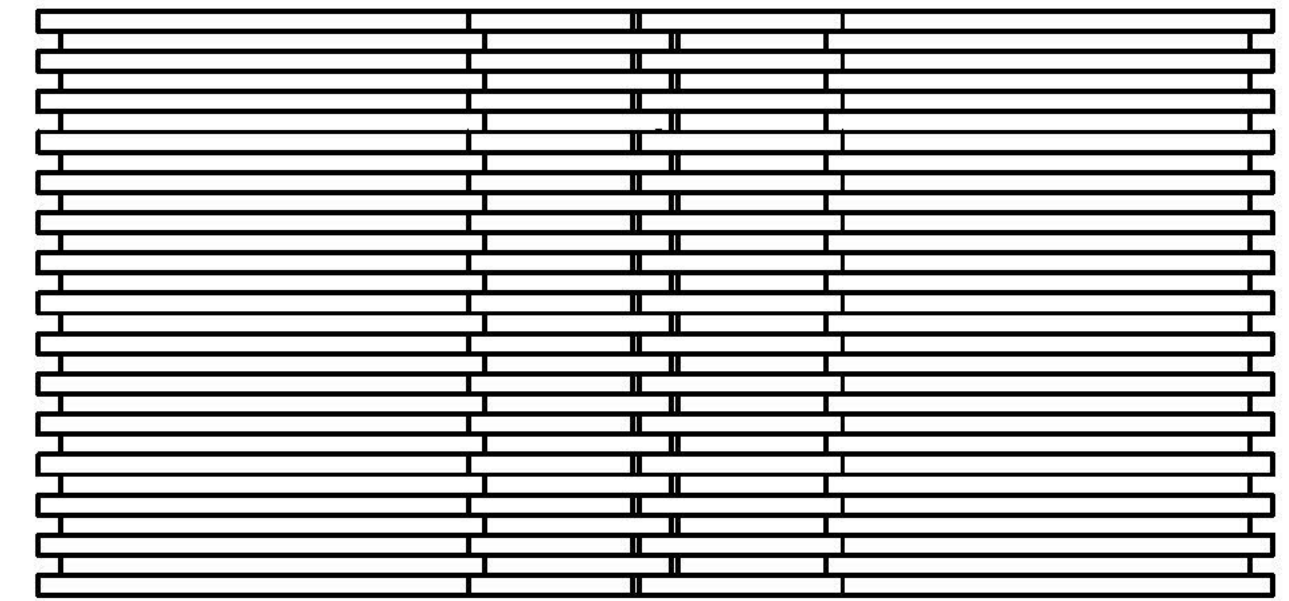
PRODUCED BY AN AUTODESK EDUCATIONAL PRODUCT

DRAWN Chris Logston	7/10/2011			
CHECKED		TITLE		
QA		[Redacted] Shed		
MFG		SIZE	DWG NO	REV
APPROVED		C	Construction Plans	
		SCALE	SHEET 1 OF 38	

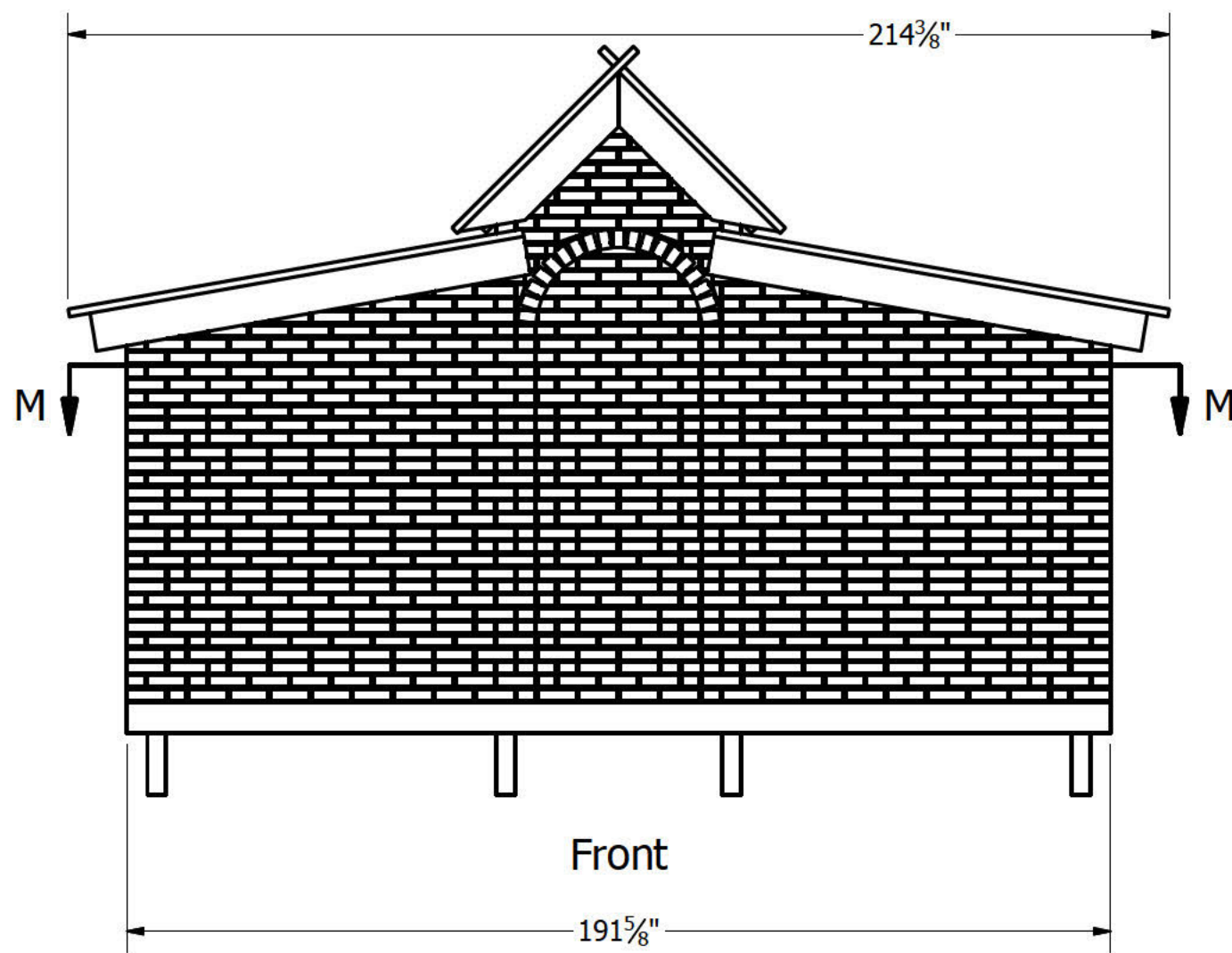
Views



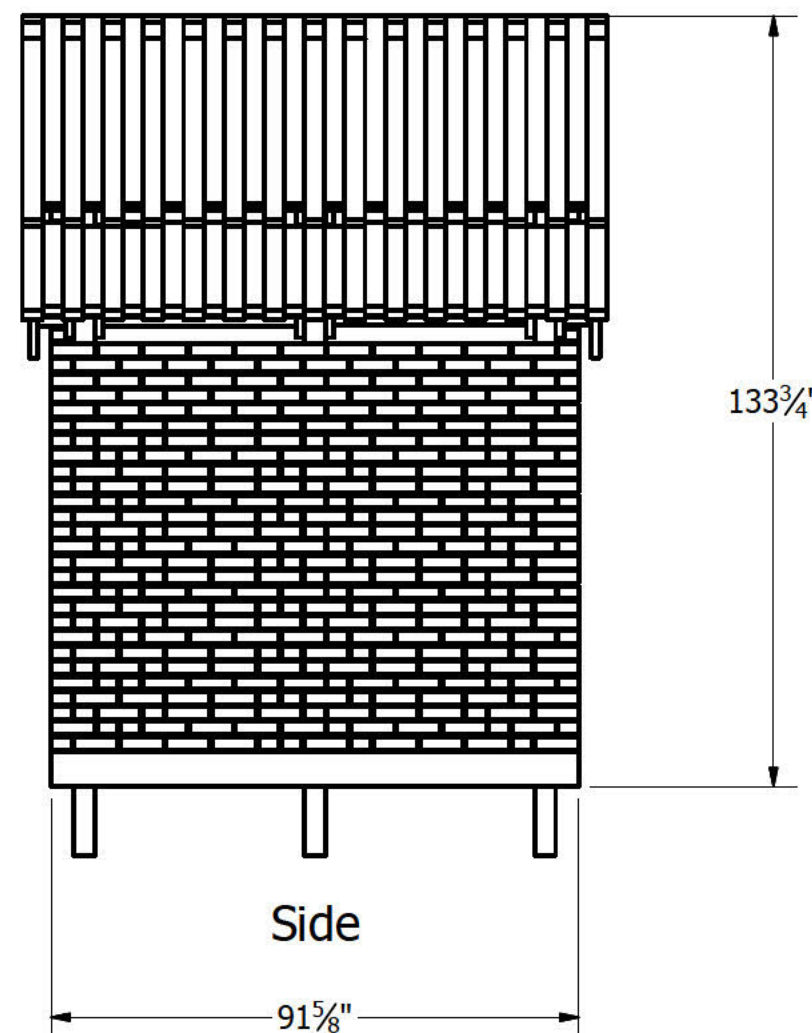
SECTION M-M
Platforms



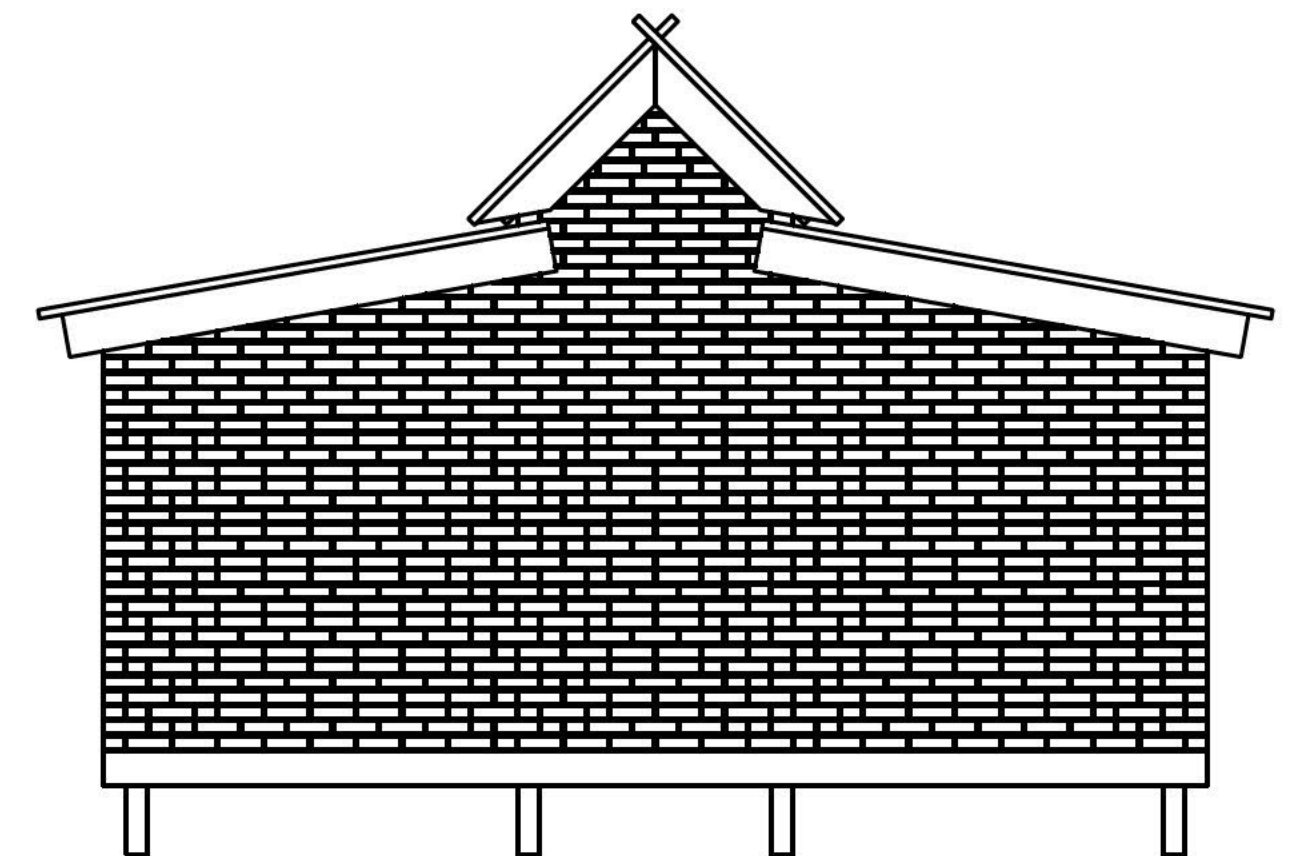
Top



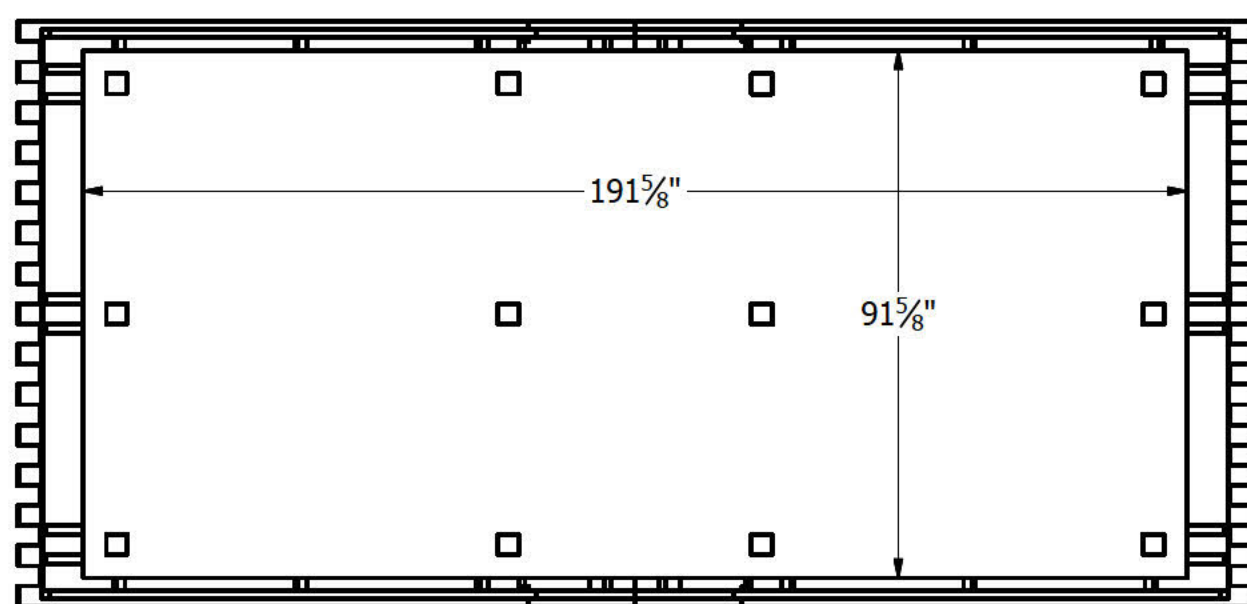
Front



Side



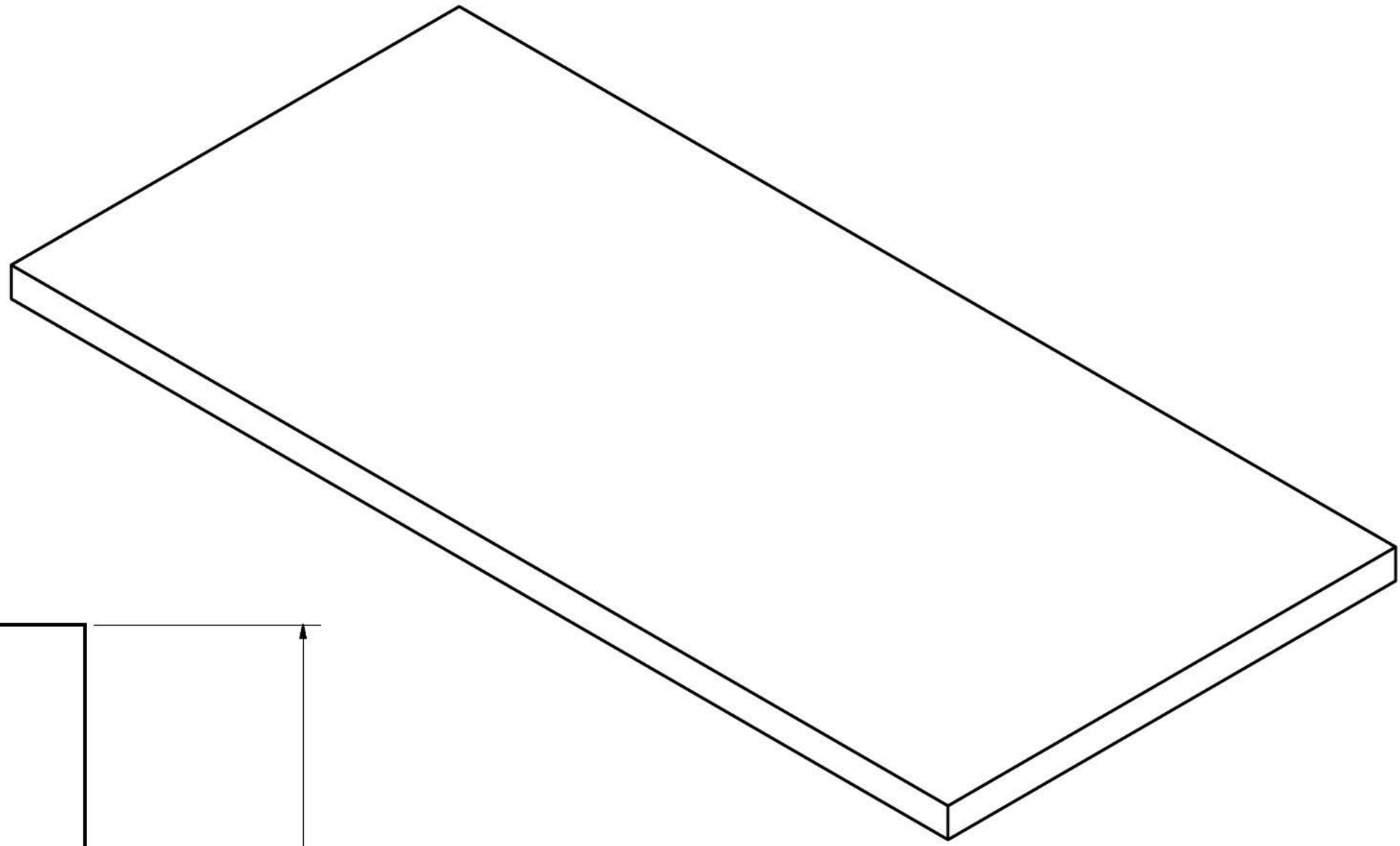
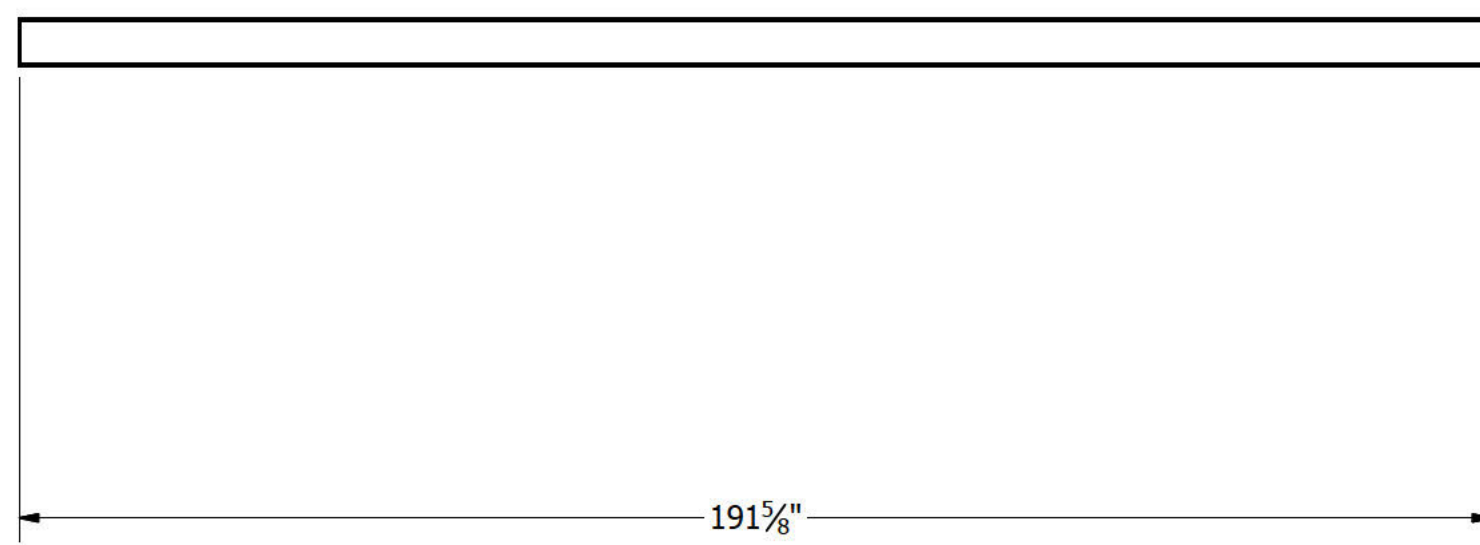
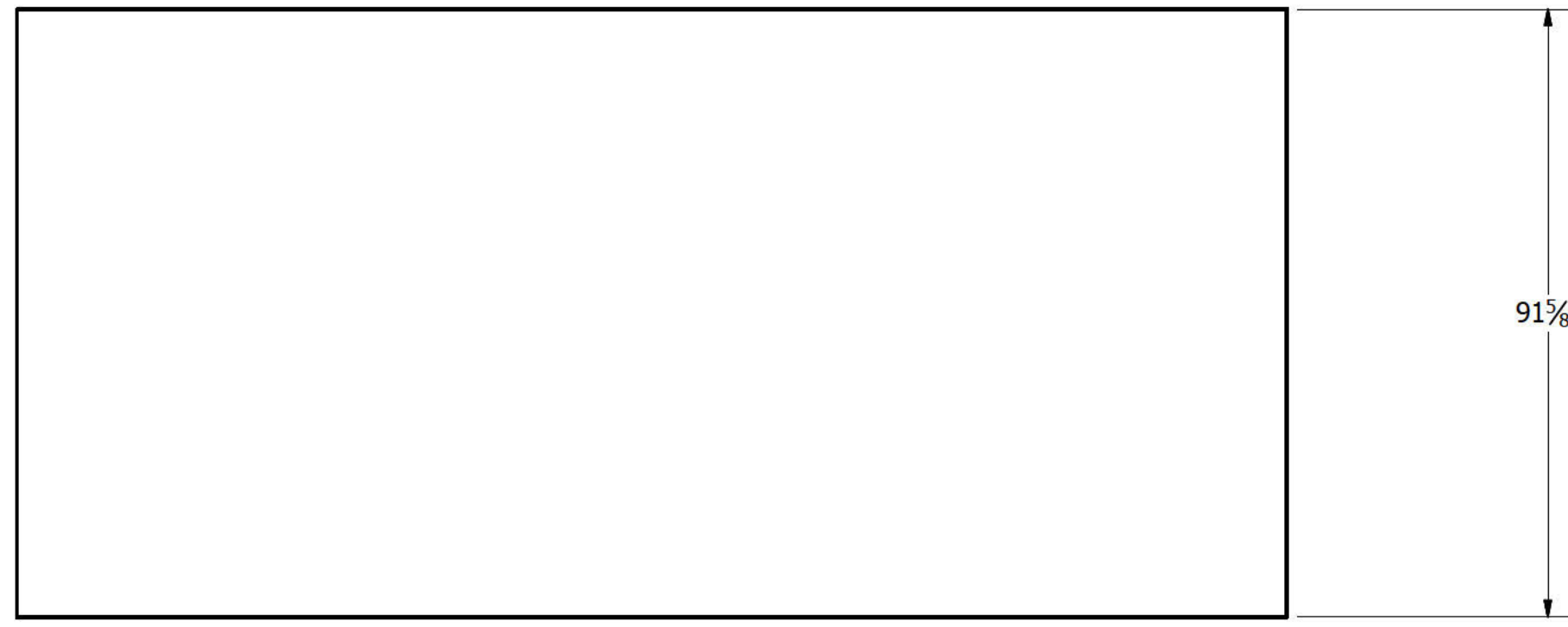
Back



Bottom

DRAWN Chris Logston	7/10/2011	TITLE		
CHECKED		Shed		
QA		SIZE	DWG NO	REV
MFG		C	Construction Plans	
APPROVED		SCALE	SHEET 2 OF 38	

Foundation



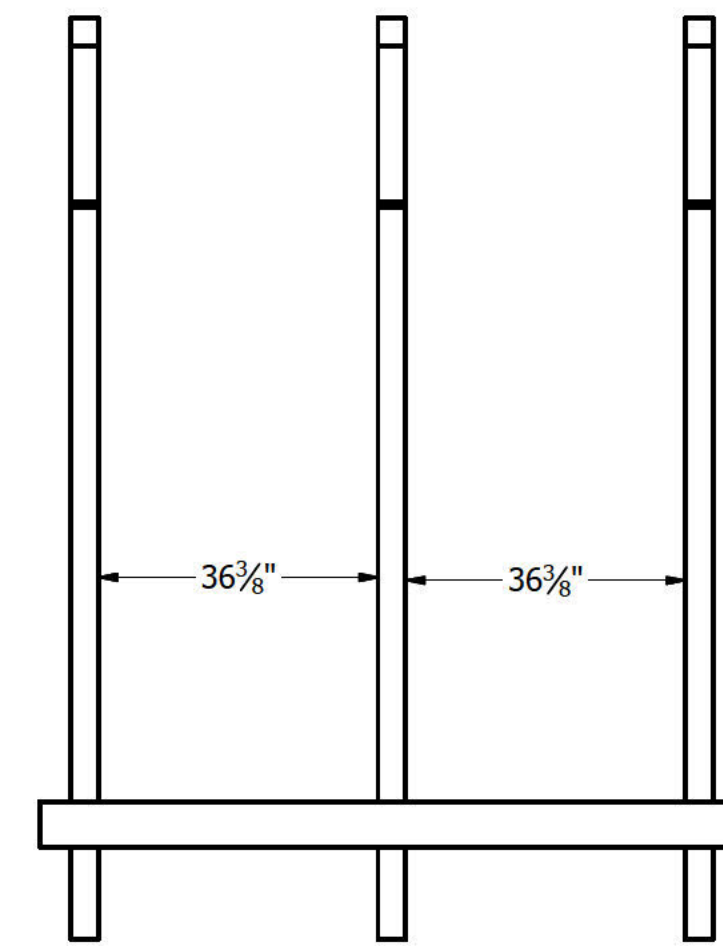
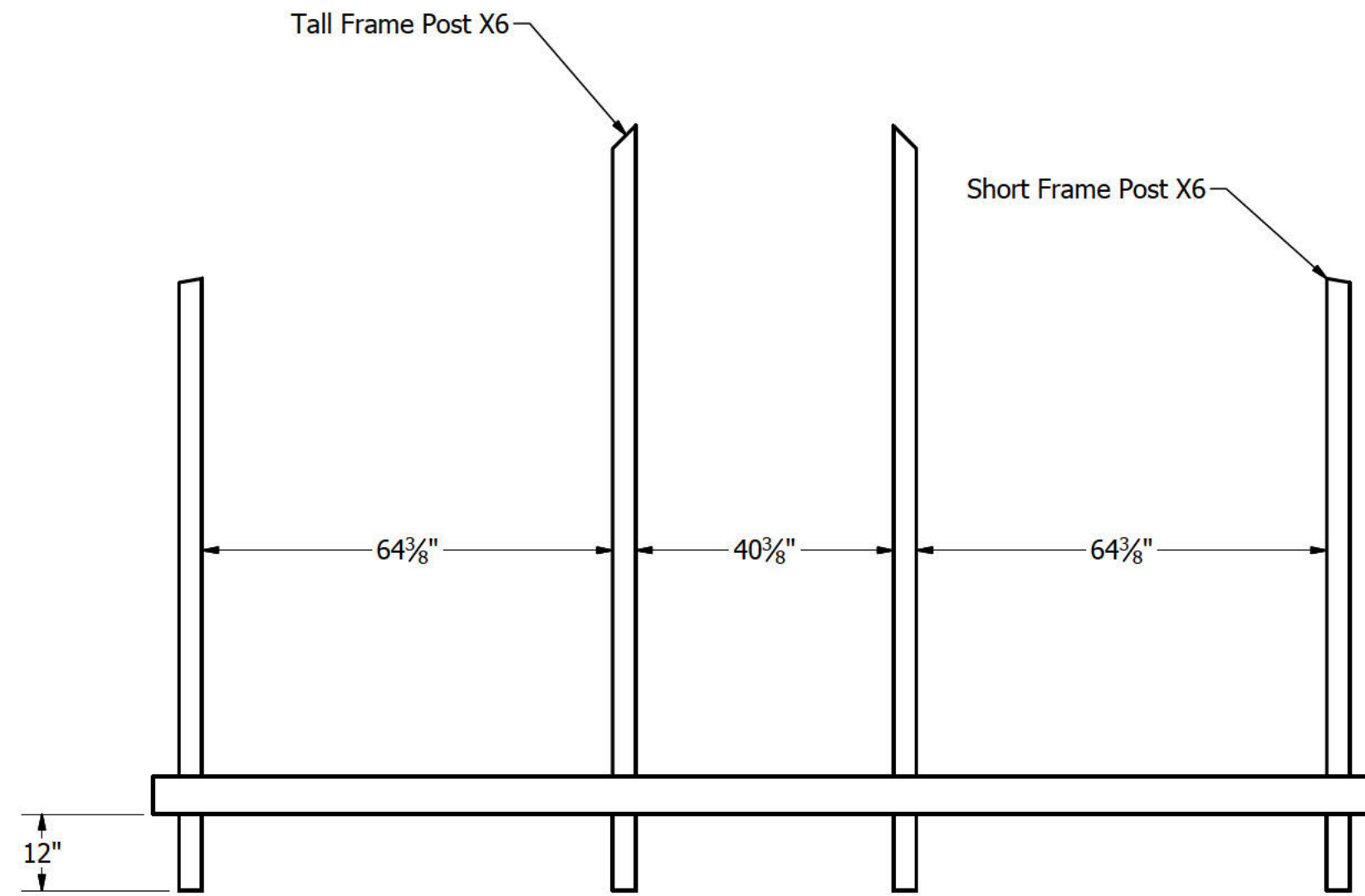
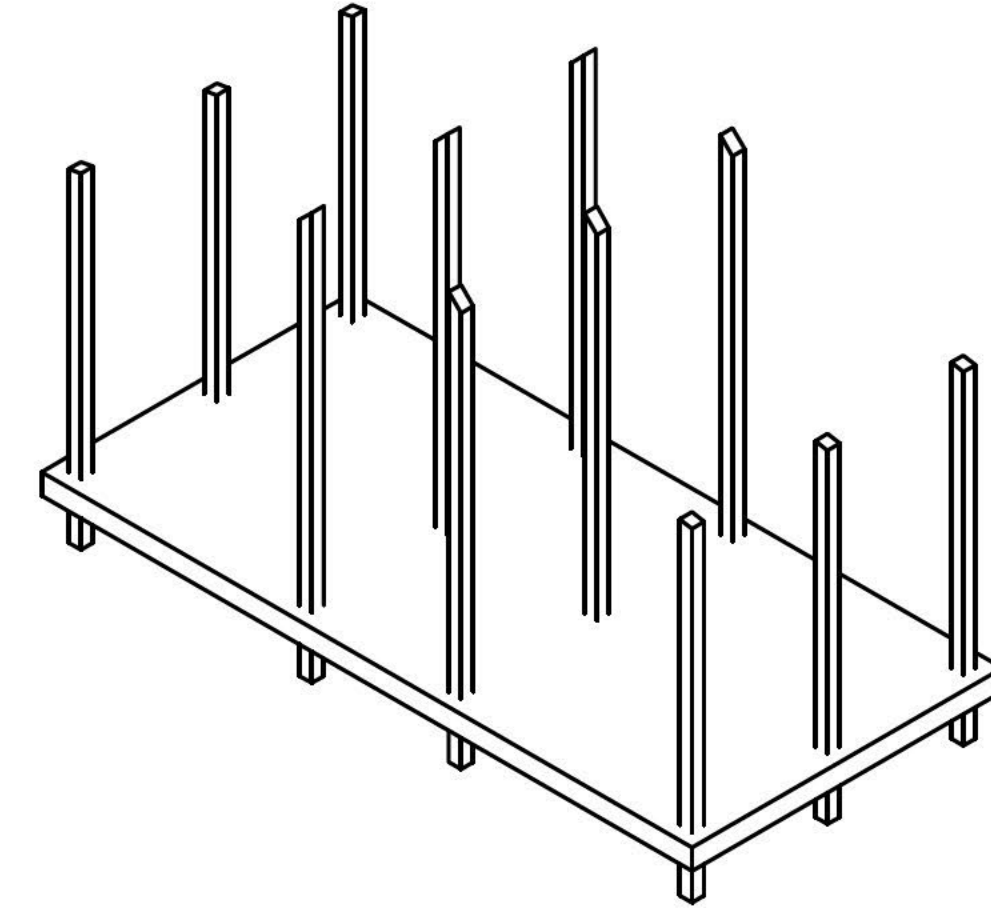
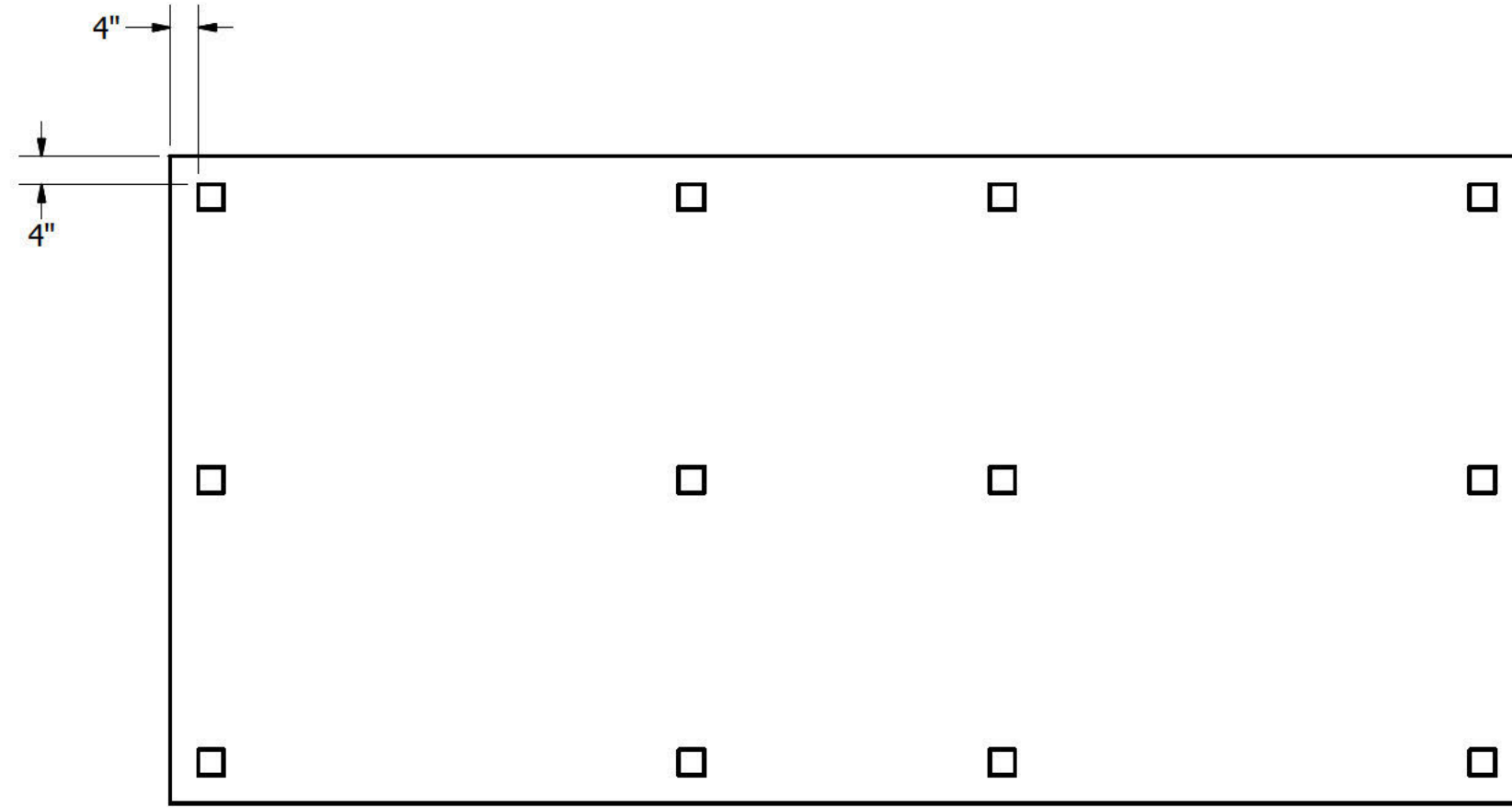
Parts List:
Concrete Foundation

DRAWN Chris Logston	7/10/2011	TITLE		
CHECKED		Shed		
QA		SIZE	DWG NO	REV
MFG		C	Construction Plans	
APPROVED		SCALE	SHEET 3 OF 38	

PRODUCED BY AN AUTODESK EDUCATIONAL PRODUCT

PRODUCED BY AN AUTODESK EDUCATIONAL PRODUCT

Foundation with Posts



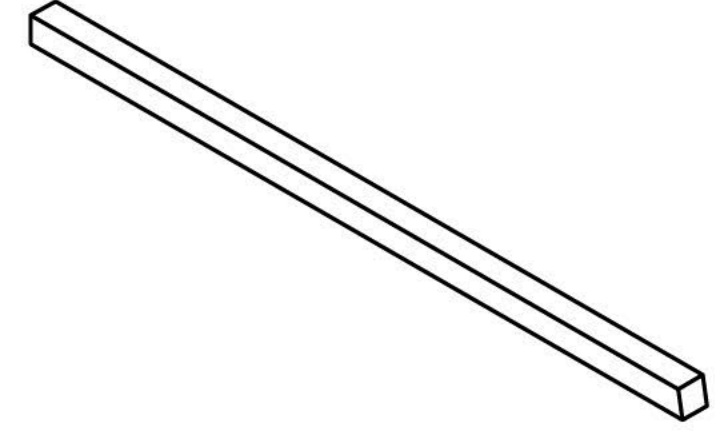
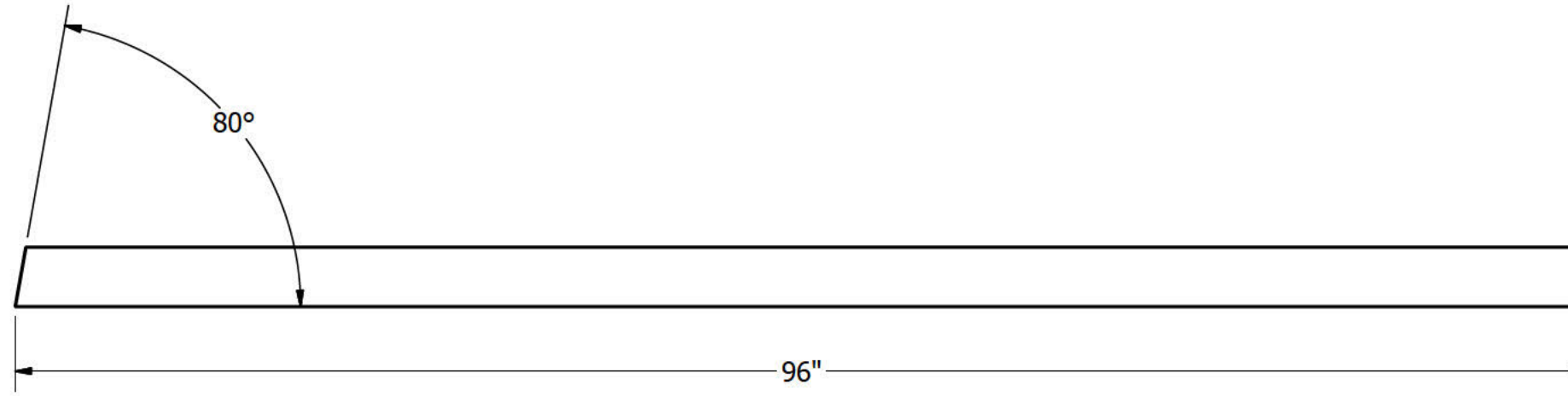
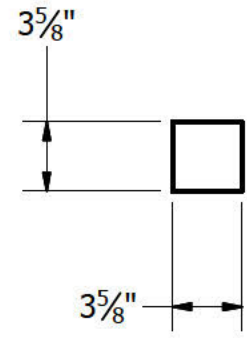
Parts List:
Tall Frame Posts X6
Short Frame Posts X6

DRAWN Chris Logston	7/10/2011	TITLE		
CHECKED		Shed		
QA		SIZE C	DWG NO	REV
MFG		Construction Plans		
APPROVED		SCALE	SHEET 4 OF 38	

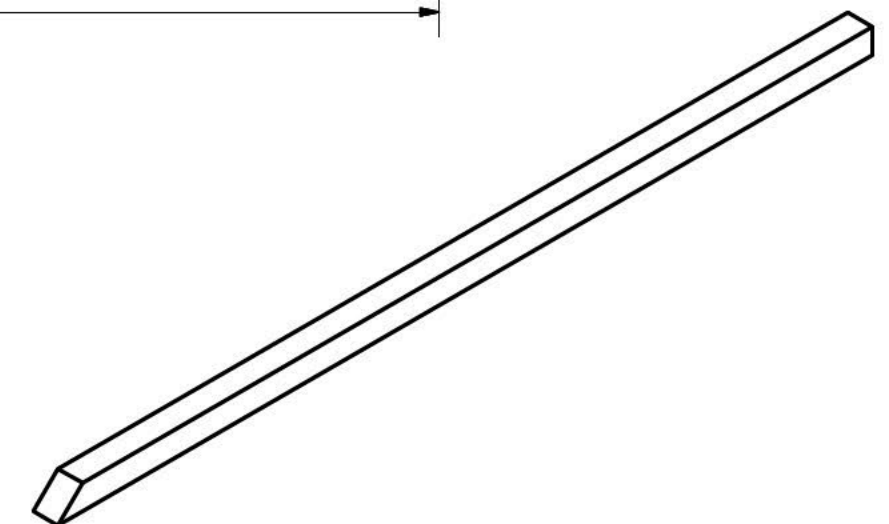
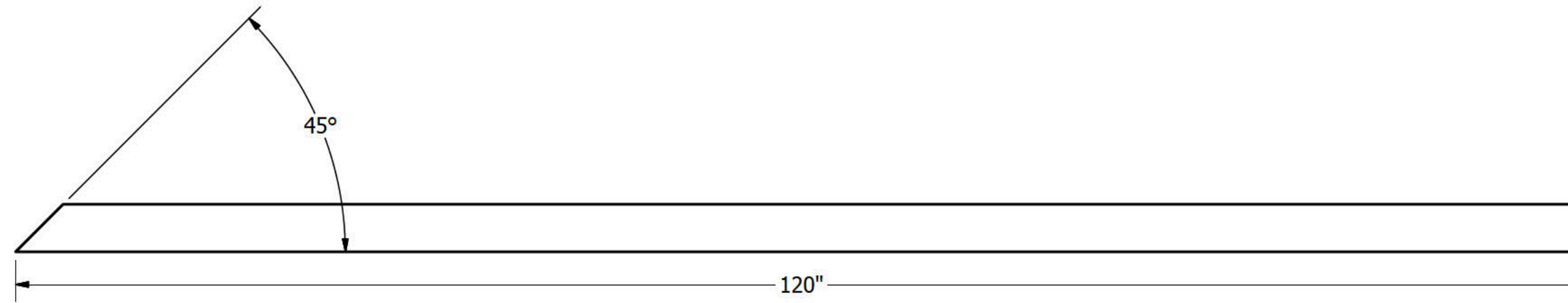
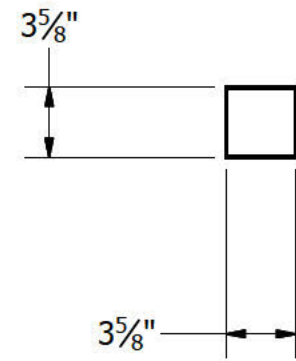
PRODUCED BY AN AUTODESK EDUCATIONAL PRODUCT

PRODUCED BY AN AUTODESK EDUCATIONAL PRODUCT

Short Frame Posts



Tall Frame Posts

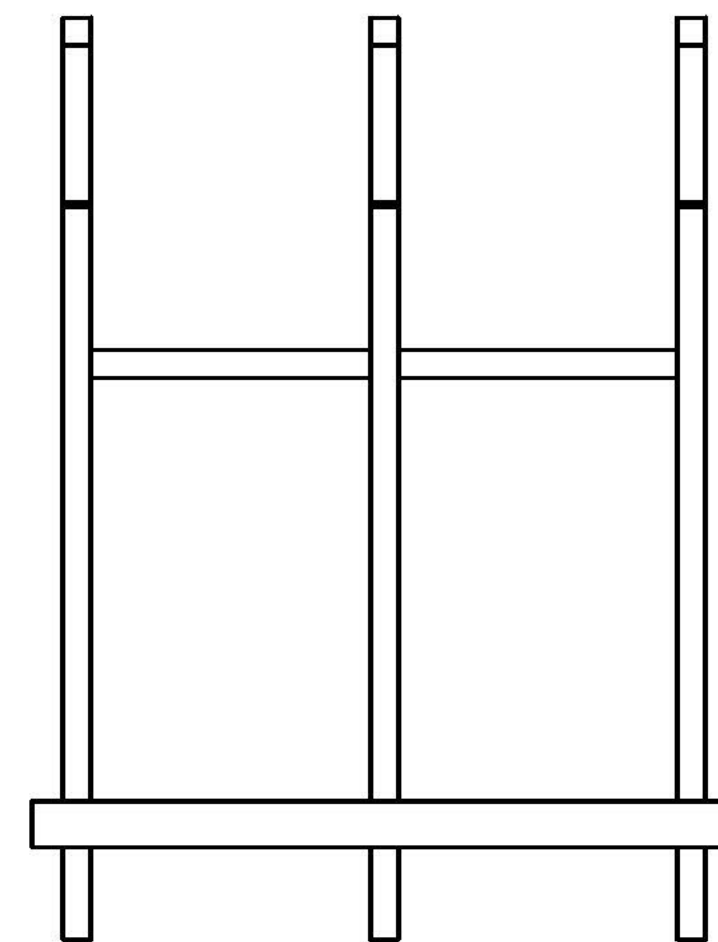
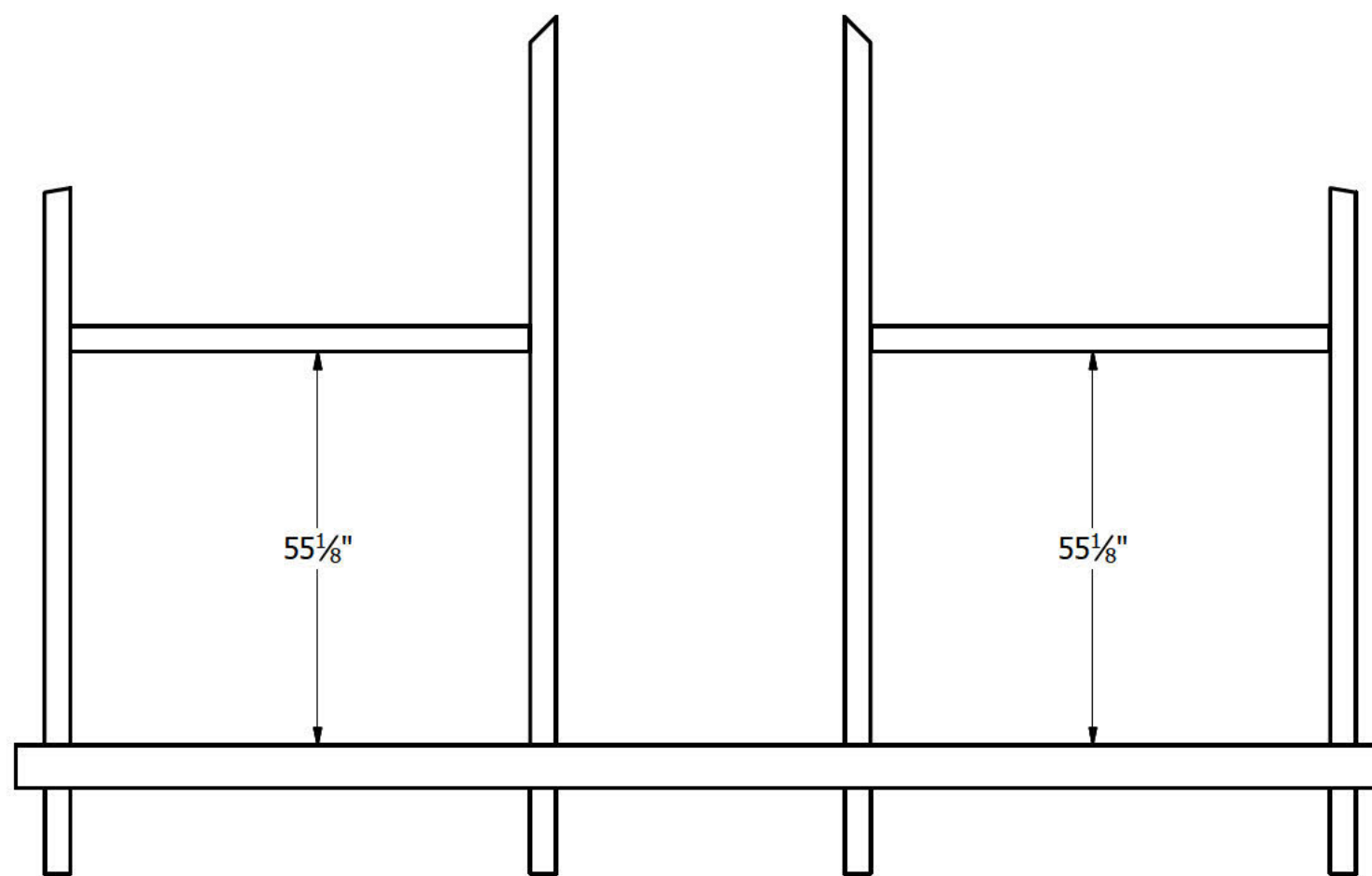
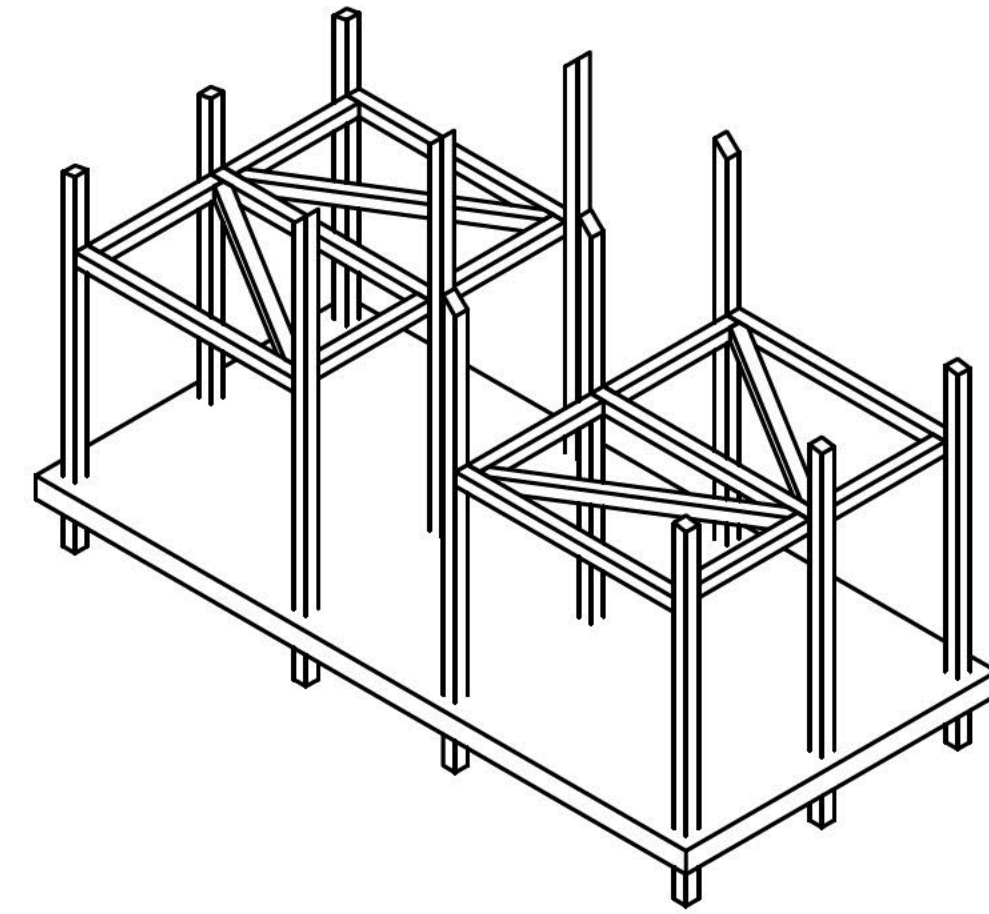
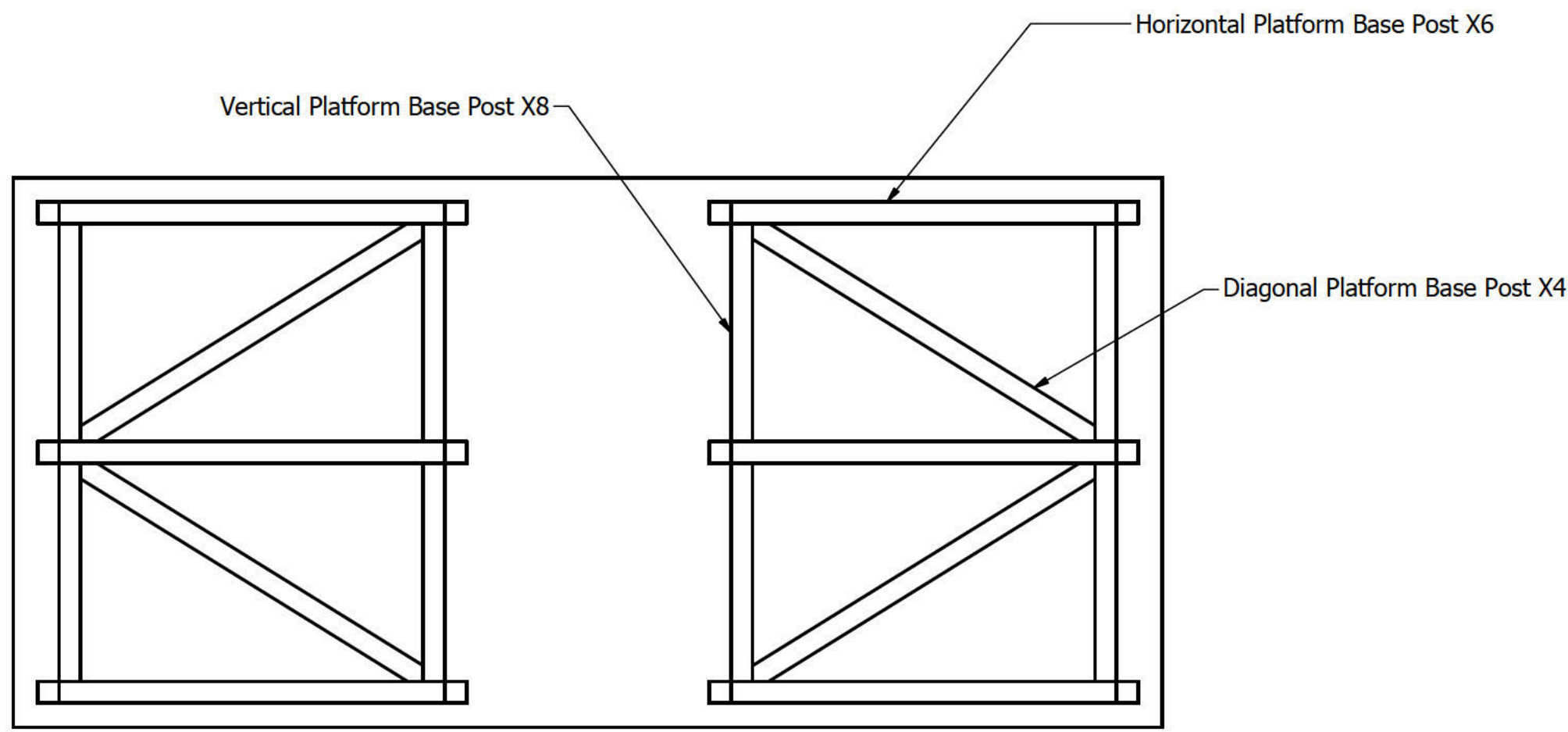


DRAWN Chris Logston	7/10/2011			
CHECKED		TITLE		
QA		Shed		
MFG				
APPROVED		SIZE	DWG NO	REV
		C	Construction Plans	
		SCALE	SHEET 5 OF 38	

PRODUCED BY AN AUTODESK EDUCATIONAL PRODUCT

PRODUCED BY AN AUTODESK EDUCATIONAL PRODUCT

Frame with Platform Base



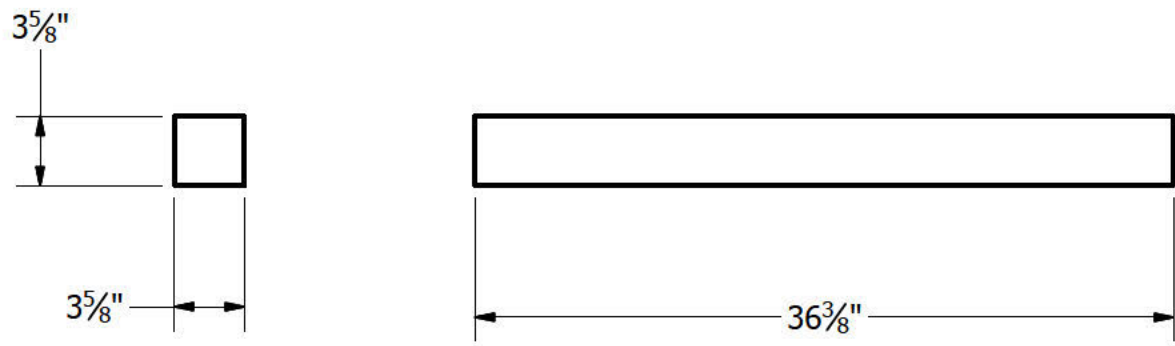
- Parts List:
 Horizontal Platform Base Post X6
 Vertical Platform Base Post X8
 Diagonal Platform Base Post X4

DRAWN Chris Logston	7/10/2011	TITLE		
CHECKED		[REDACTED] Shed		
QA		SIZE C	DWG NO	REV
MFG		Construction Plans		
APPROVED		SCALE	SHEET 6 OF 38	

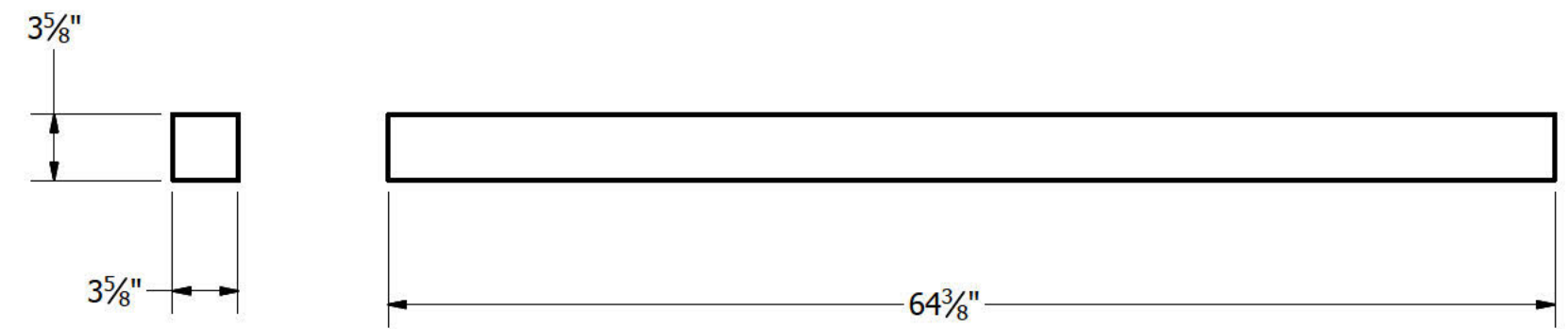
PRODUCED BY AN AUTODESK EDUCATIONAL PRODUCT

PRODUCED BY AN AUTODESK EDUCATIONAL PRODUCT

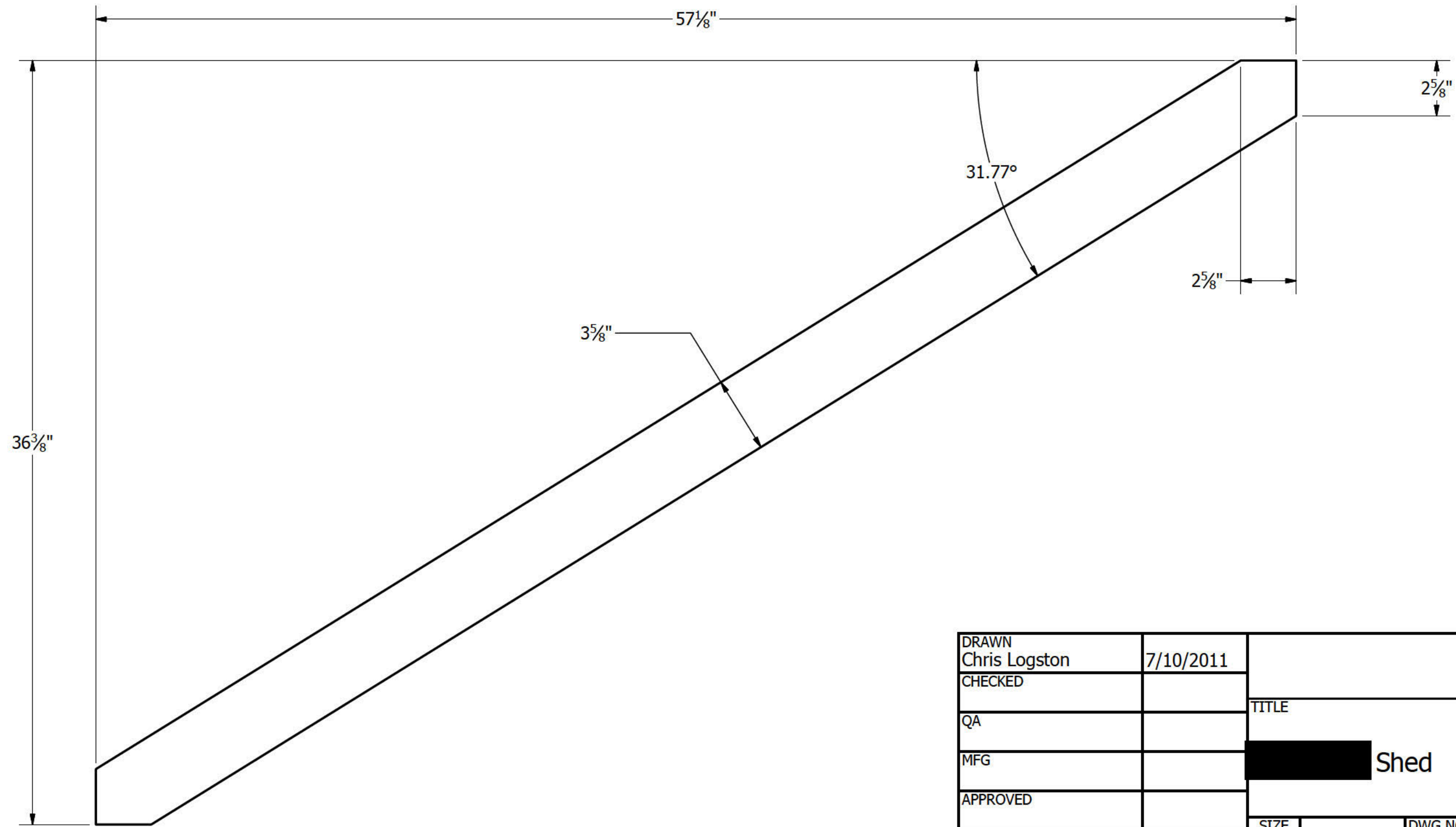
Vertical Platform Base Post



Horizontal Platform Base Post



Diagonal Platform Base Post

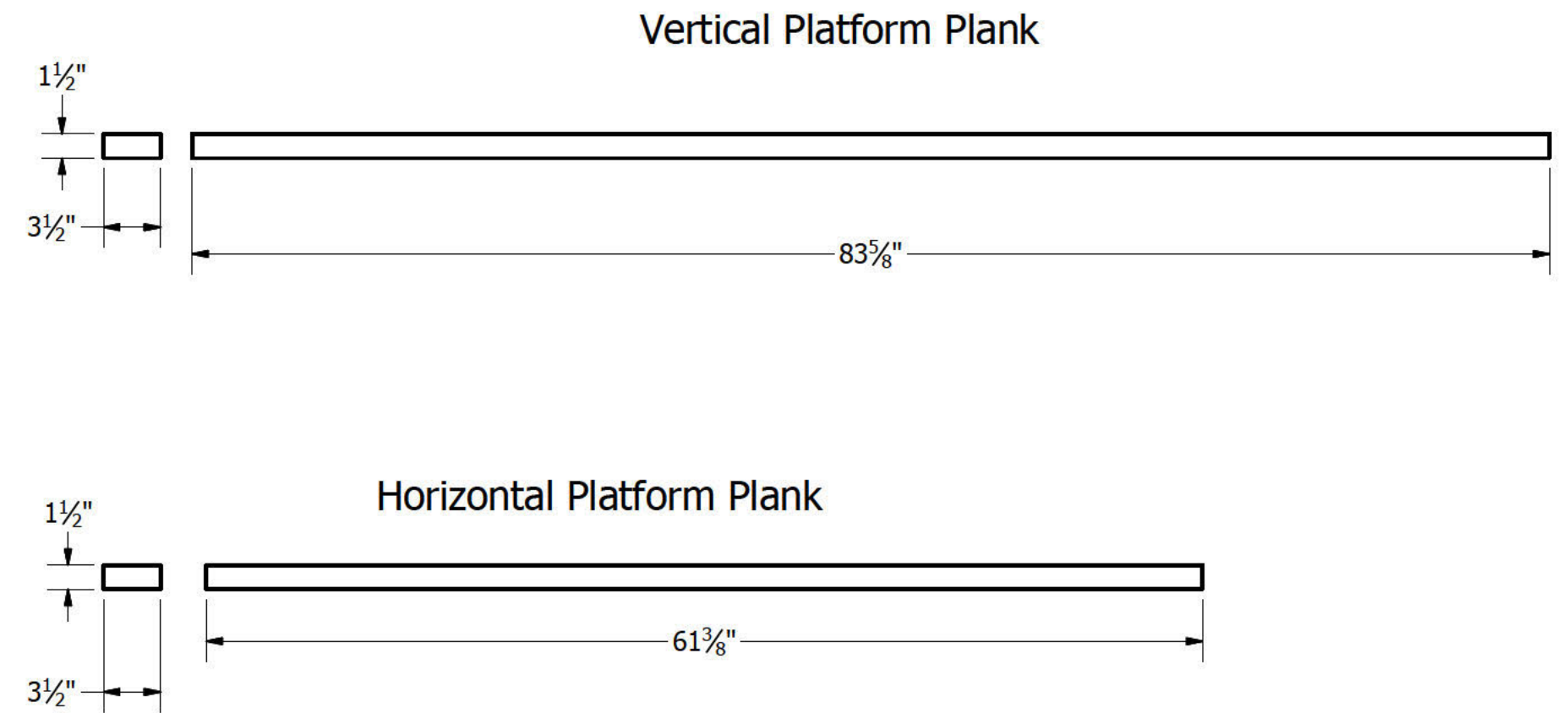
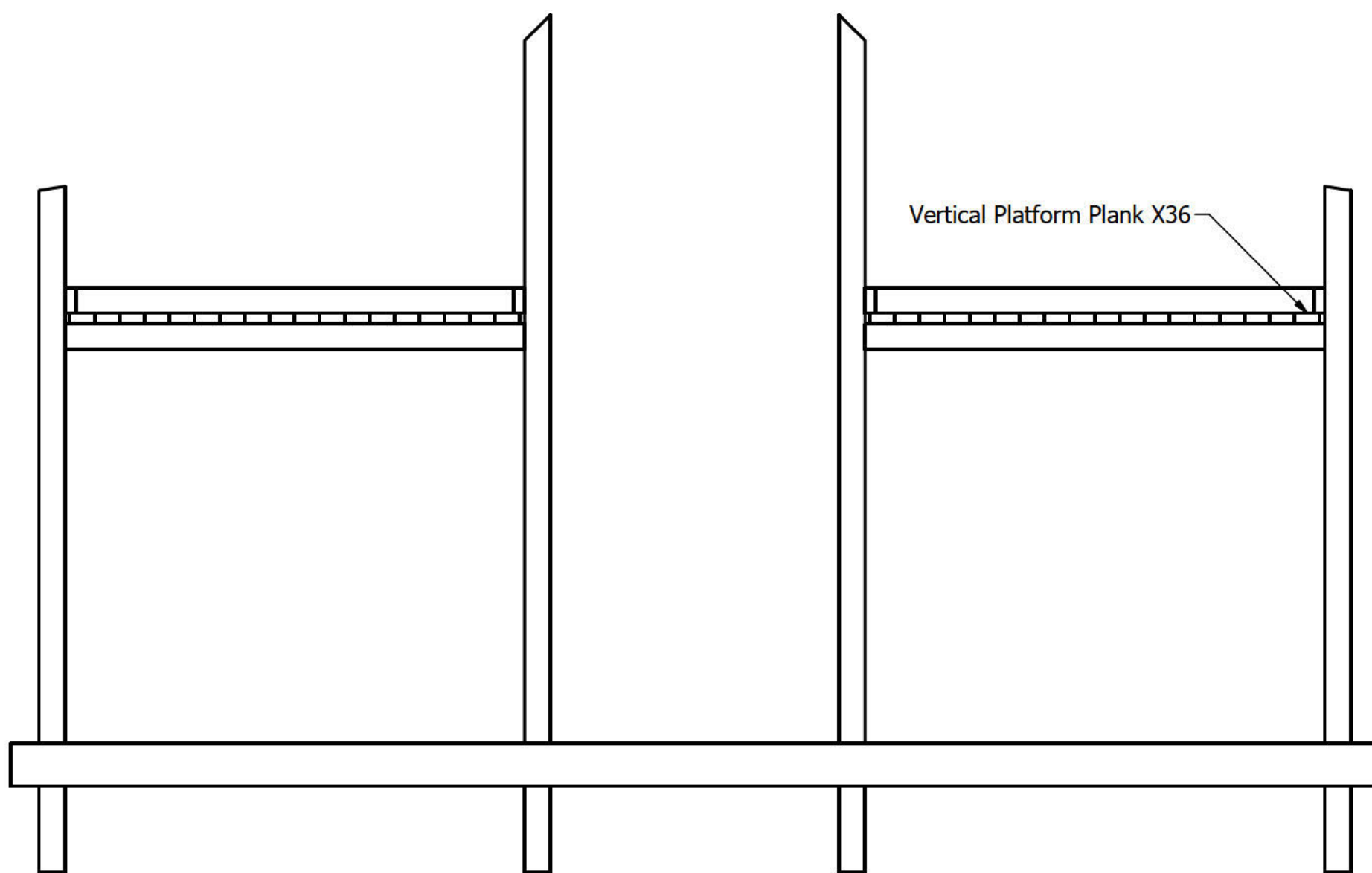
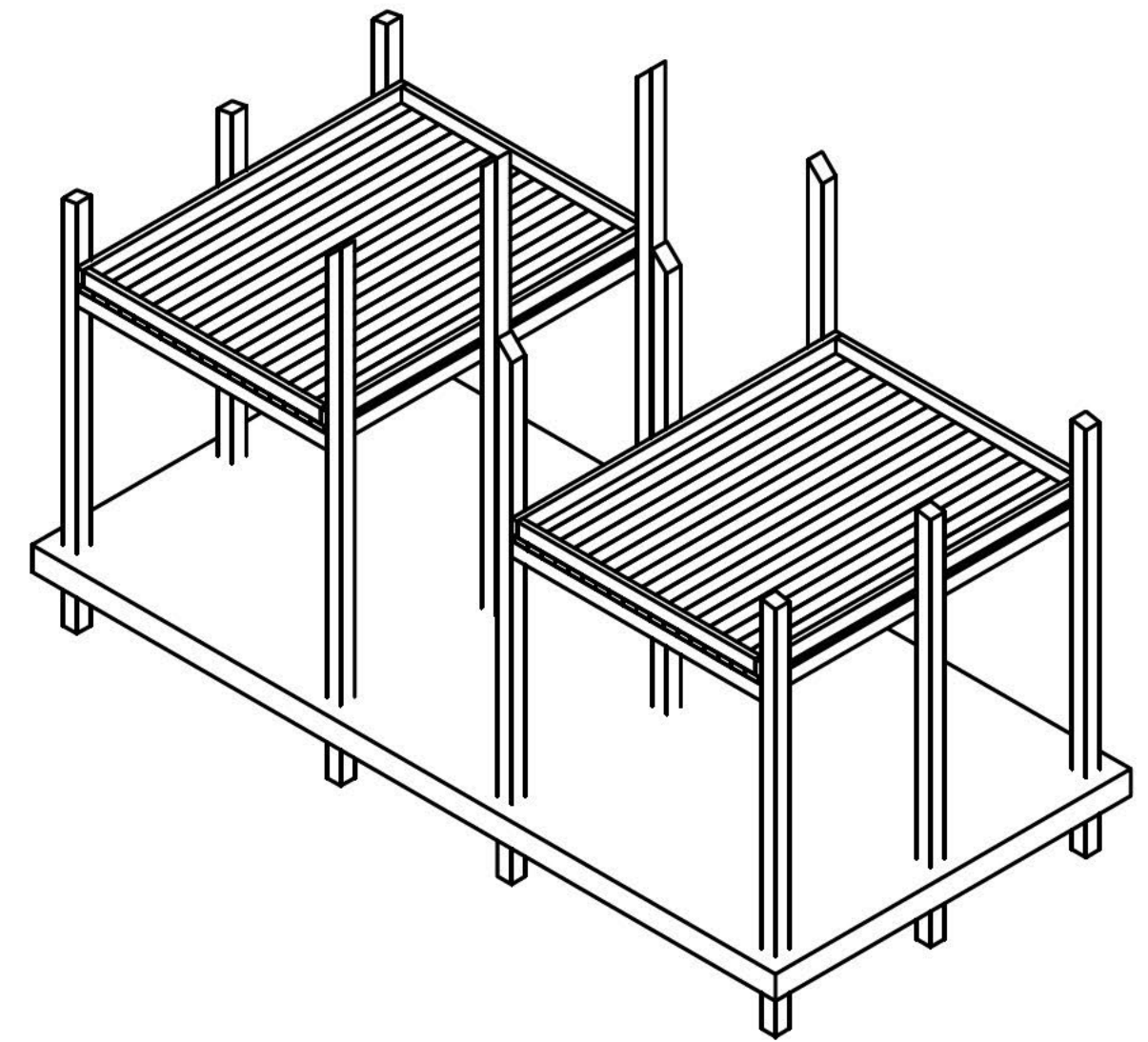
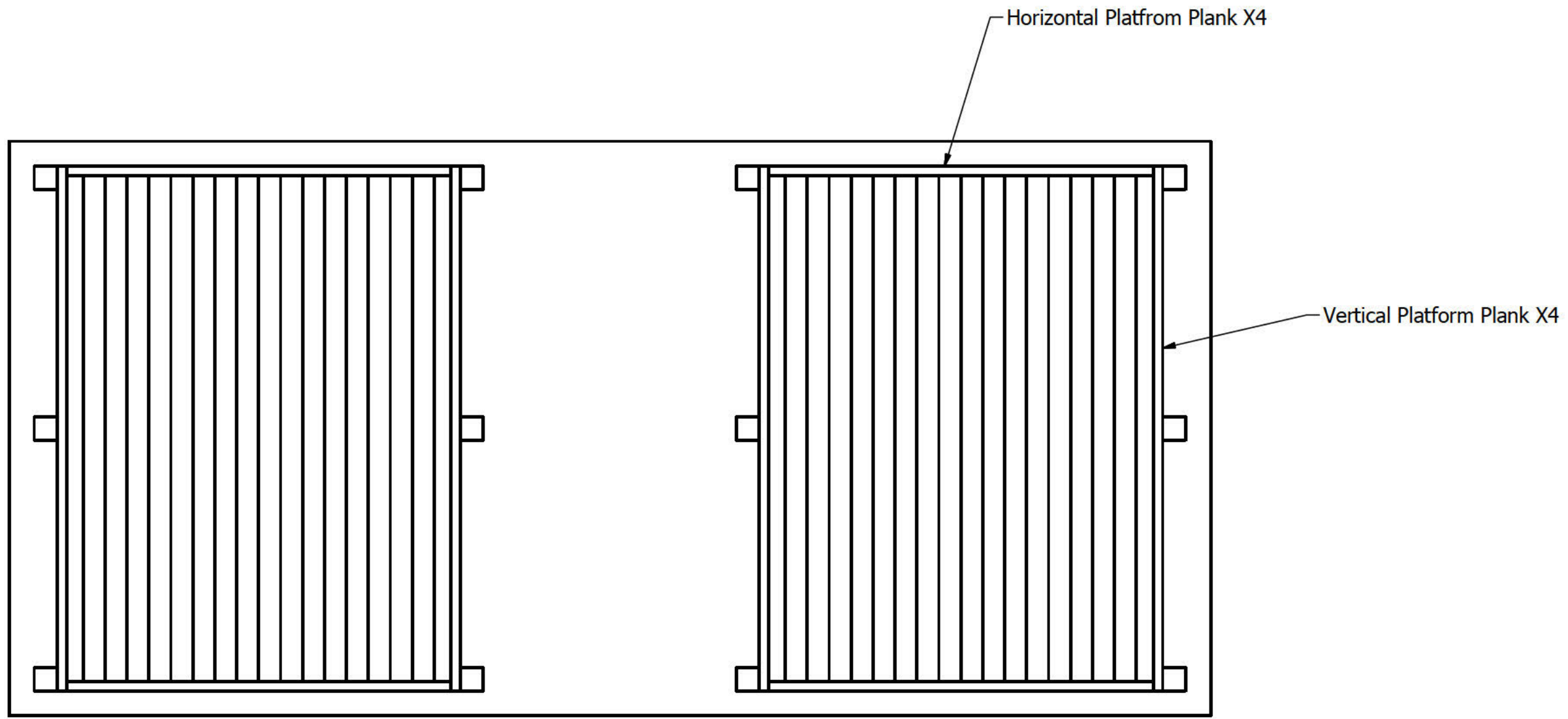


DRAWN	Chris Logston	7/10/2011		
CHECKED			TITLE	
QA			Shed	
MFG				
APPROVED				
		SIZE	DWG NO	REV
		C	Construction Plans	
		SCALE	SHEET 7 OF 38	

PRODUCED BY AN AUTODESK EDUCATIONAL PRODUCT

PRODUCED BY AN AUTODESK EDUCATIONAL PRODUCT

Platform Planks



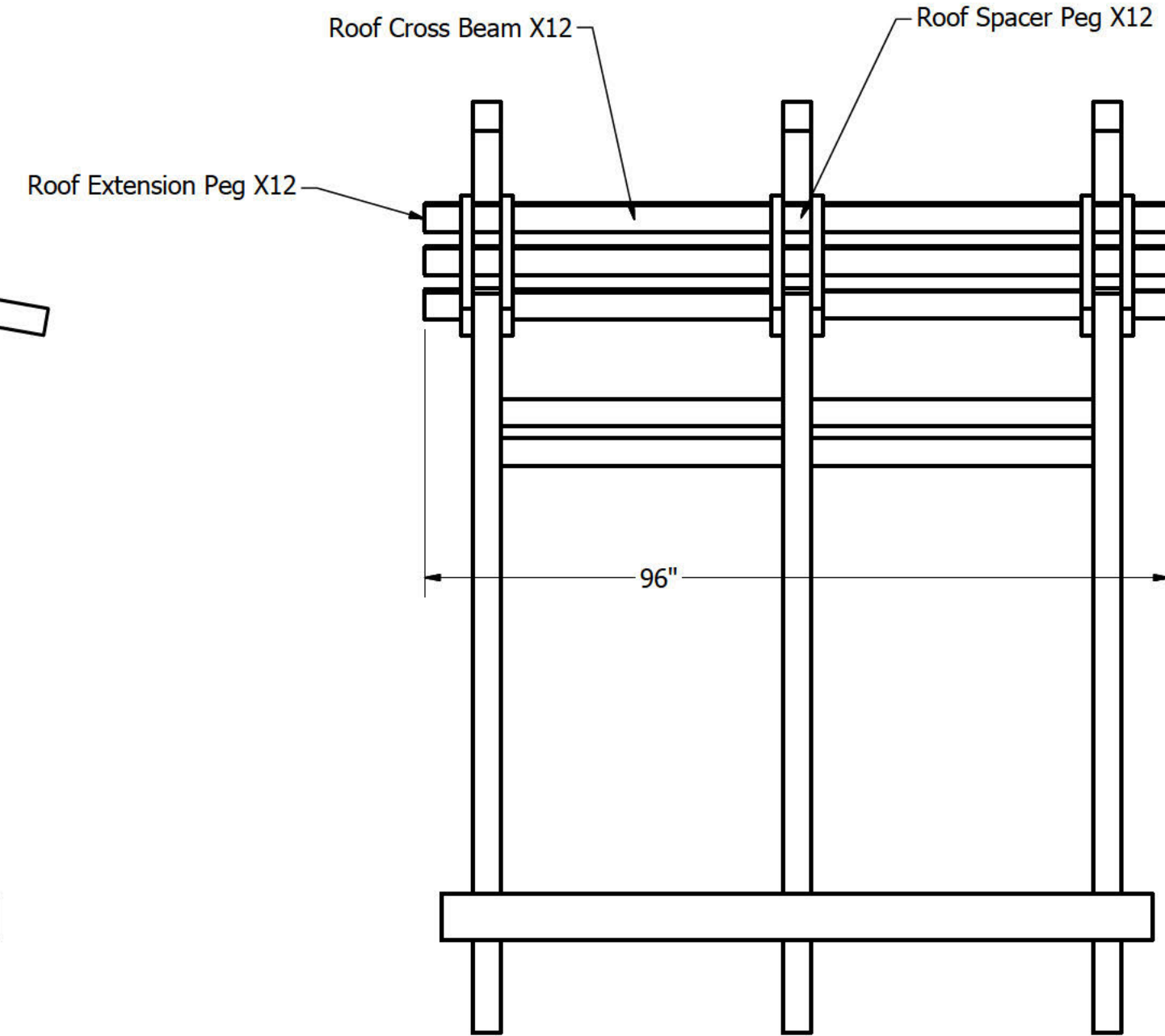
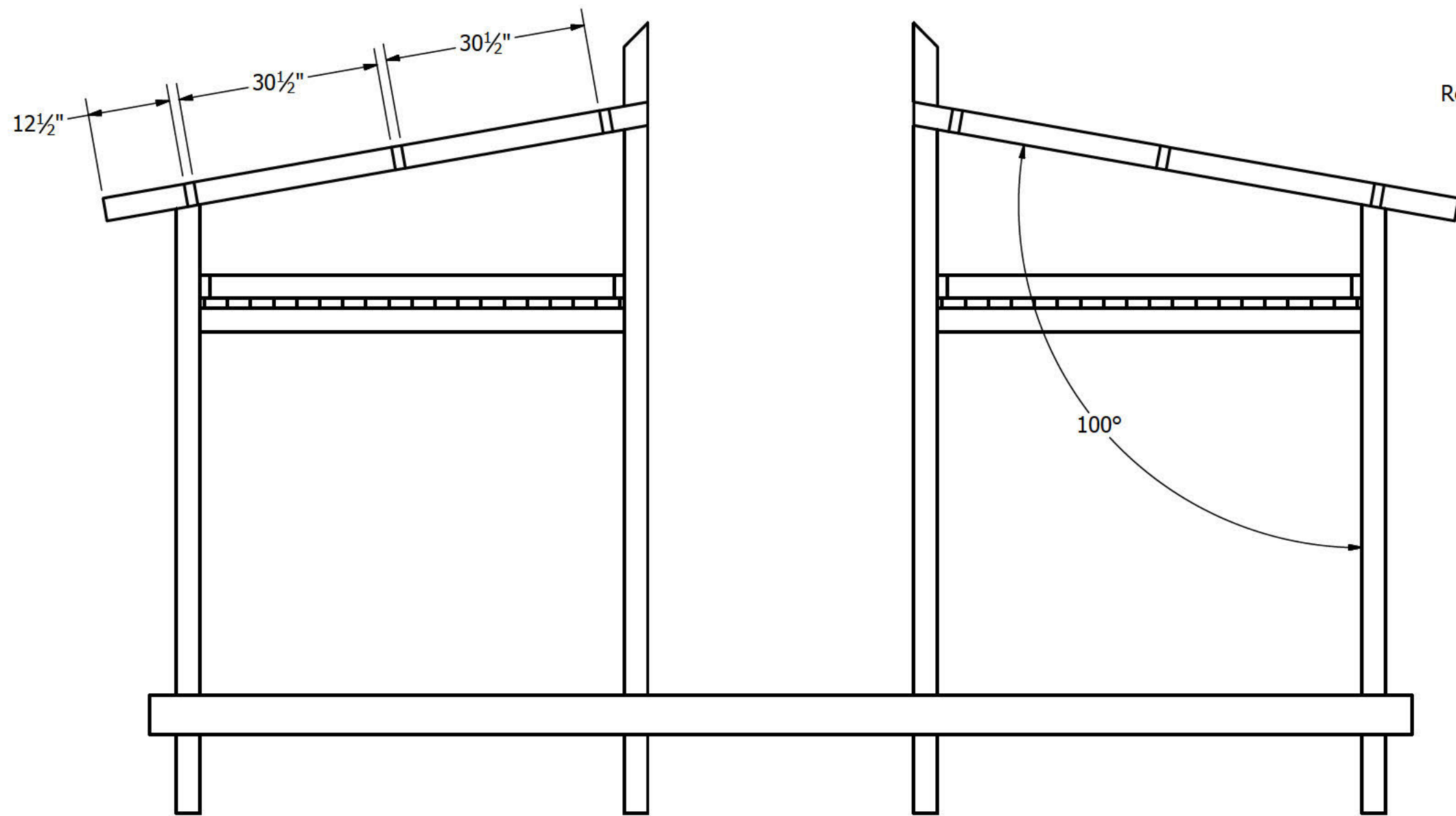
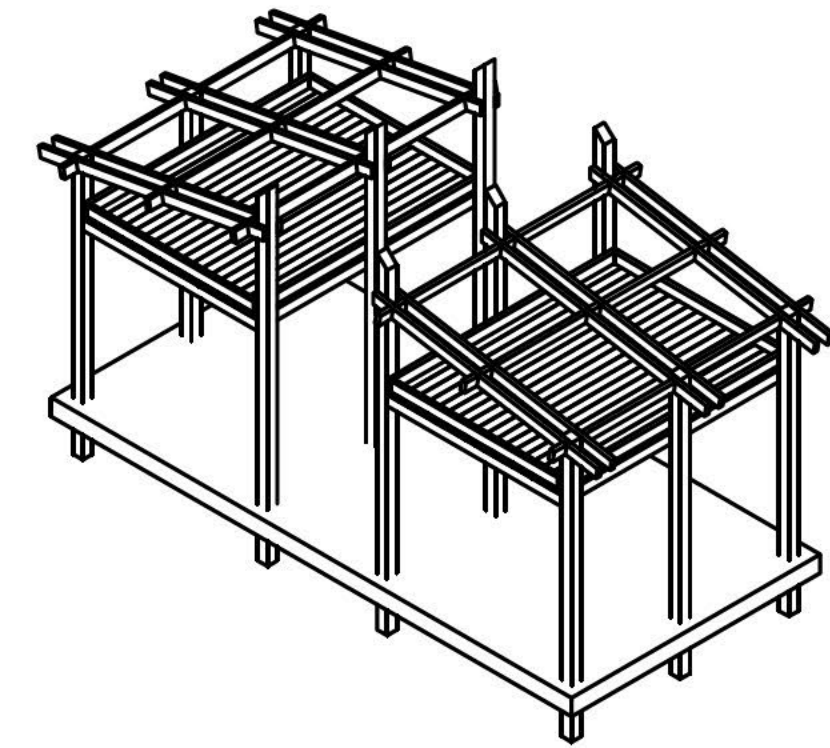
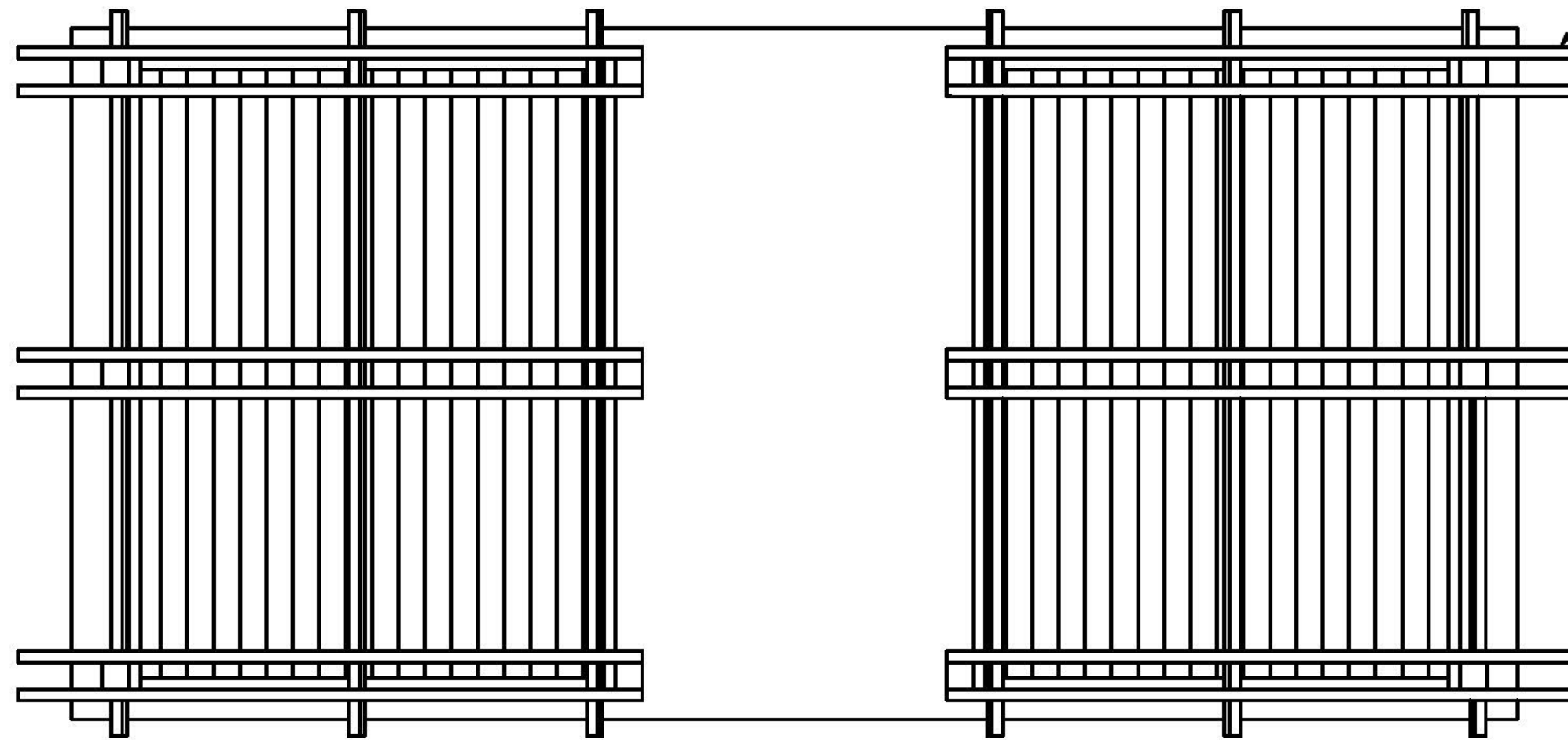
- Parts List:
 Vertical Platform Plank X40
 Horizontal Platform Plank X4

DRAWN Chris Logston	7/10/2011			
CHECKED		TITLE		
QA		Shed		
MFG				
APPROVED		SIZE C	DWG NO Construction Plans	REV
		SCALE	SHEET 8 OF 38	

PRODUCED BY AN AUTODESK EDUCATIONAL PRODUCT

PRODUCED BY AN AUTODESK EDUCATIONAL PRODUCT

Lower Roofing



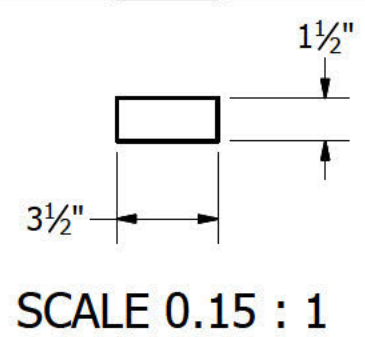
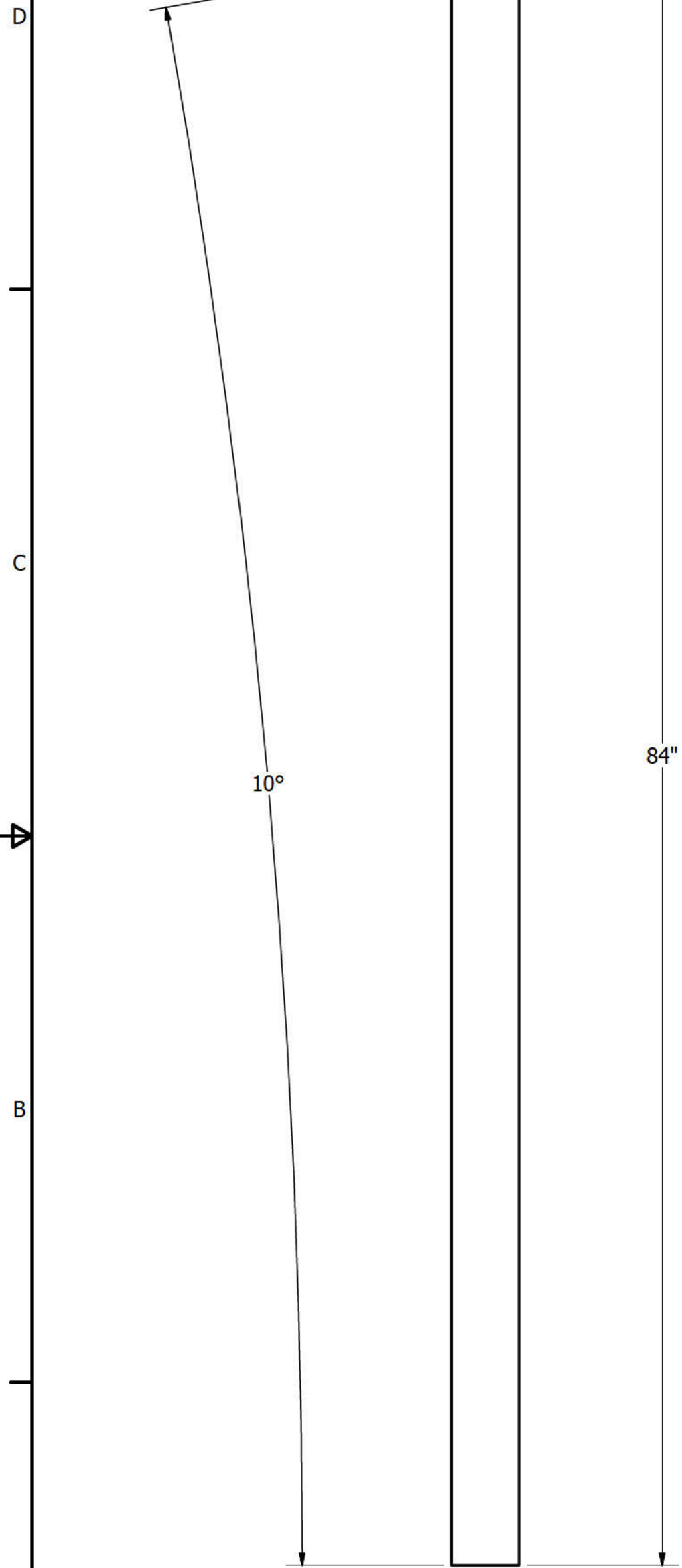
- Parts List:
 Lower Roof Truss X12
 Roof Cross Beam X12
 Roof Spacer Peg X12
 Roof Extension Peg X12

DRAWN Chris Logston	7/10/2011	TITLE		
CHECKED		Shed		
QA		SIZE	DWG NO	REV
MFG		C	Construction Plans	
APPROVED		SCALE	SHEET 9 OF 38	

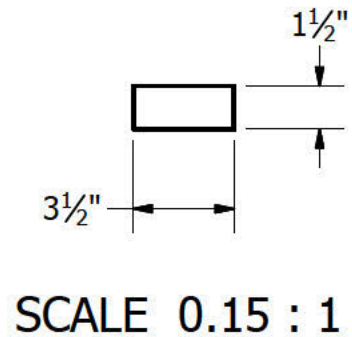
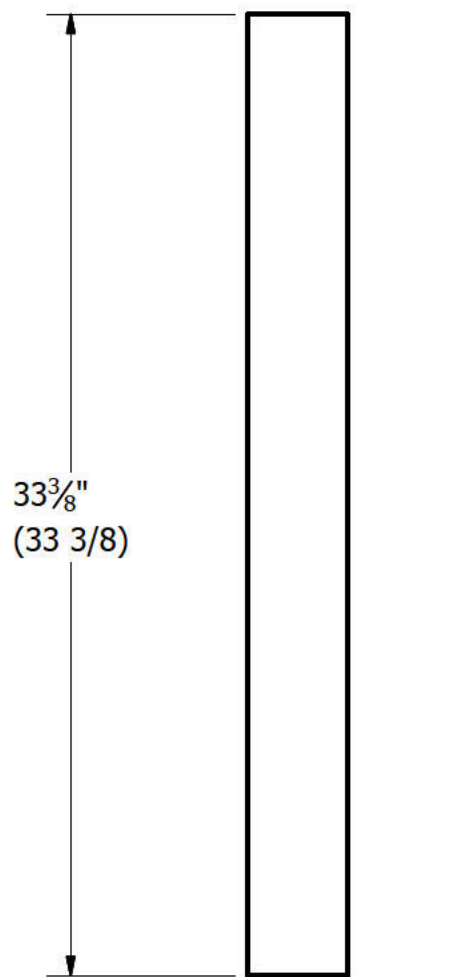
PRODUCED BY AN AUTODESK EDUCATIONAL PRODUCT

PRODUCED BY AN AUTODESK EDUCATIONAL PRODUCT

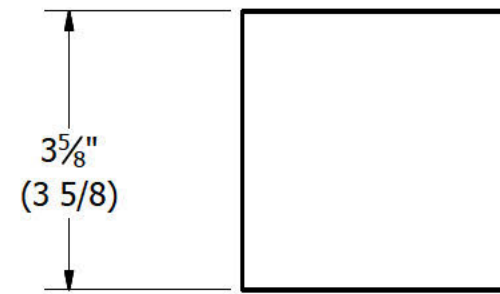
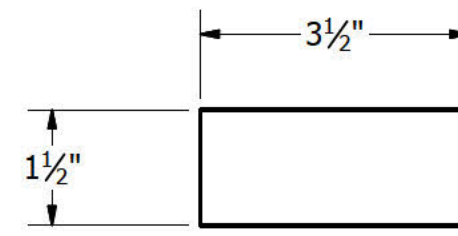
Lower Roof Truss



Roof Cross Beam

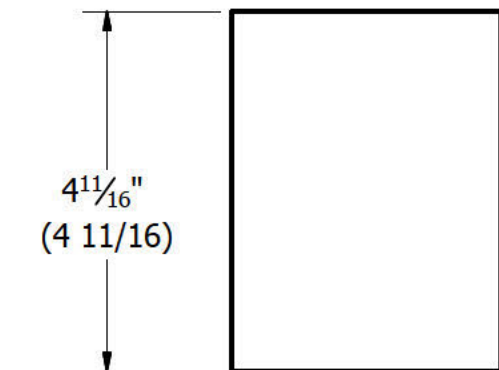
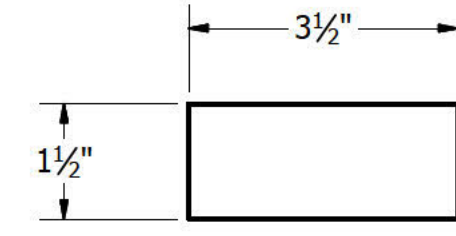


Roof Spacer Peg



SCALE 0.4 : 1

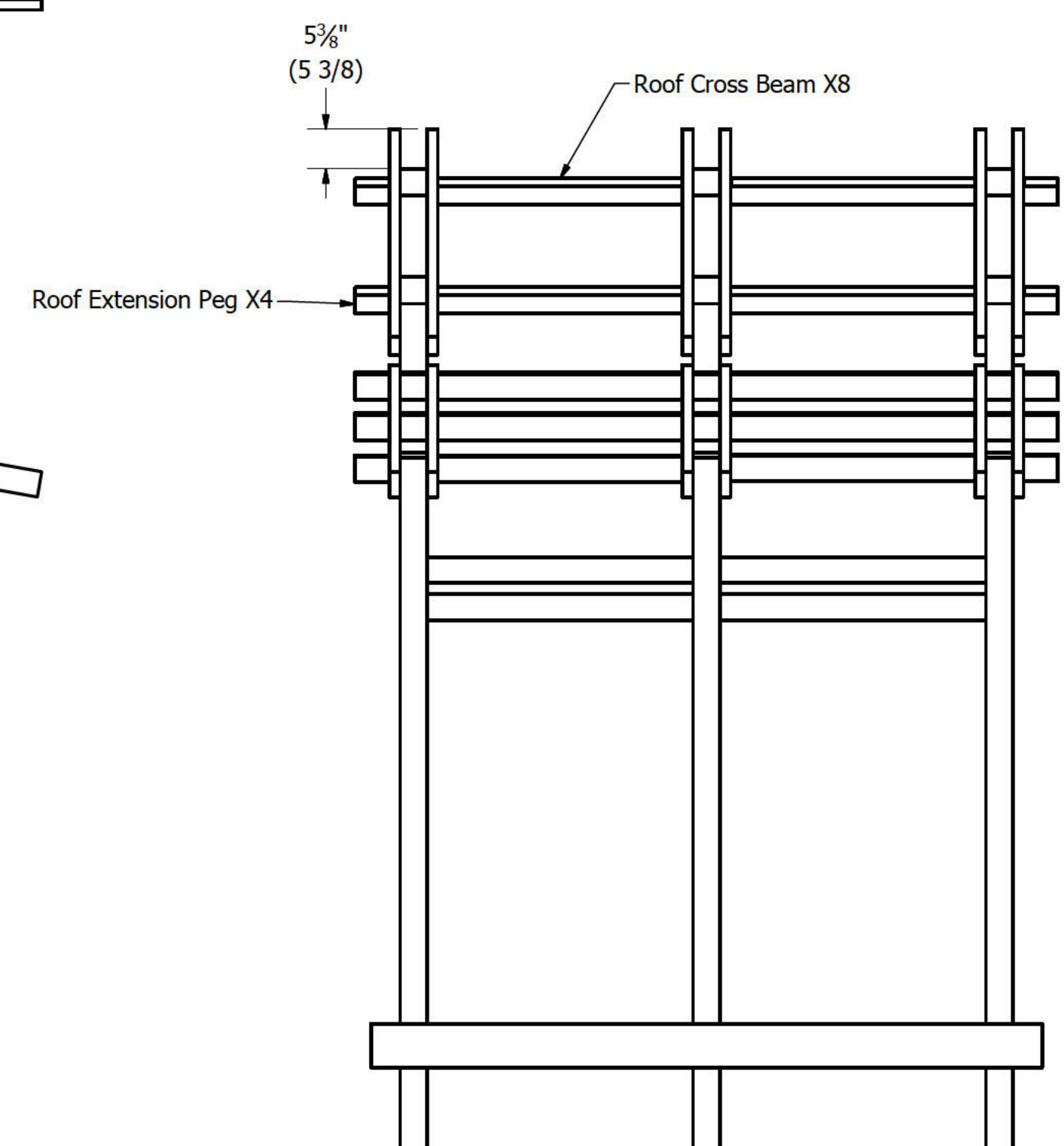
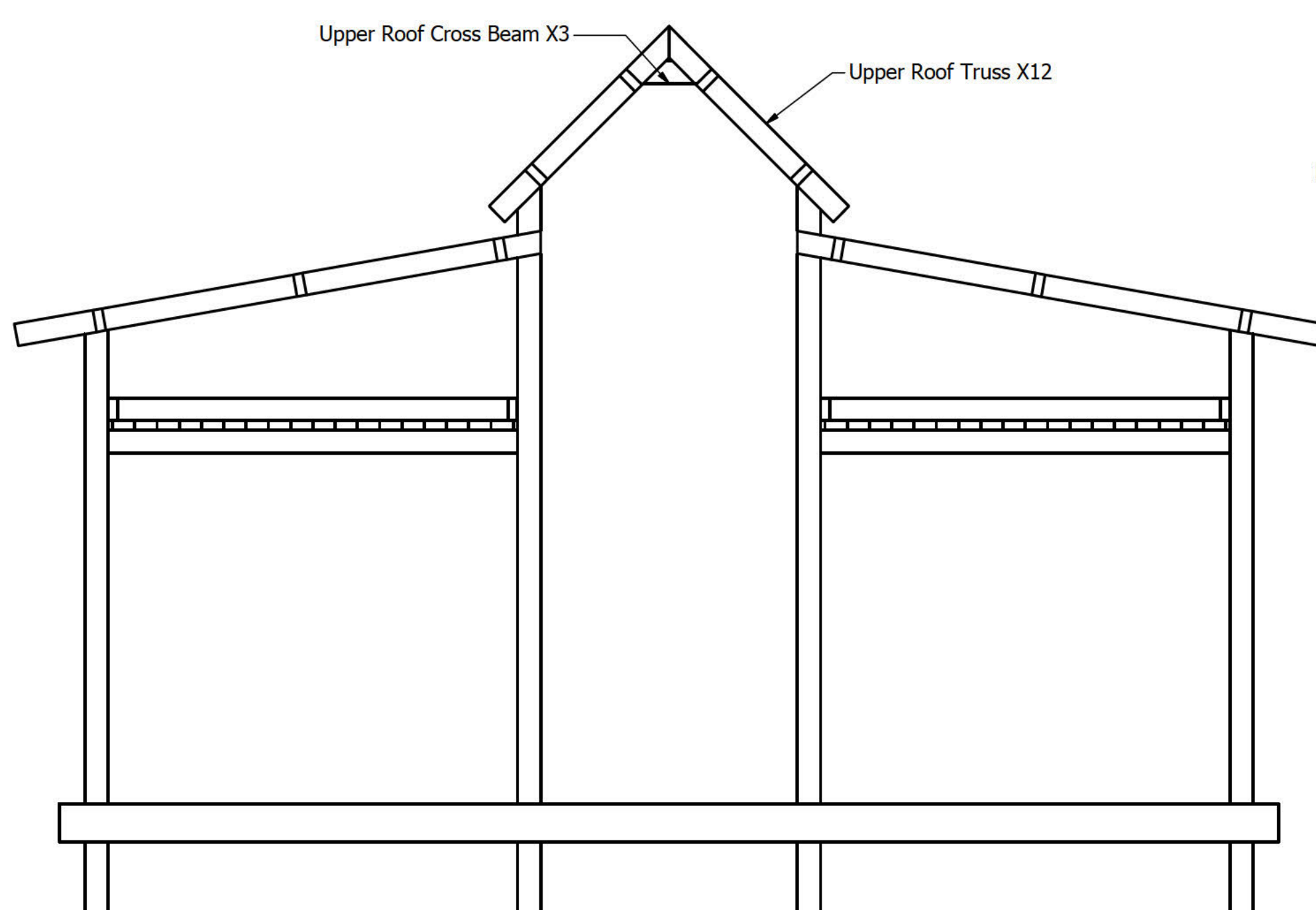
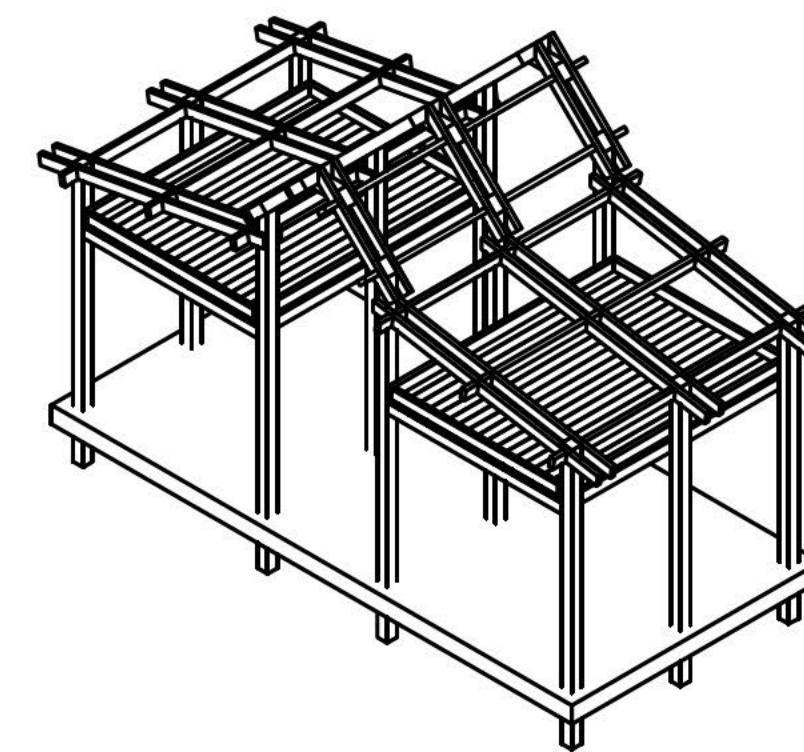
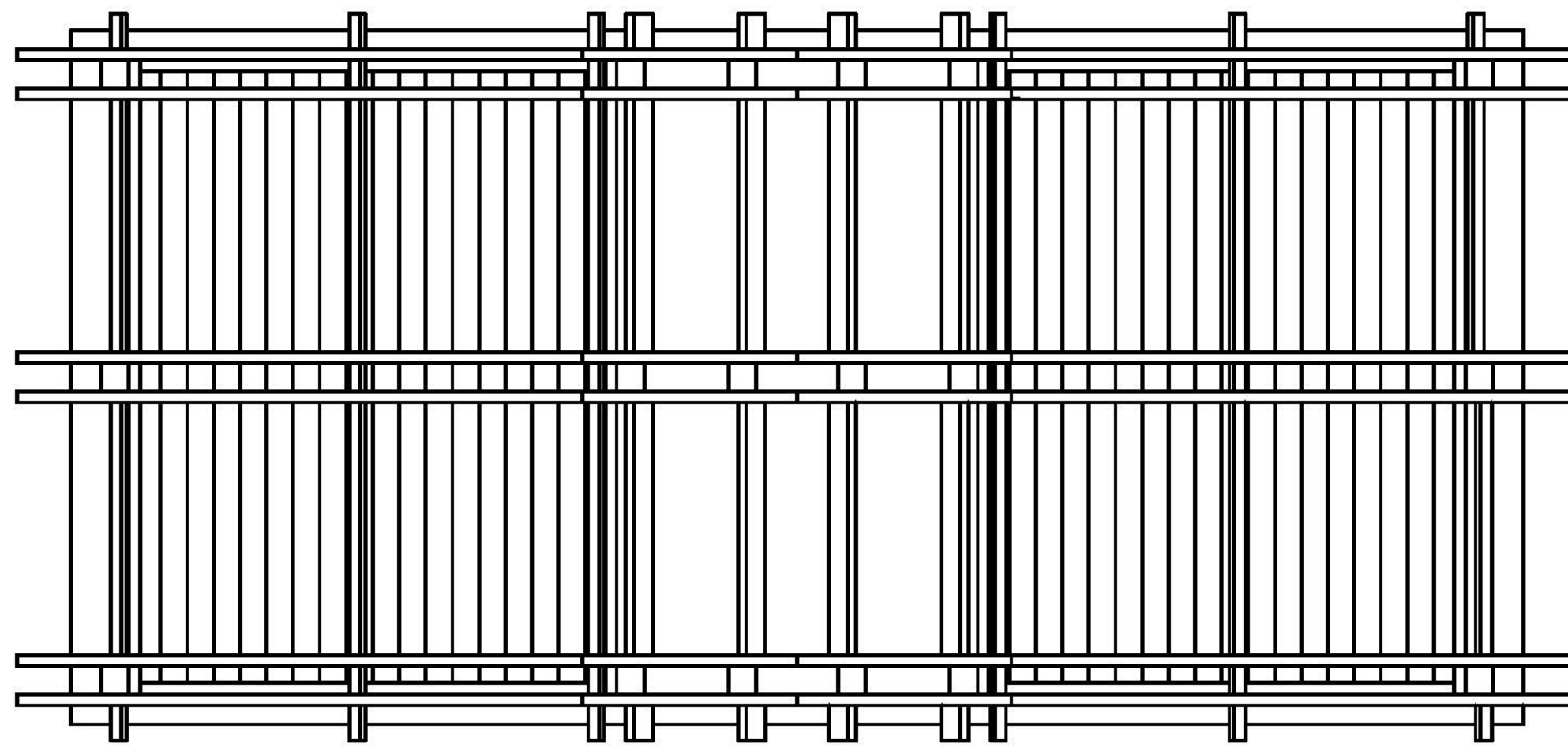
Roof Extension Peg



SCALE 0.4 : 1

DRAWN Chris Logston	7/10/2011			
CHECKED		TITLE		
QA		Shed		
MFG				
APPROVED				
		SIZE C	DWG NO Construction Plans	REV
		SCALE	SHEET 10 OF 38	

Upper Roofing



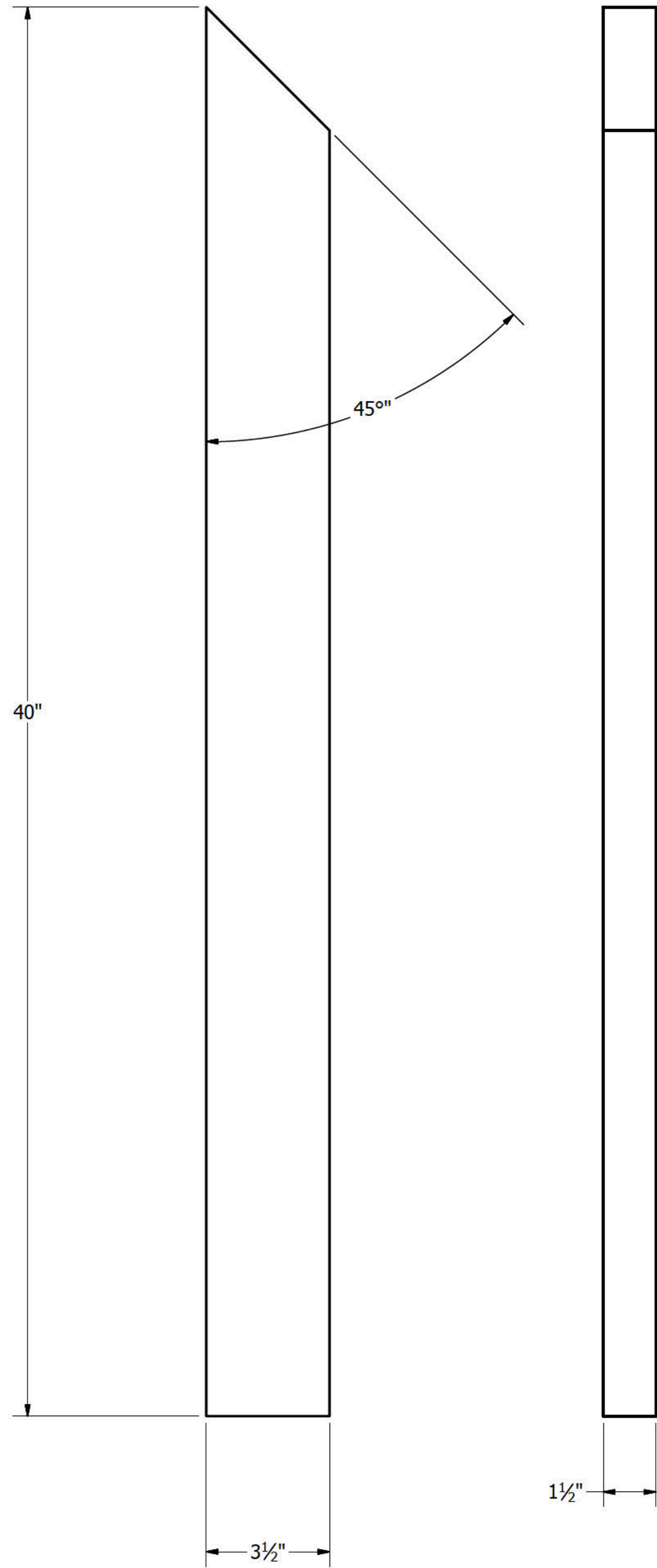
- Parts List:
 Upper Roofing Truss X12
 Roof Extension Peg X4
 Roof Cross Beam X8

DRAWN Chris Logston	7/10/2011	TITLE		
CHECKED		Shed		
QA		SIZE	DWG NO	REV
MFG		C	Construction Plans	
APPROVED		SCALE	SHEET 11 OF 38	

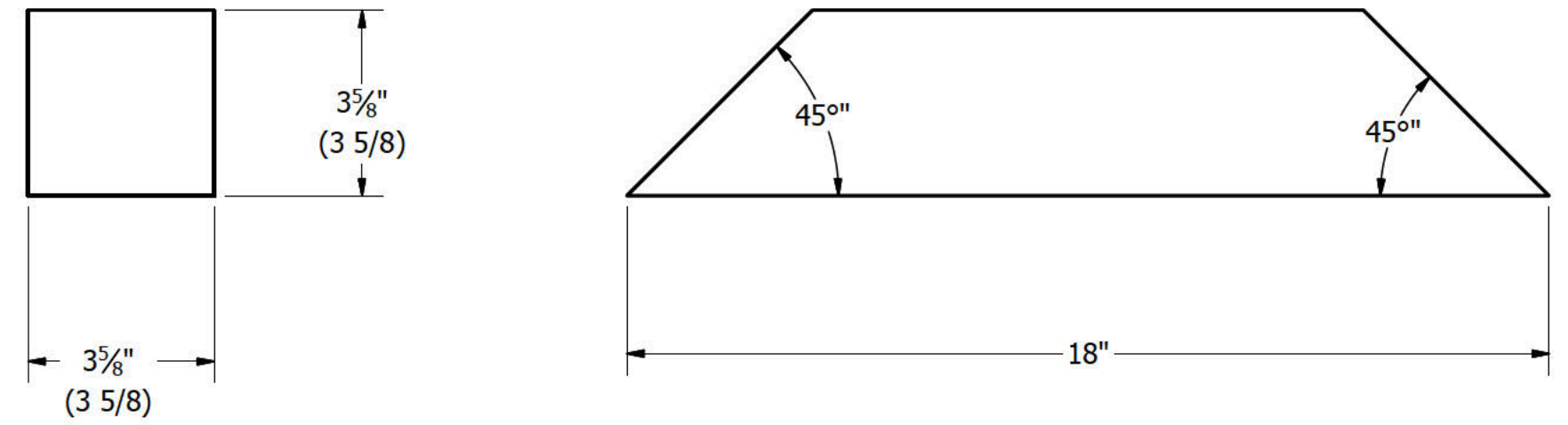
PRODUCED BY AN AUTODESK EDUCATIONAL PRODUCT

PRODUCED BY AN AUTODESK EDUCATIONAL PRODUCT

Upper Roof Truss



Upper Roof Cross Beam



DRAWN Chris Logston	7/10/2011			
CHECKED		TITLE		
QA		Shed		
MFG				
APPROVED		SIZE	DWG NO	REV
		C	Construction Plans	
		SCALE	SHEET 12 OF 38	

PRODUCED BY AN AUTODESK EDUCATIONAL PRODUCT

PRODUCED BY AN AUTODESK EDUCATIONAL PRODUCT

Brick Tiers 1 - 7

Tier 7
 Tier 6
 Tier 5
 Tier 4
 Tier 3
 Tier 2
 Tier 1

Parts List:
 Full Brick X1757
 Half Brick X350

DRAWN Chris Logston		7/10/2011			
CHECKED				TITLE	
QA				Shed	
MFG					
APPROVED					
		SIZE C	DWG NO Construction Plans		REV
		SCALE			SHEET 13 OF 38

PRODUCED BY AN AUTODESK EDUCATIONAL PRODUCT

PRODUCED BY AN AUTODESK EDUCATIONAL PRODUCT

4

3

2

1

D

D

C

C

B

B

A

A

4

3

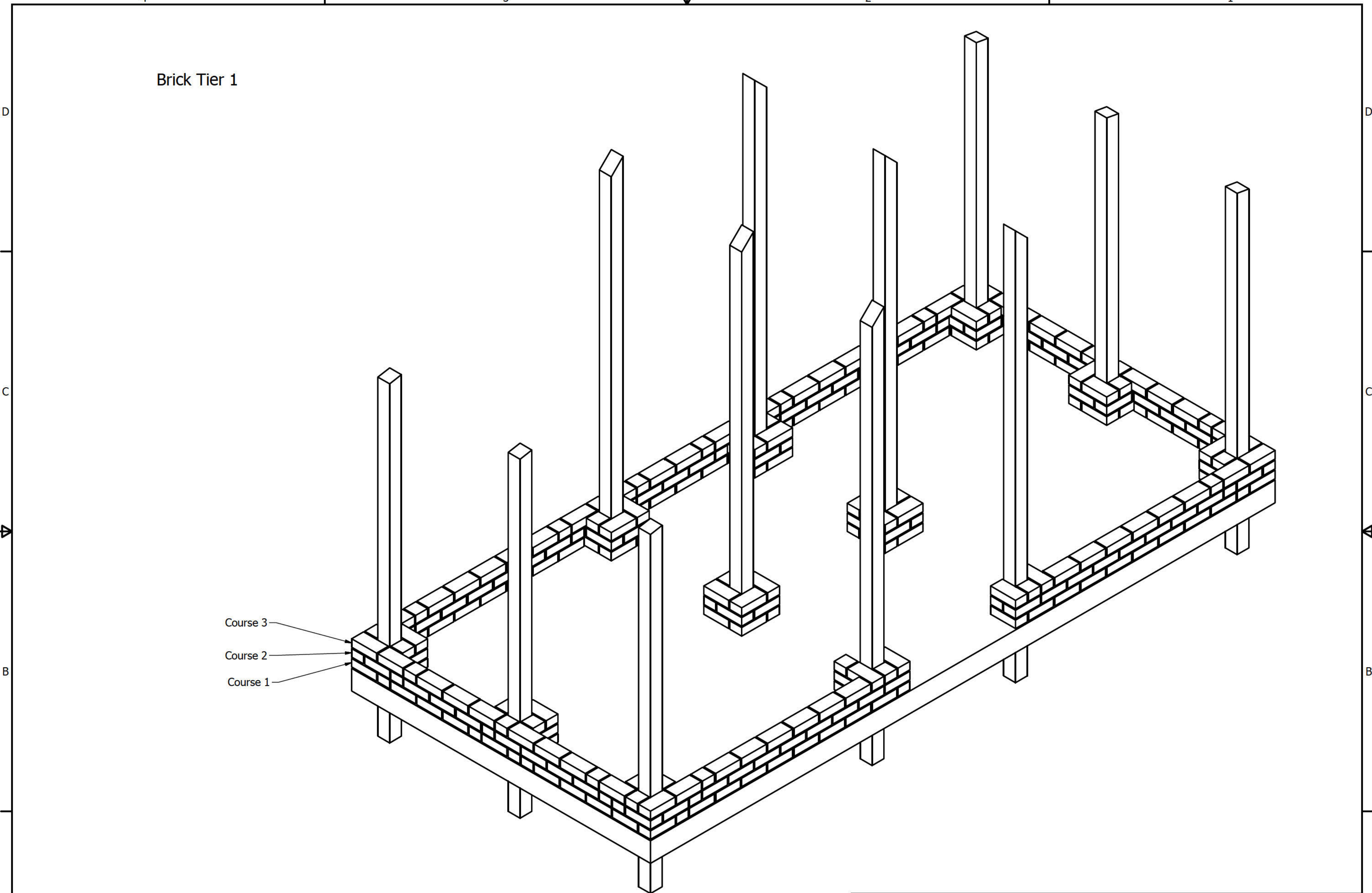
2

1

Brick Tier 1

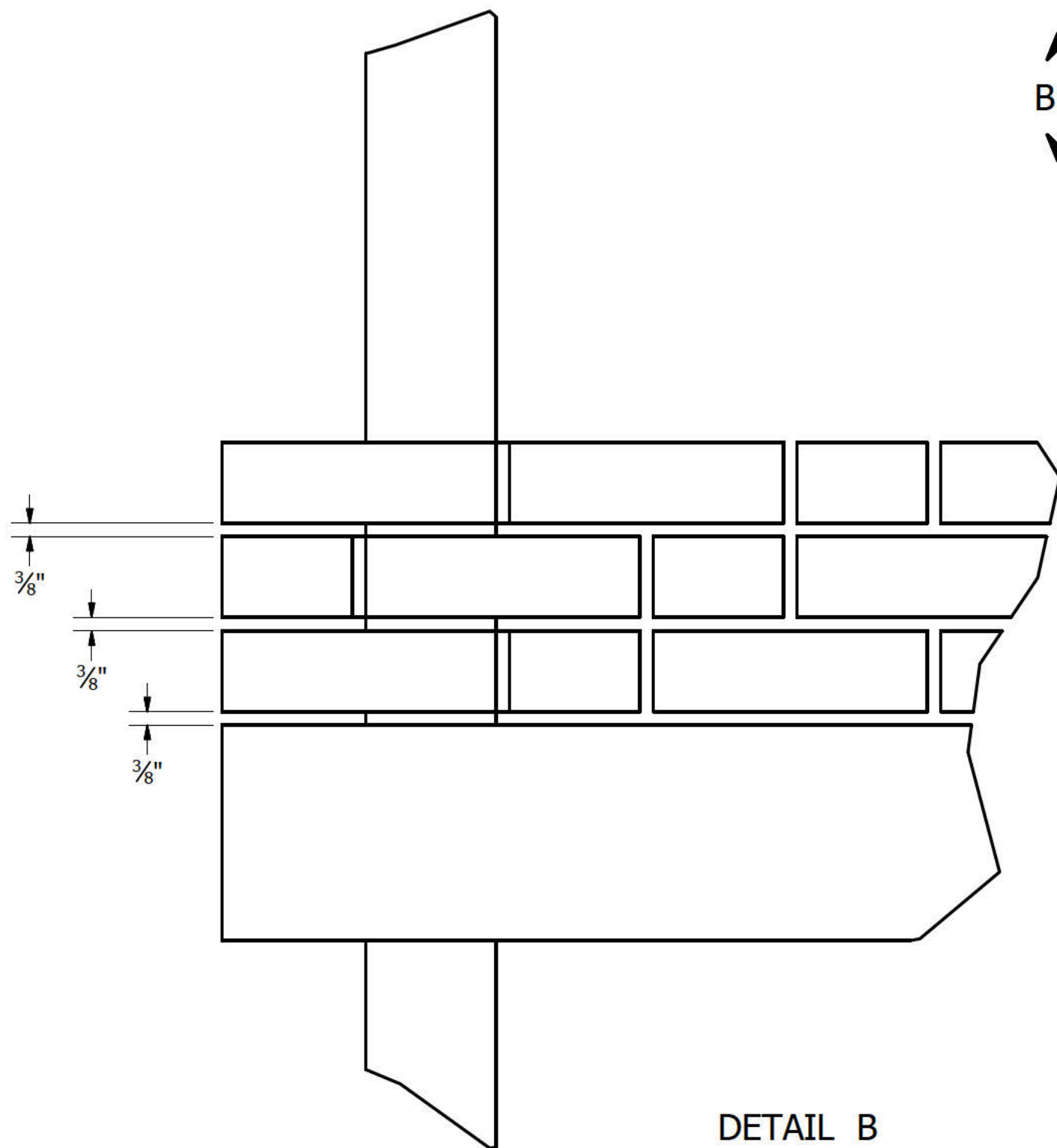
Course 3
Course 2
Course 1

Parts List:
Full Brick X251
Half Brick X50

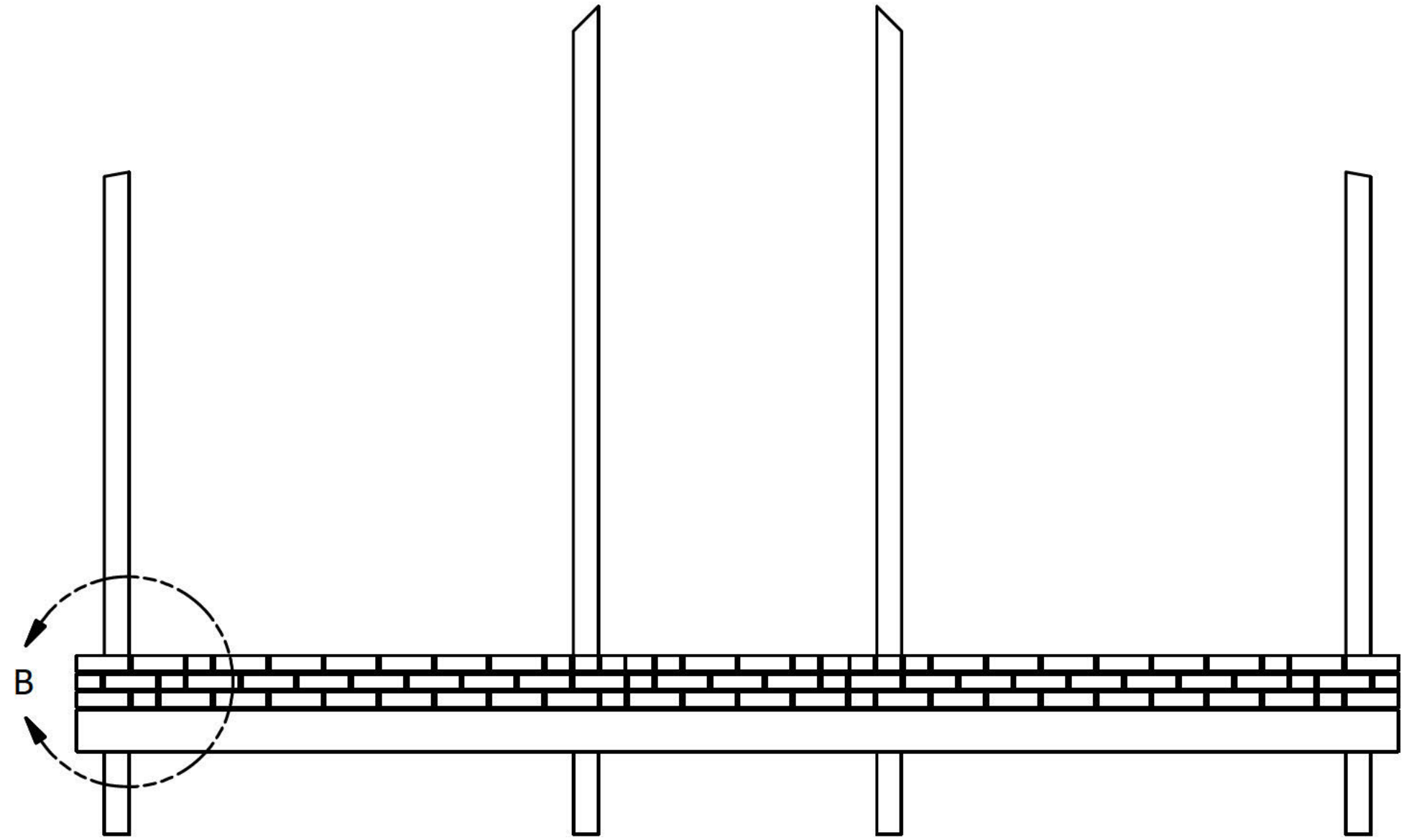


DRAWN Chris Logston	7/10/2011			
CHECKED		TITLE		
QA		Shed		
MFG				
APPROVED		SIZE	DWG NO	REV
		C	Construction Plans	
		SCALE	SHEET 14 OF 38	

Tier Spacing



DETAIL B
All Foot Joints are 3/8" Thick



DRAWN Chris Logston	7/10/2011	TITLE		
CHECKED		Shed		
QA		SIZE C	DWG NO	REV
MFG		Construction Plans		
APPROVED		SCALE	SHEET 15 OF 38	

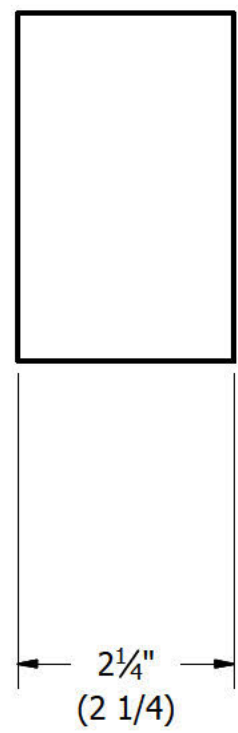
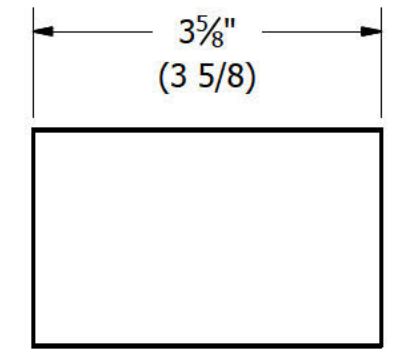
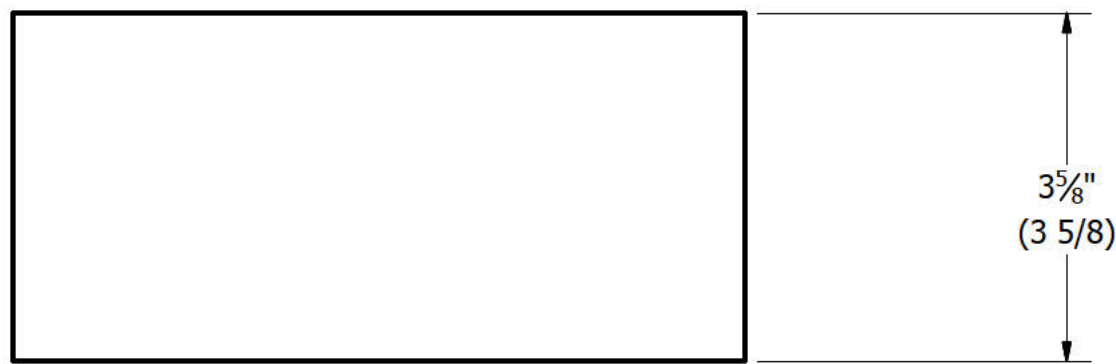
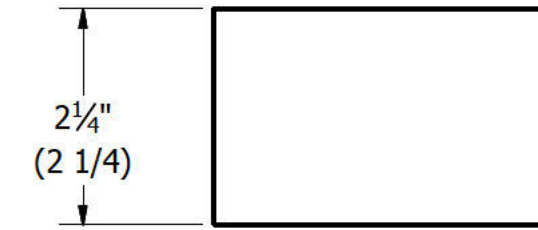
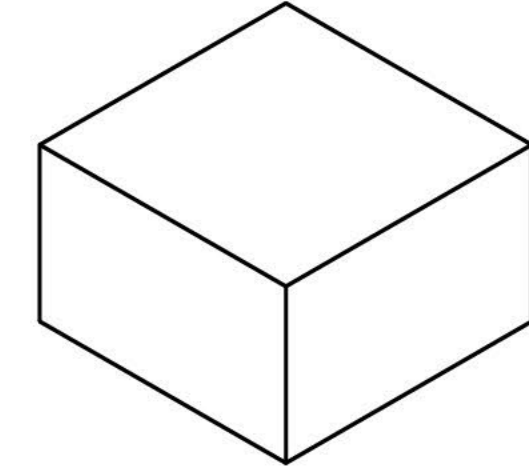
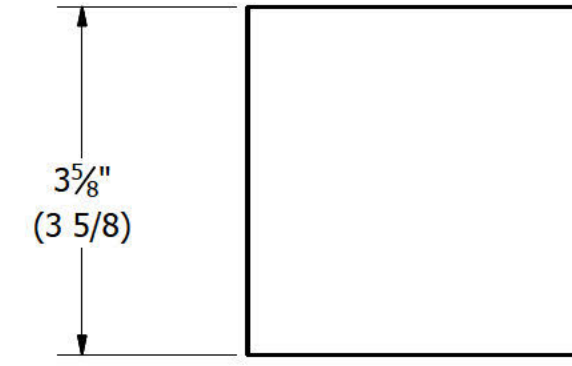
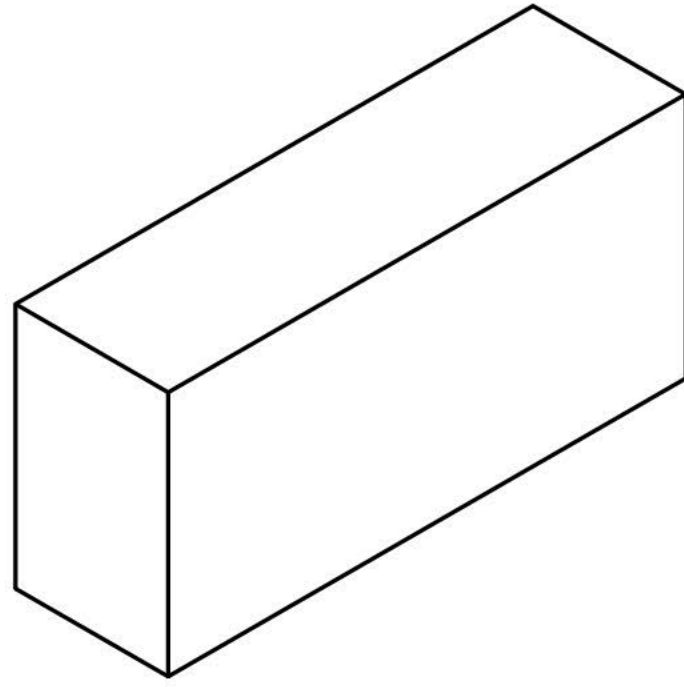
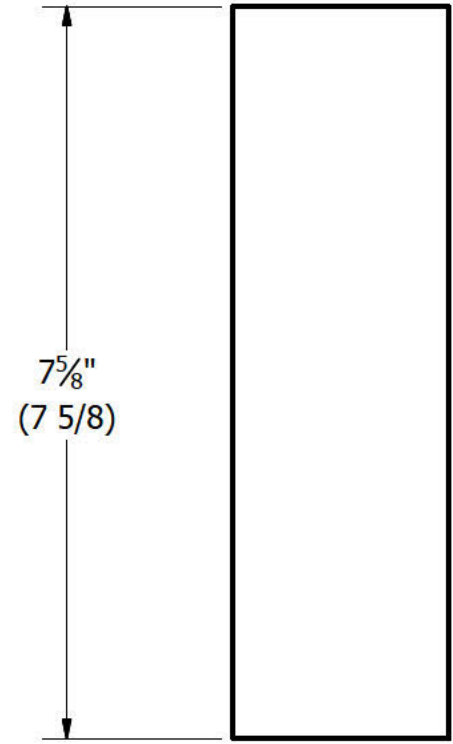
PRODUCED BY AN AUTODESK EDUCATIONAL PRODUCT

PRODUCED BY AN AUTODESK EDUCATIONAL PRODUCT

Brick Dimensions

Full Brick

Half Brick

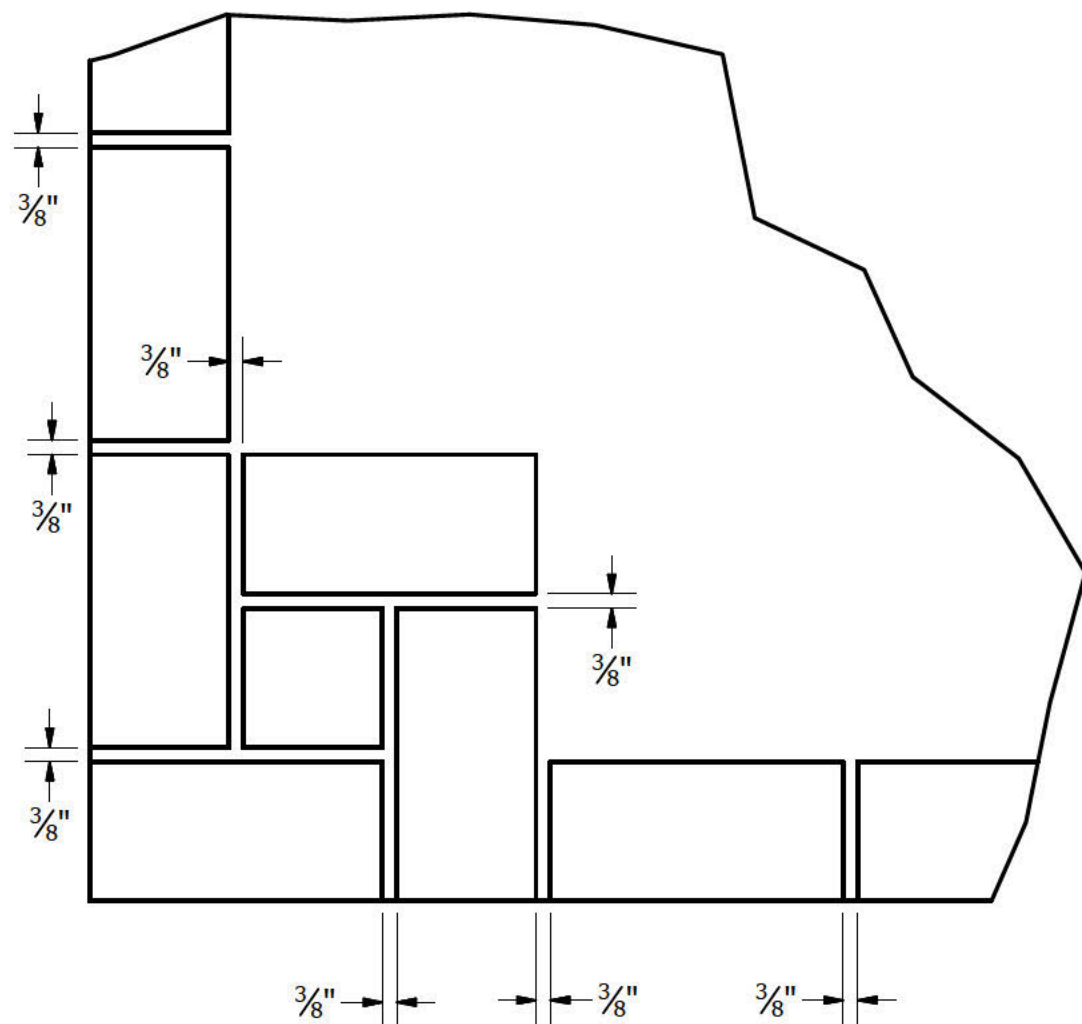
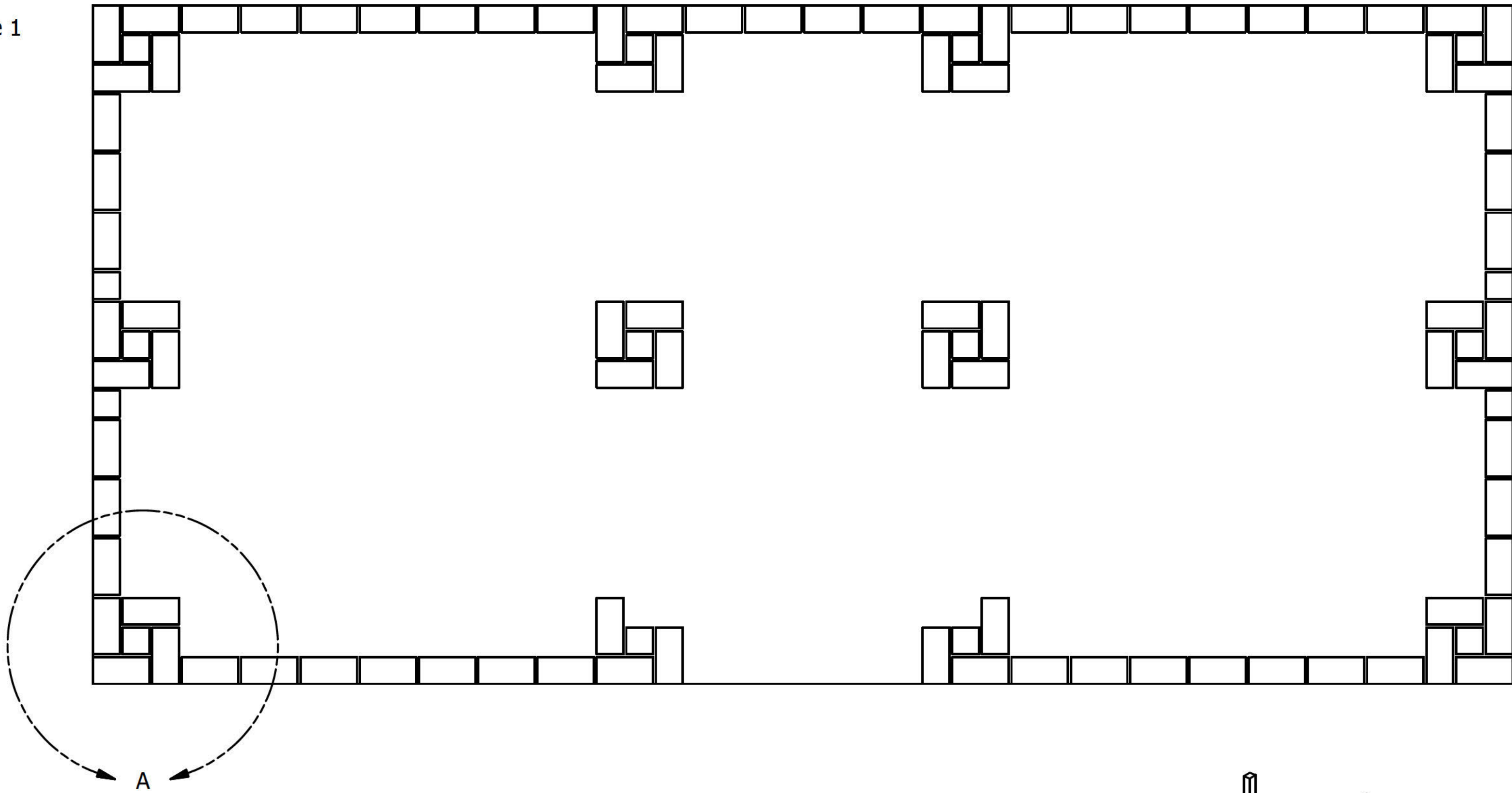


DRAWN Chris Logston	7/10/2011	TITLE		
CHECKED		Shed		
QA		SIZE	DWG NO	REV
MFG		C	Construction Plans	
APPROVED		SCALE	SHEET 16 OF 38	

PRODUCED BY AN AUTODESK EDUCATIONAL PRODUCT

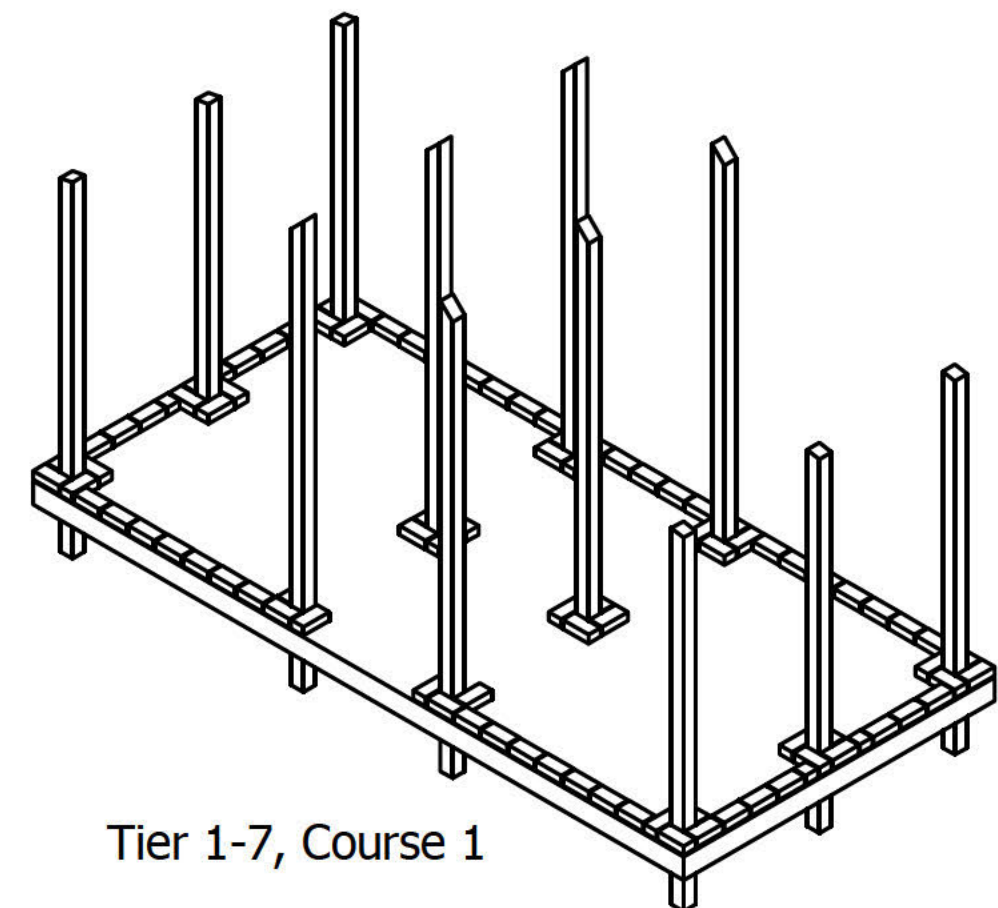
PRODUCED BY AN AUTODESK EDUCATIONAL PRODUCT

Tier 1 - 7, Course 1



Parts List:
 Full Brick X90
 Half Brick X4

DETAIL A
 All Head Joints are 3/8" Thick



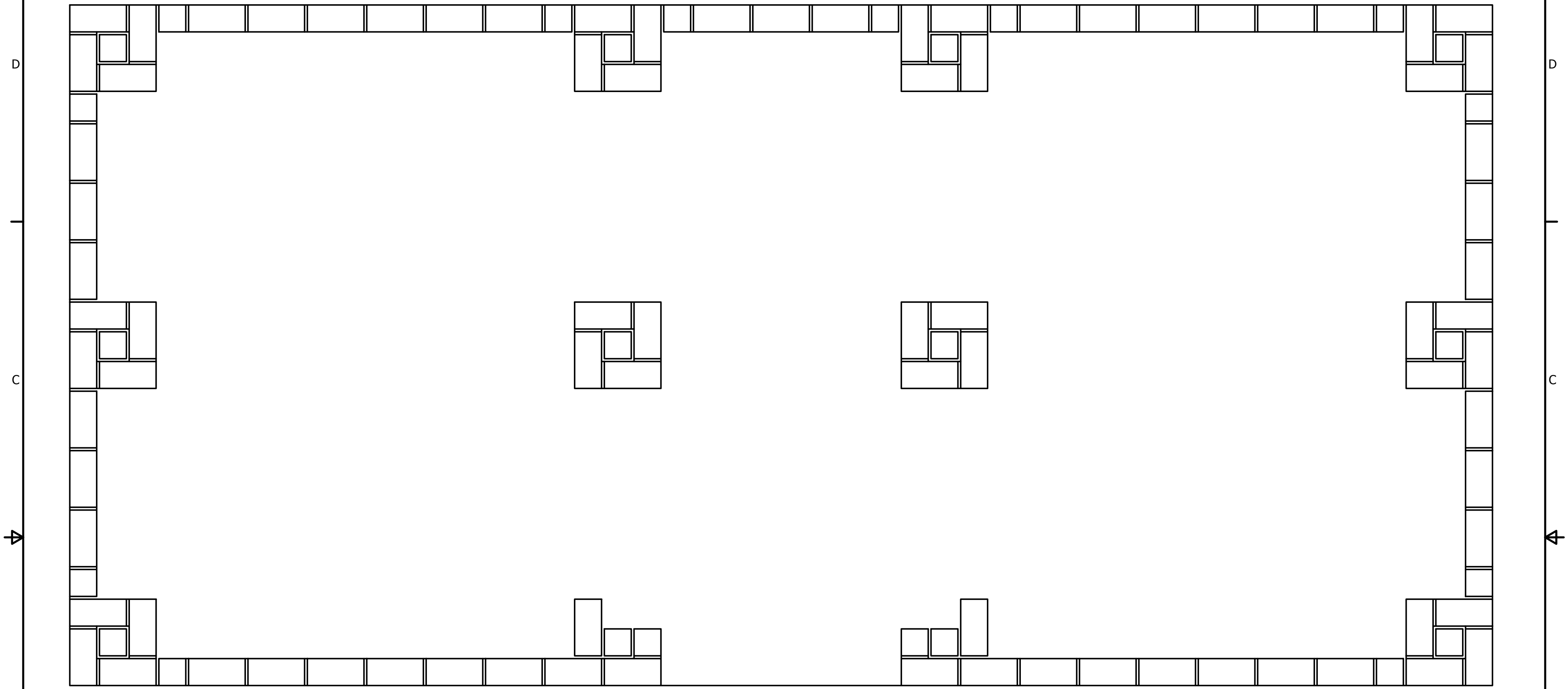
Tier 1-7, Course 1

DRAWN Chris Logston	7/10/2011	TITLE		
CHECKED		Shed		
QA		SIZE	DWG NO	REV
MFG		C	Construction Plans	
APPROVED		SCALE	SHEET 17 OF 38	

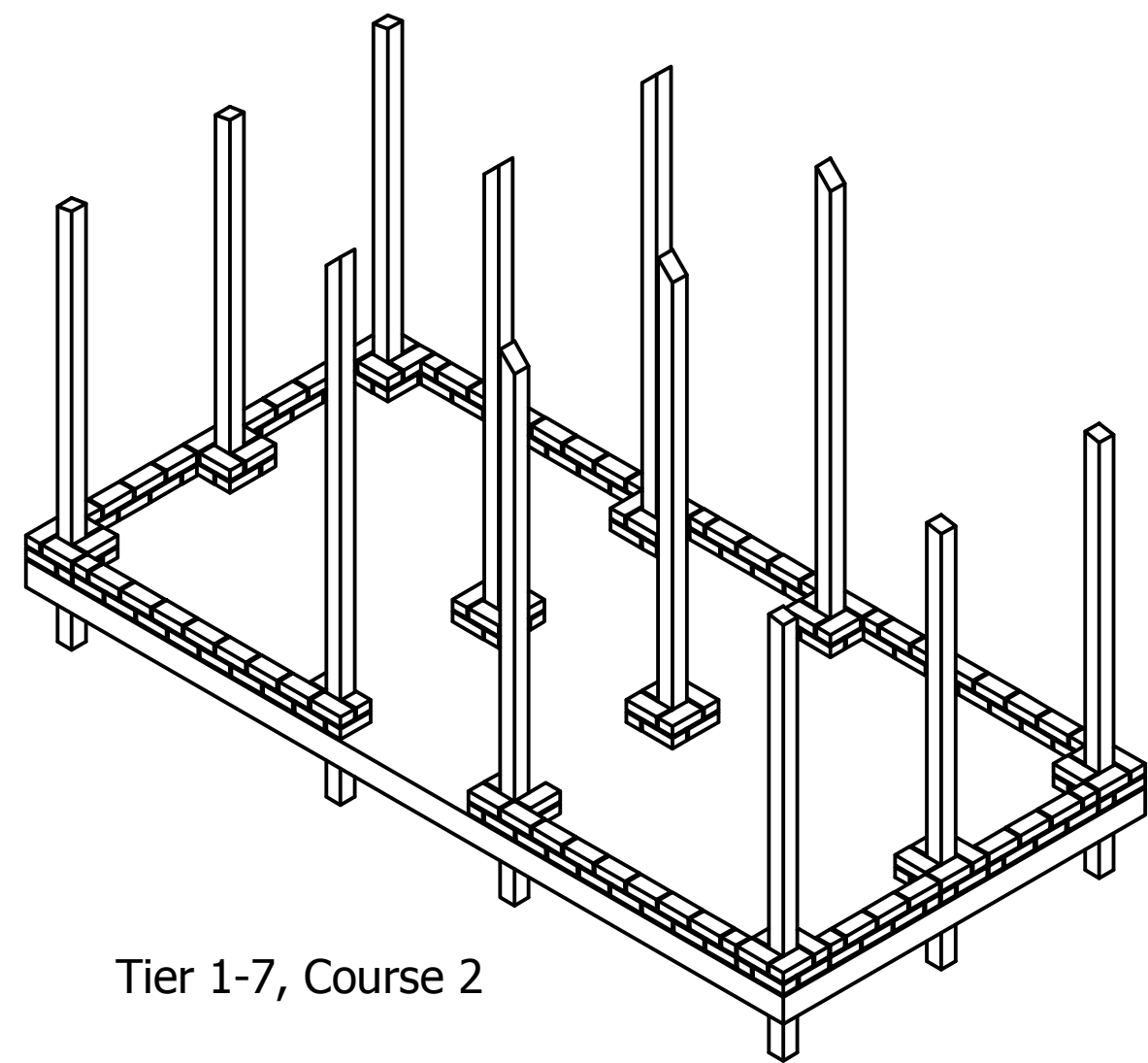
PRODUCED BY AN AUTODESK EDUCATIONAL PRODUCT

PRODUCED BY AN AUTODESK EDUCATIONAL PRODUCT

Tier 1-7, Course 2



Parts List:
 Full Brick X85
 Half Brick x14



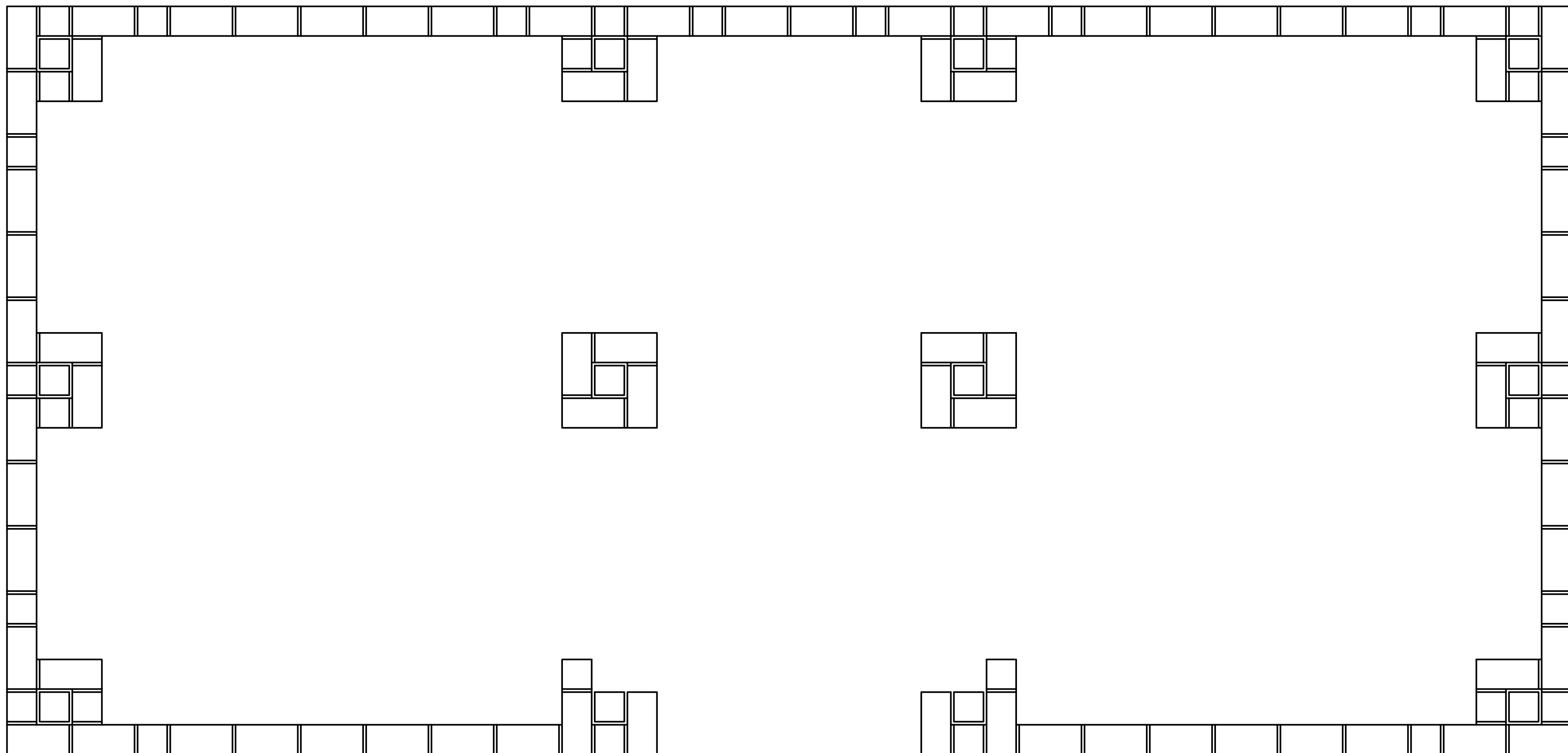
Tier 1-7, Course 2

DRAWN Chris Logston	7/10/2011	TITLE		
CHECKED		Shed		
QA		SIZE	DWG NO	REV
MFG		C	Construction Plans	
APPROVED		SCALE	SHEET 18 OF 38	

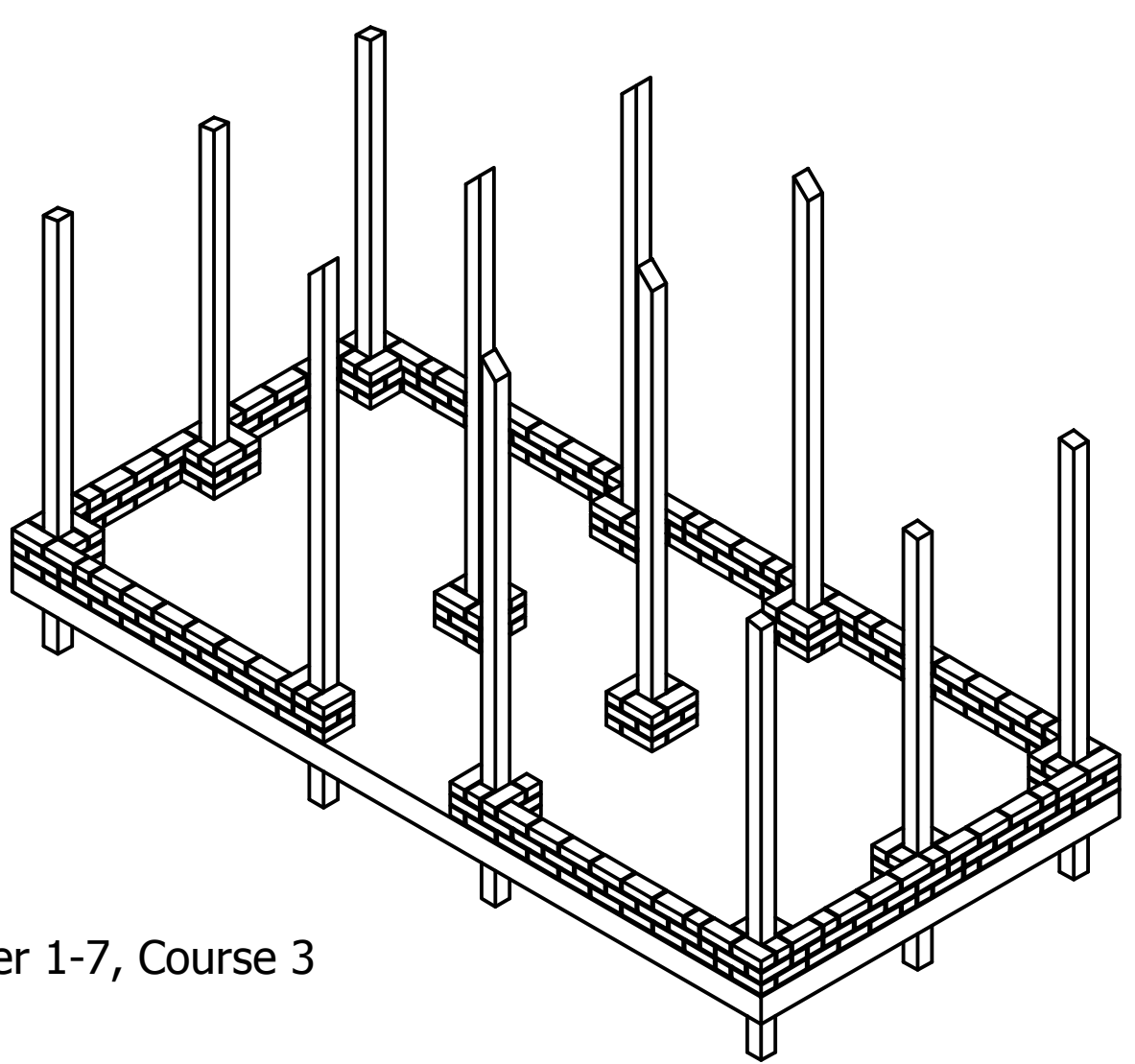
PRODUCED BY AN AUTODESK EDUCATIONAL PRODUCT

PRODUCED BY AN AUTODESK EDUCATIONAL PRODUCT

Tier 1 - 7, Course 3



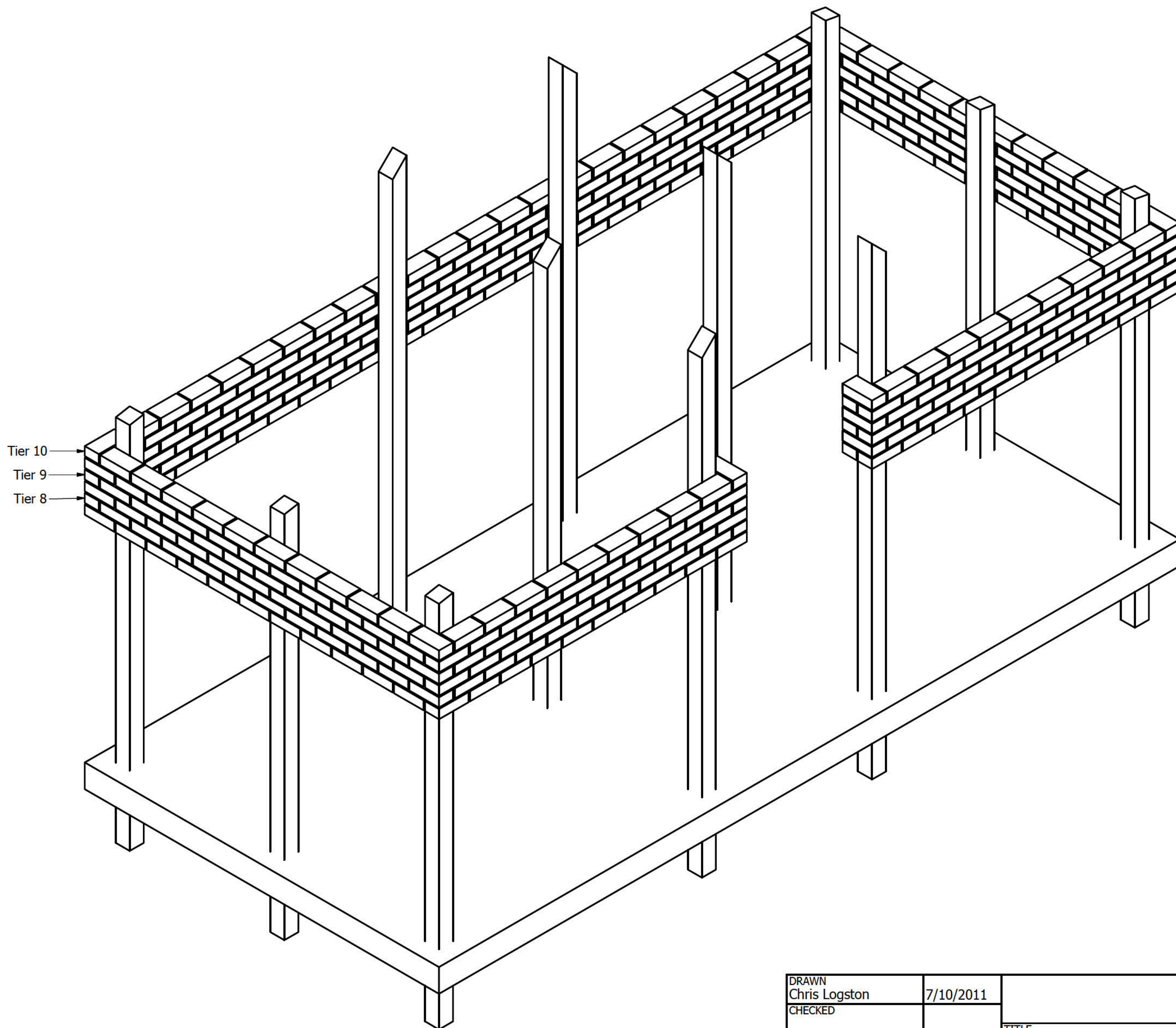
Parts List:
 Full Brick X76
 Half Brick X32



Tier 1-7, Course 3

DRAWN Chris Logston	7/10/2011	TITLE		
CHECKED		Shed		
QA		SIZE	DWG NO	REV
MFG		C	Construction Plans	
APPROVED		SCALE	SHEET 19 OF 38	

Brick Tiers 8-10



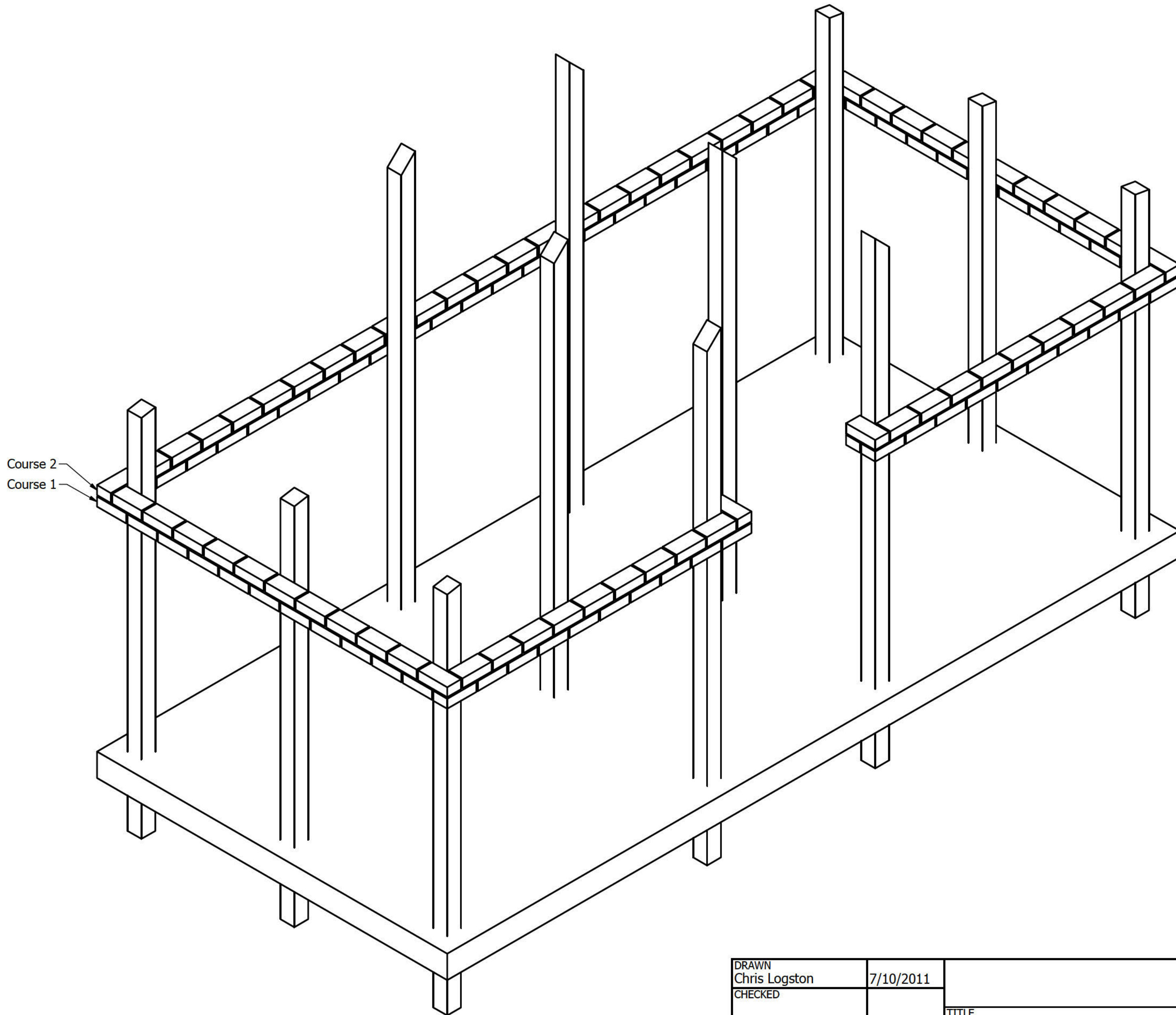
Parts List:
 Full Brick X393
 Half Brick X6

DRAWN Chris Logston	7/10/2011			
CHECKED		TITLE		
QA		Shed		
MFG				
APPROVED		SIZE	DWG NO	REV
		C	Construction Plans	
		SCALE	SHEET 20 OF 38	

PRODUCED BY AN AUTODESK EDUCATIONAL PRODUCT

PRODUCED BY AN AUTODESK EDUCATIONAL PRODUCT

Brick Tier 8



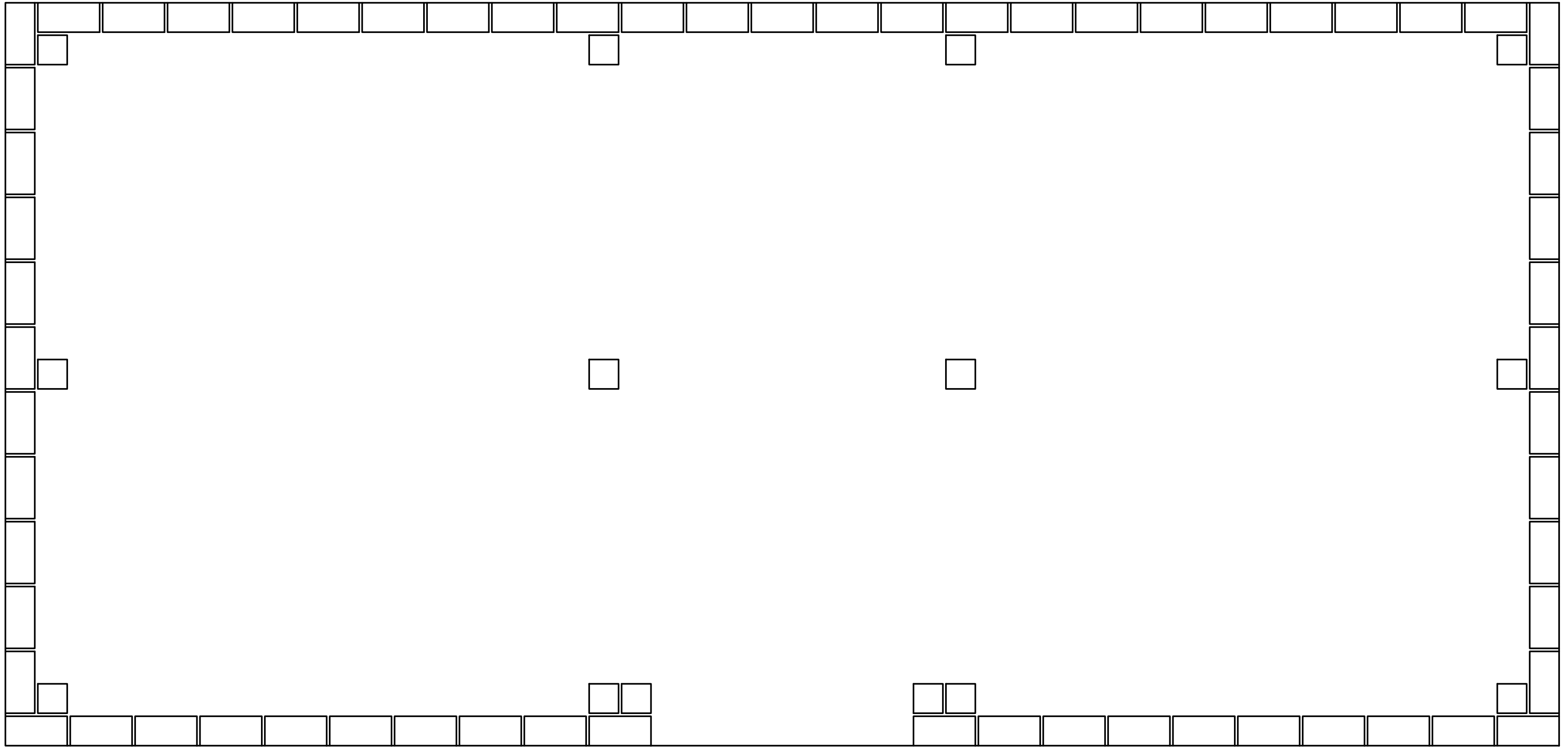
Parts List:
 Full Brick X131
 Half Brick X2

DRAWN Chris Logston	7/10/2011			
CHECKED		TITLE		
QA		Shed		
MFG				
APPROVED		SIZE	DWG NO	REV
		C	Construction Plans	
		SCALE	SHEET 21 OF 38	

PRODUCED BY AN AUTODESK EDUCATIONAL PRODUCT

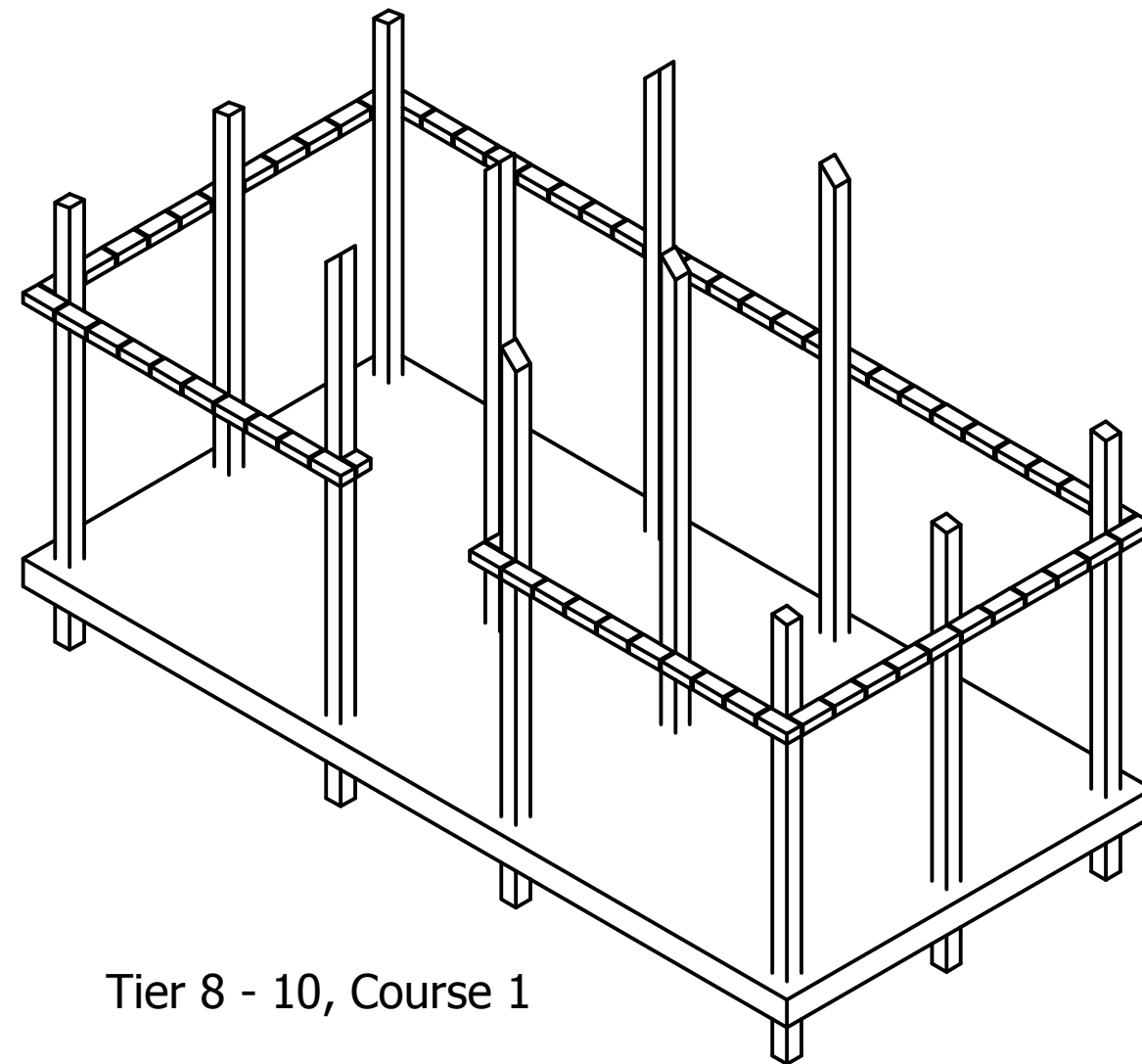
PRODUCED BY AN AUTODESK EDUCATIONAL PRODUCT

Tier 8-10, Course 1



PRODUCED BY AN AUTODESK EDUCATIONAL PRODUCT

PRODUCED BY AN AUTODESK EDUCATIONAL PRODUCT

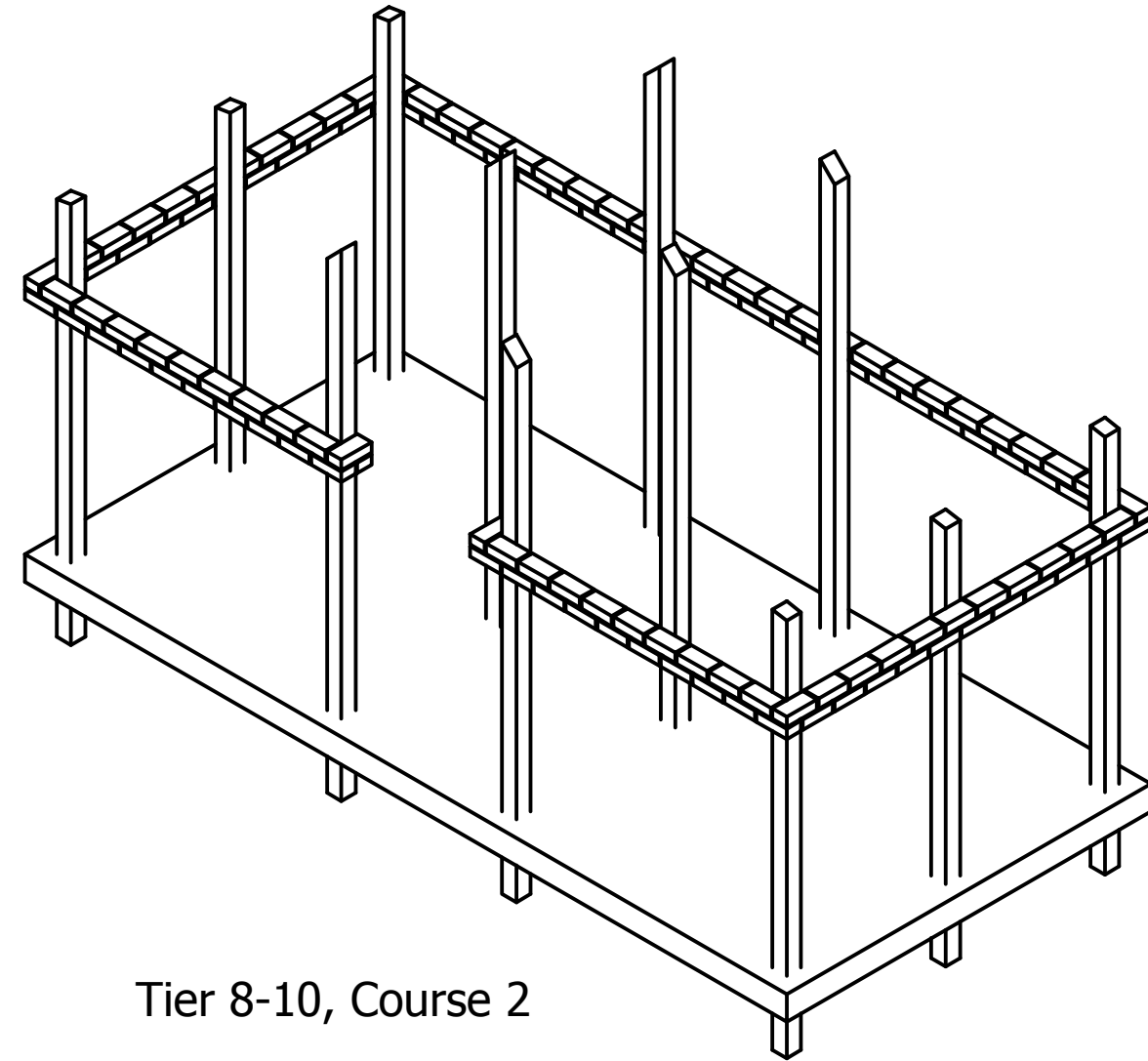
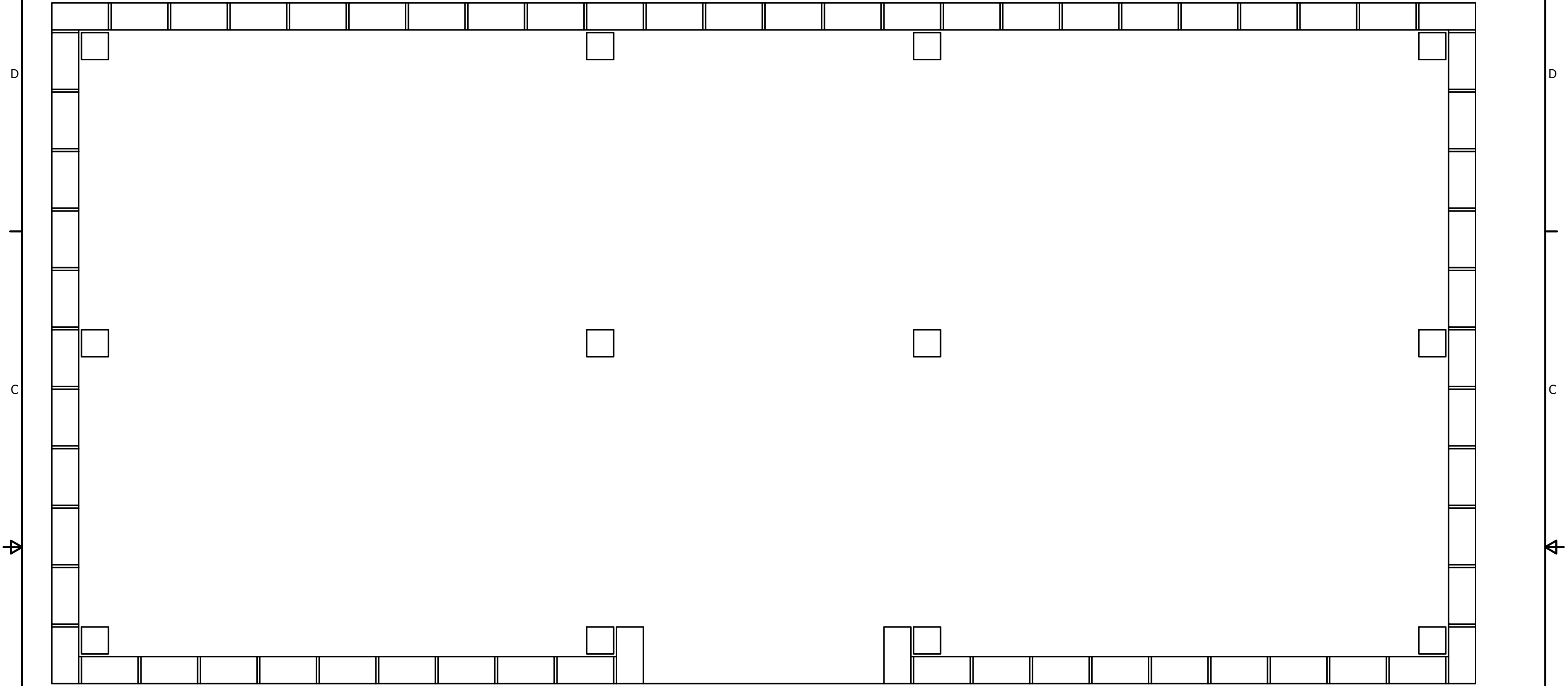


Tier 8 - 10, Course 1

Parts List:
 Full Brick X65
 Half Brick X2

DRAWN Chris Logston	7/10/2011			
CHECKED		TITLE		
QA		Shed		
MFG				
APPROVED		SIZE	DWG NO	REV
		C	Construction Plans	
		SCALE	SHEET 22 OF 38	

Tier 8-10, Course 2

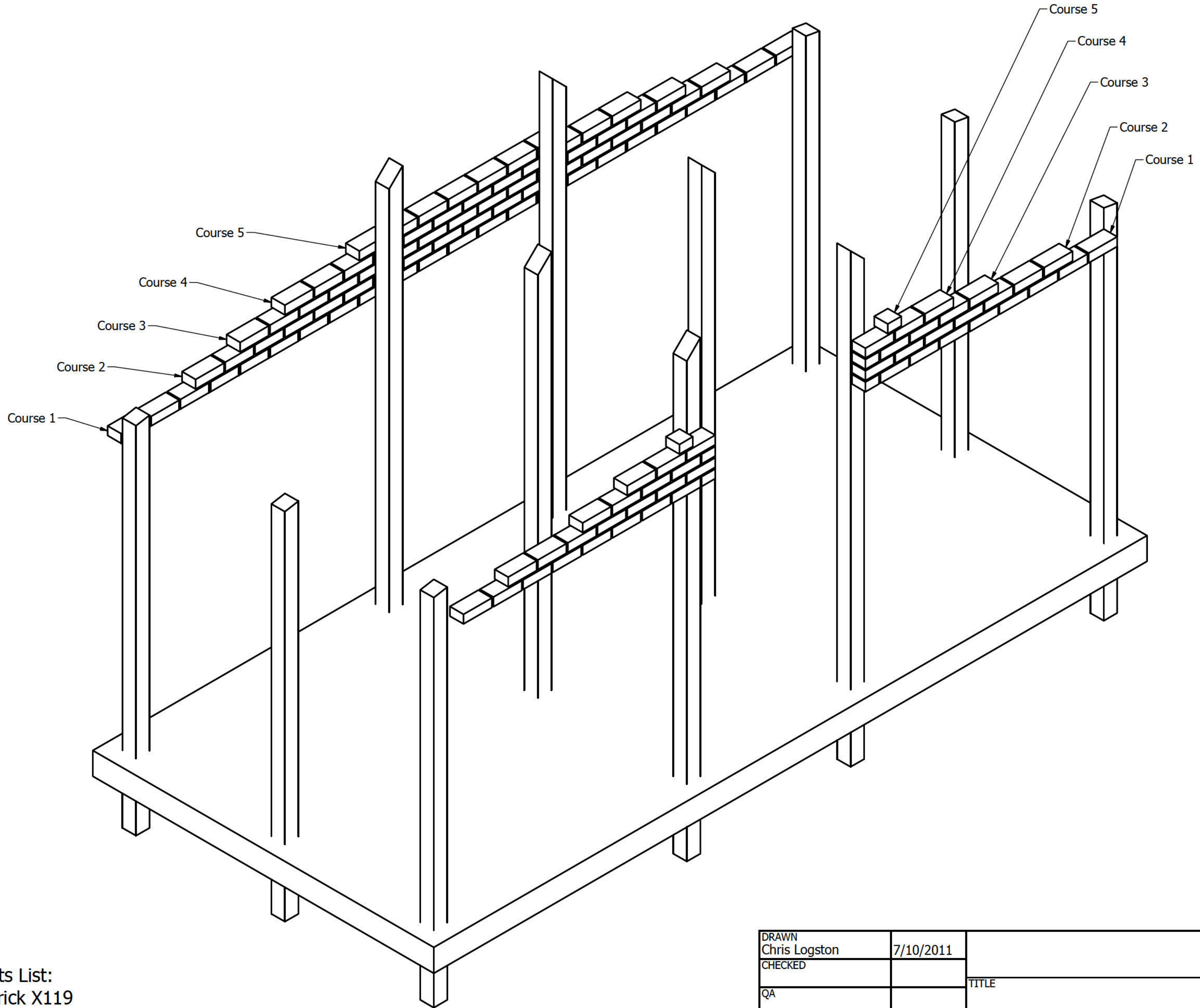


Parts List
Full Brick X66

DRAWN Chris Logston	7/10/2011			
CHECKED		TITLE		
QA		Shed		
MFG				
APPROVED				
		SIZE C	DWG NO Construction Plans	REV
		SCALE	SHEET 23 OF 38	

Tier 8-10, Course 2

Brick Tier 11



Parts List:
 Full Brick X119
 Half Brick X6

DRAWN Chris Logston	7/10/2011			
CHECKED		TITLE		
QA		Shed		
MFG				
APPROVED		SIZE	DWG NO	REV
		C	Construction Plans	
		SCALE	SHEET 24 OF 38	

PRODUCED BY AN AUTODESK EDUCATIONAL PRODUCT

PRODUCED BY AN AUTODESK EDUCATIONAL PRODUCT

Tier 11

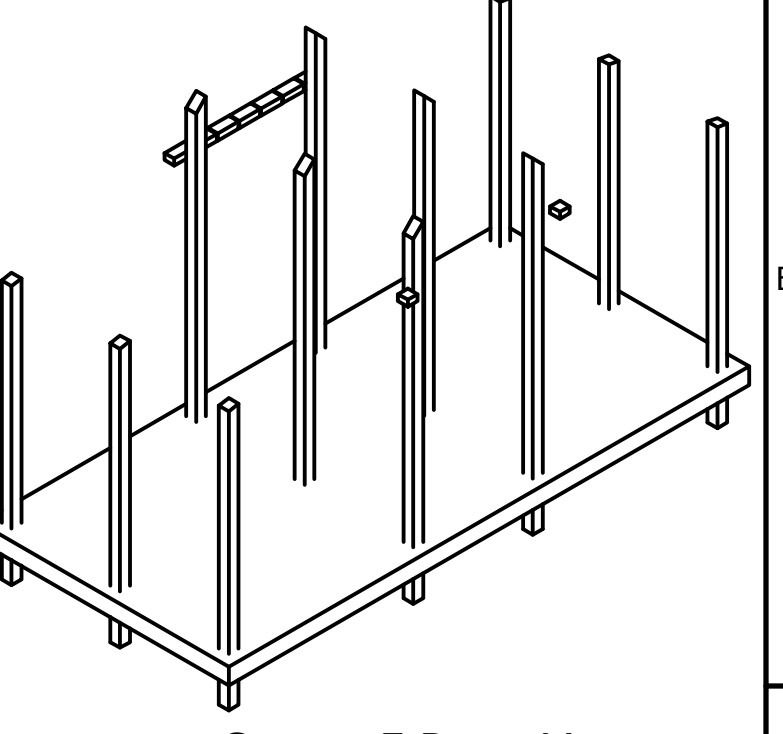
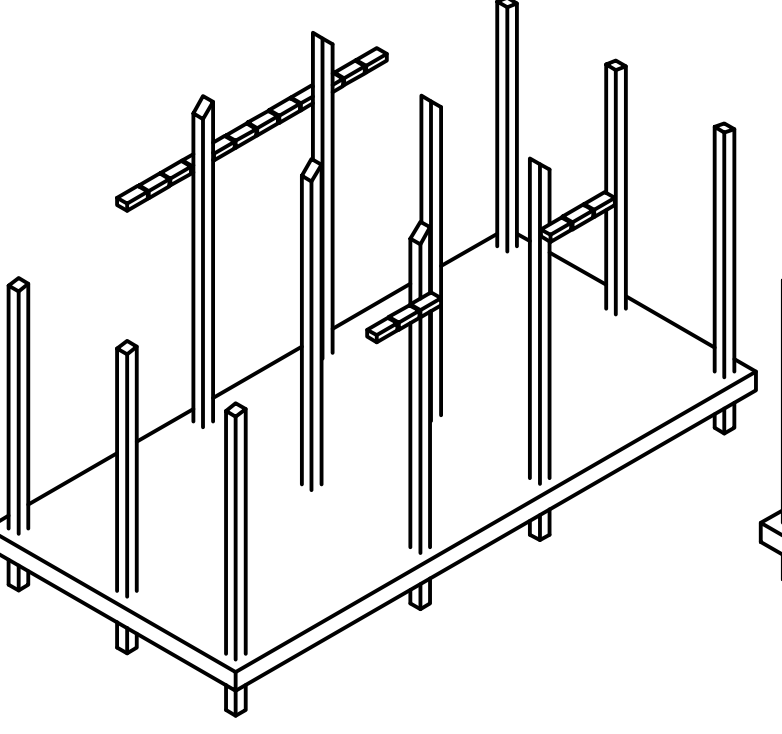
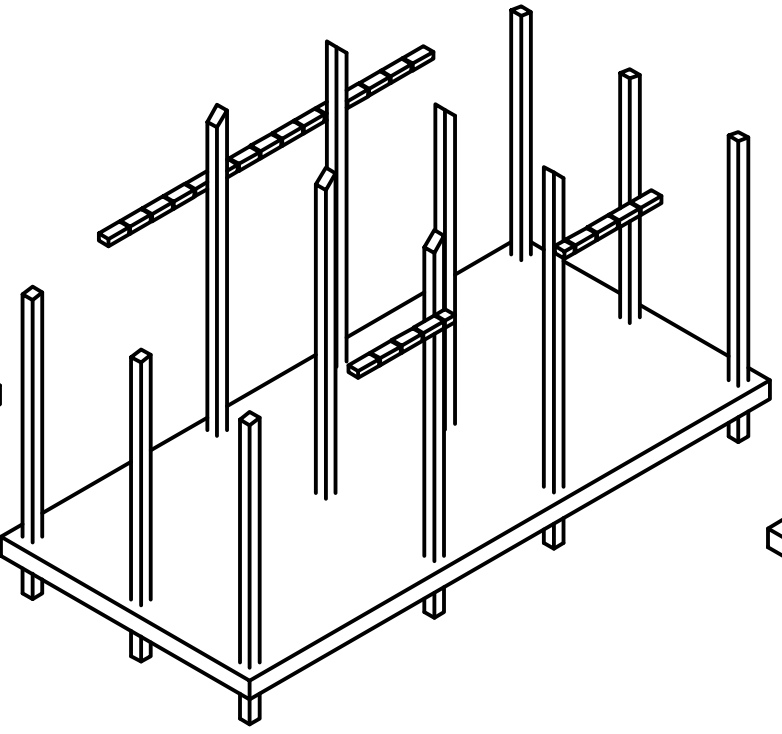
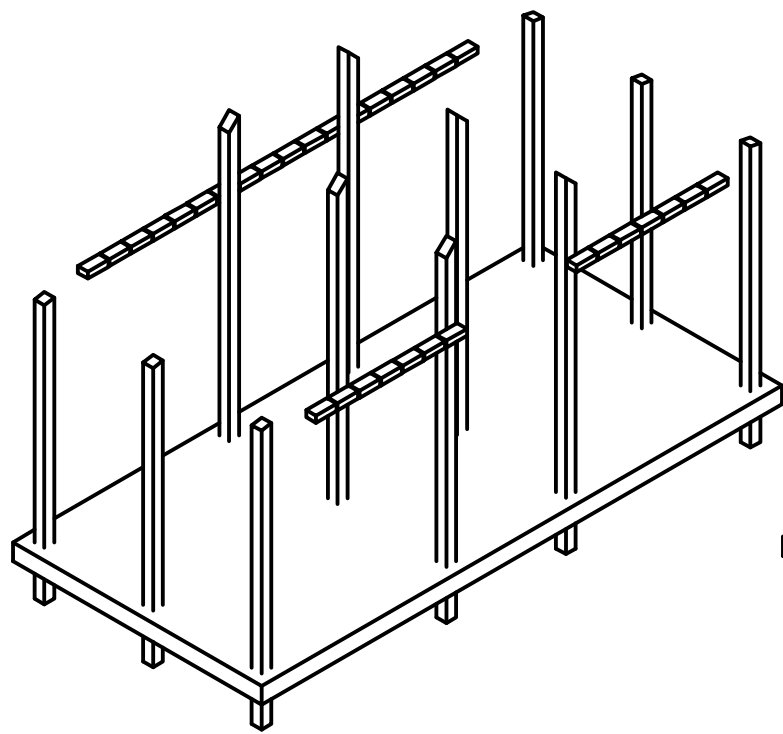
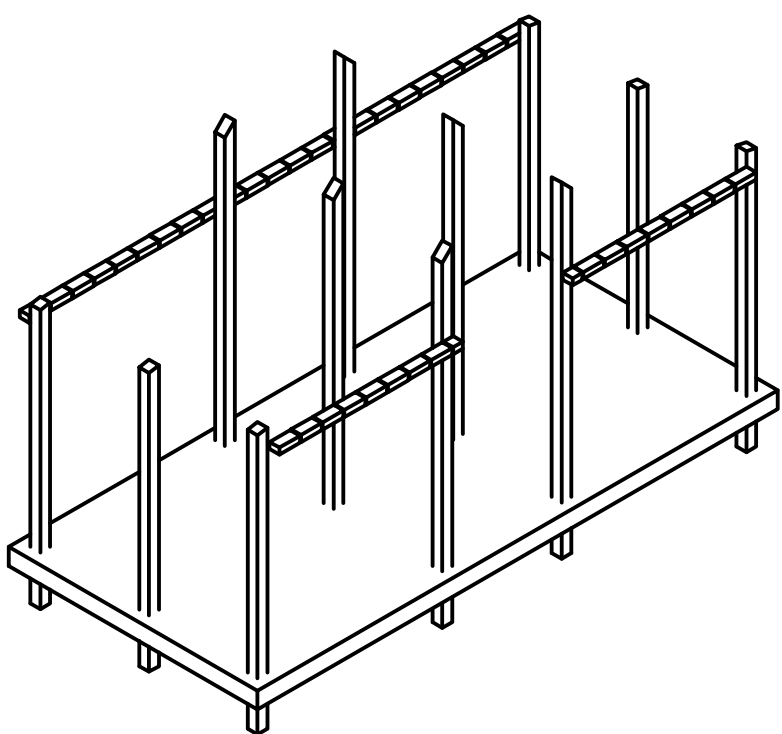
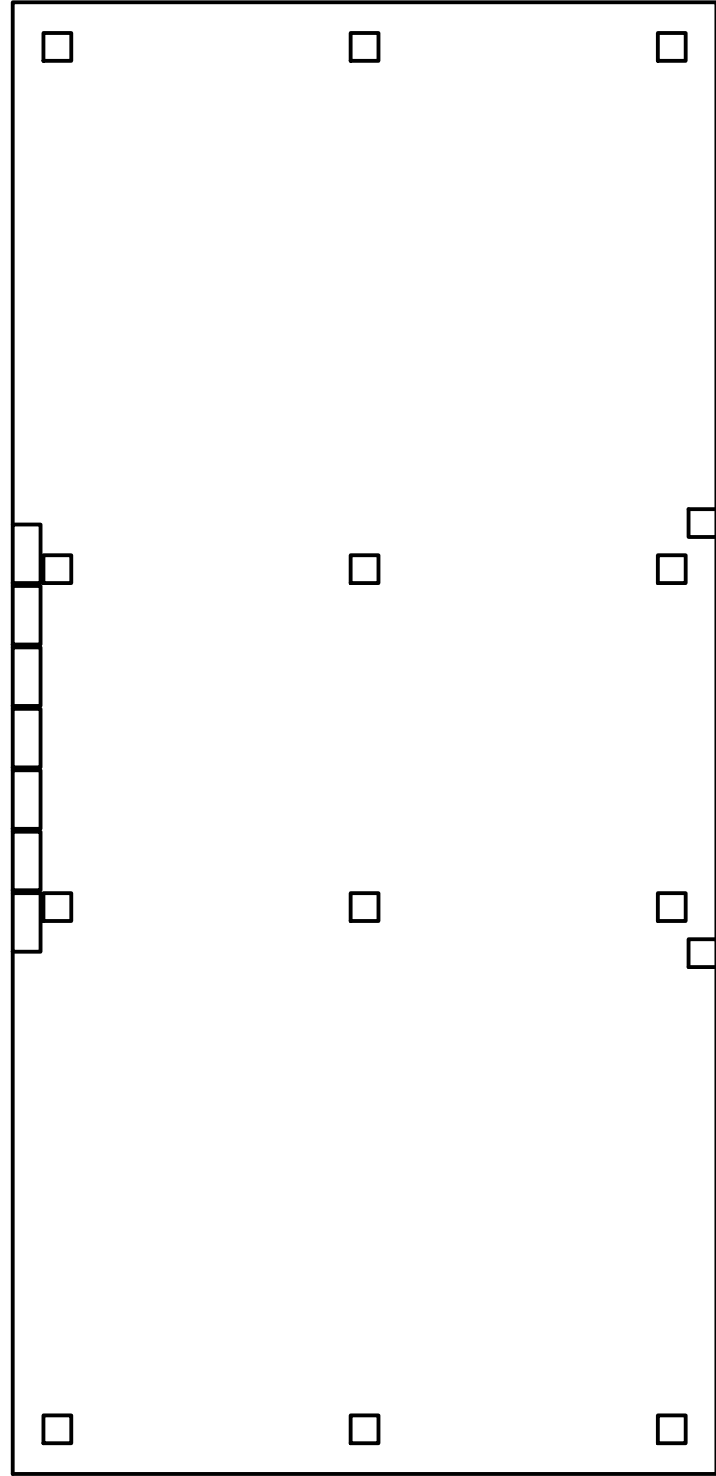
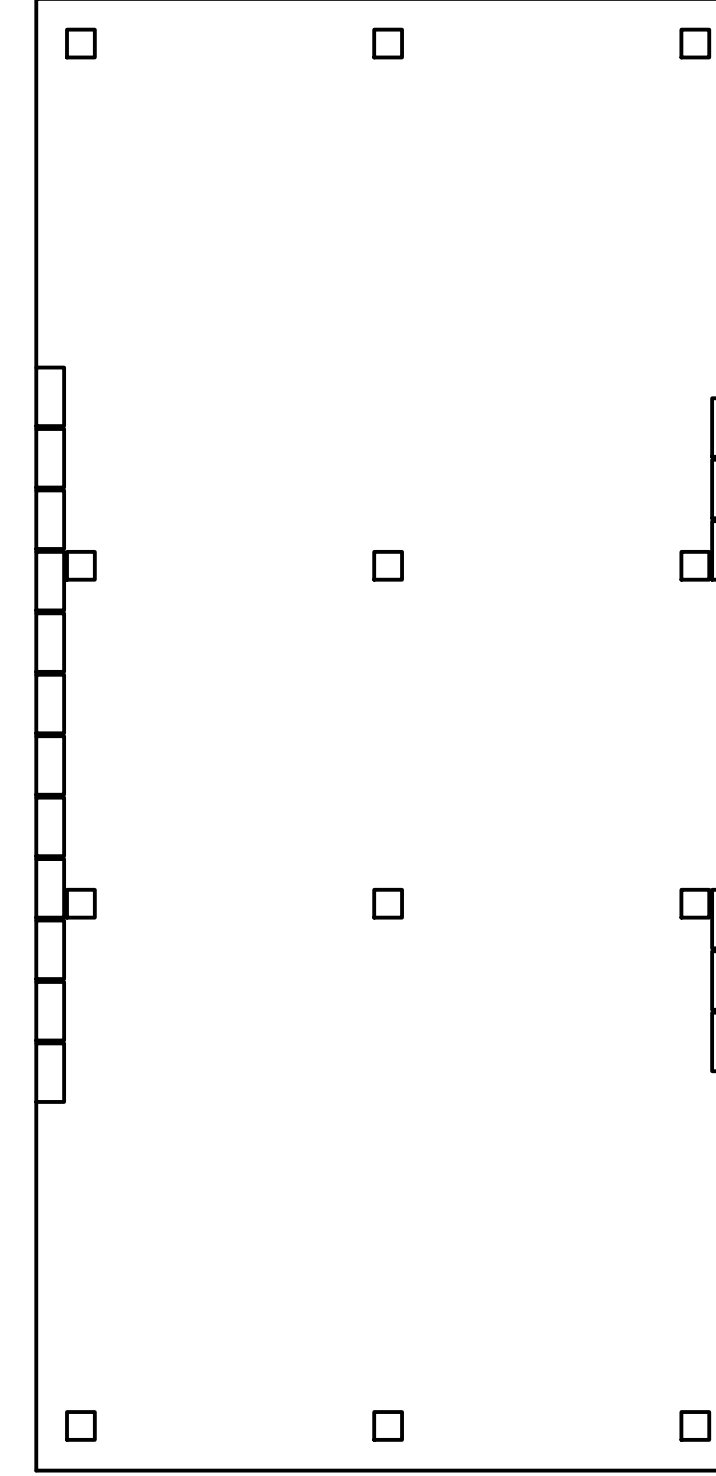
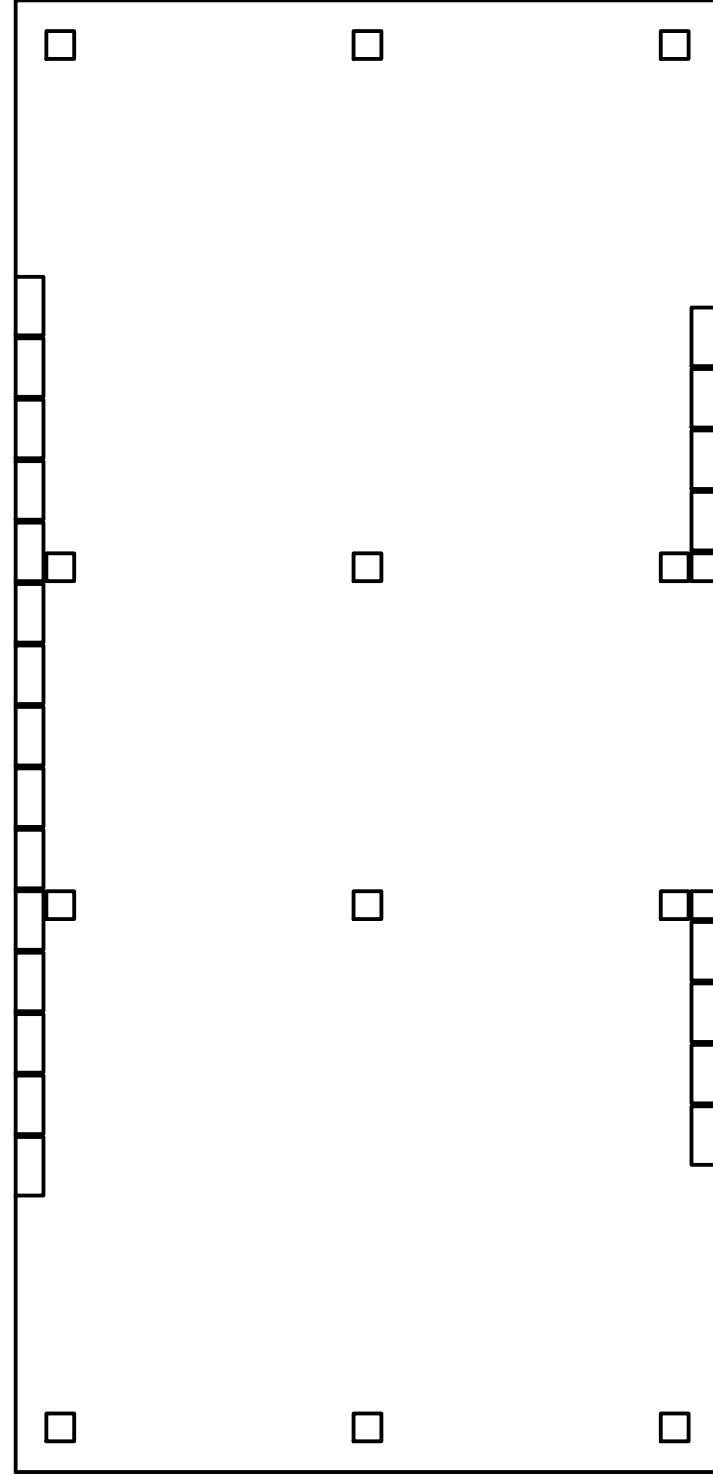
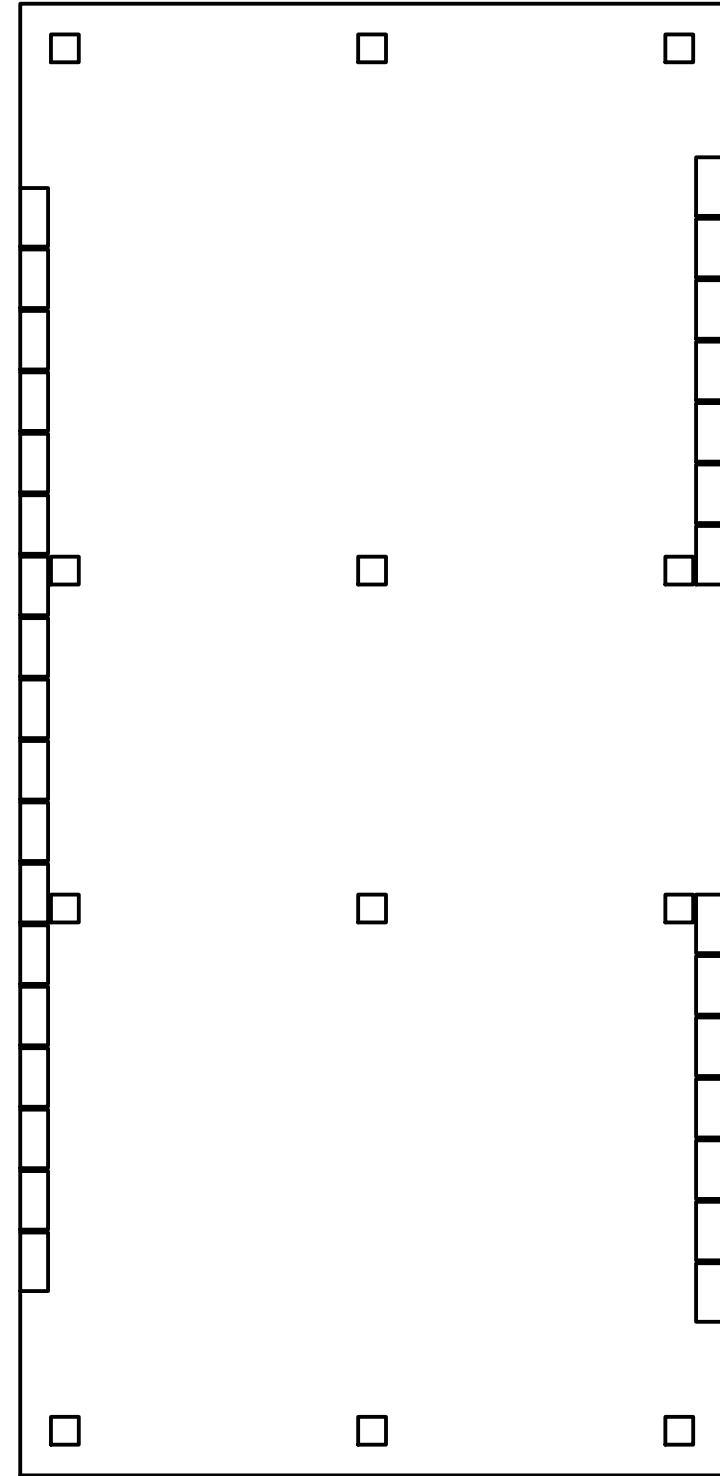
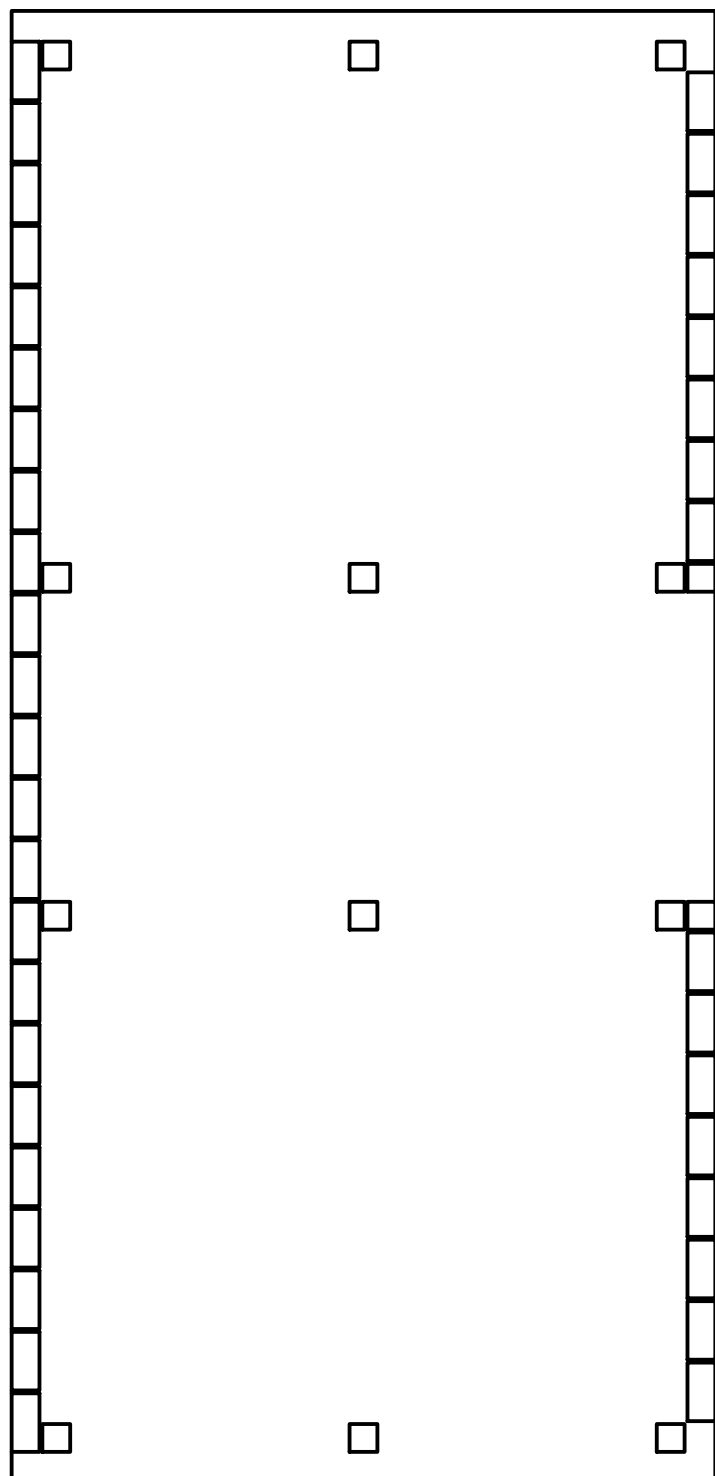
Course 1

Course 2

Course 3

Course 4

Course 5



Course 1 Parts List:
 Full Brick X39
 Half Brick X2

Course 2 Parts List:
 Full Brick X32

Course 3 Parts List:
 Full Brick X23
 Half Brick X2

Course 4 Parts List:
 Full Brick X18

Course 5 Parts List:
 Full Brick X7
 Half Brick X2

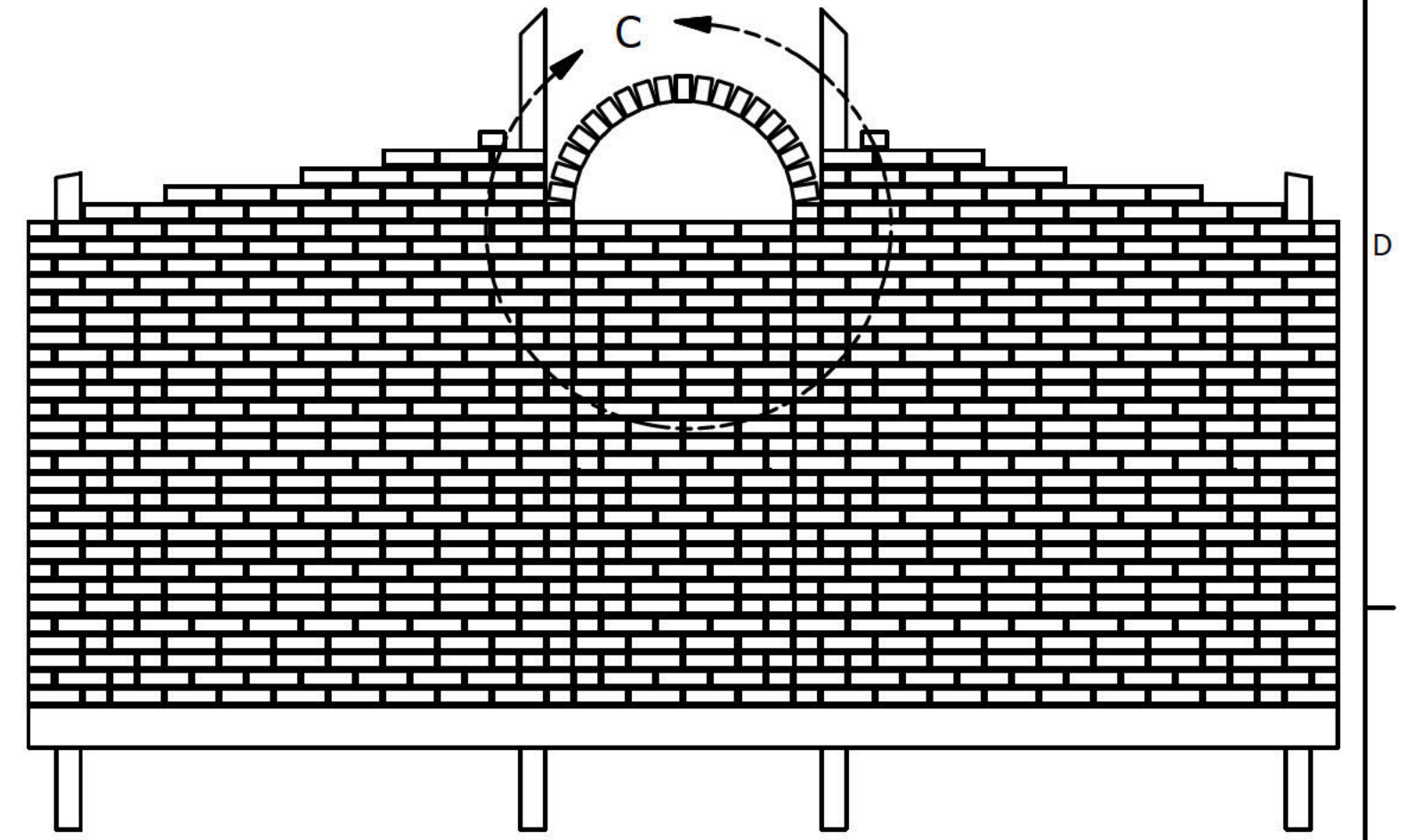
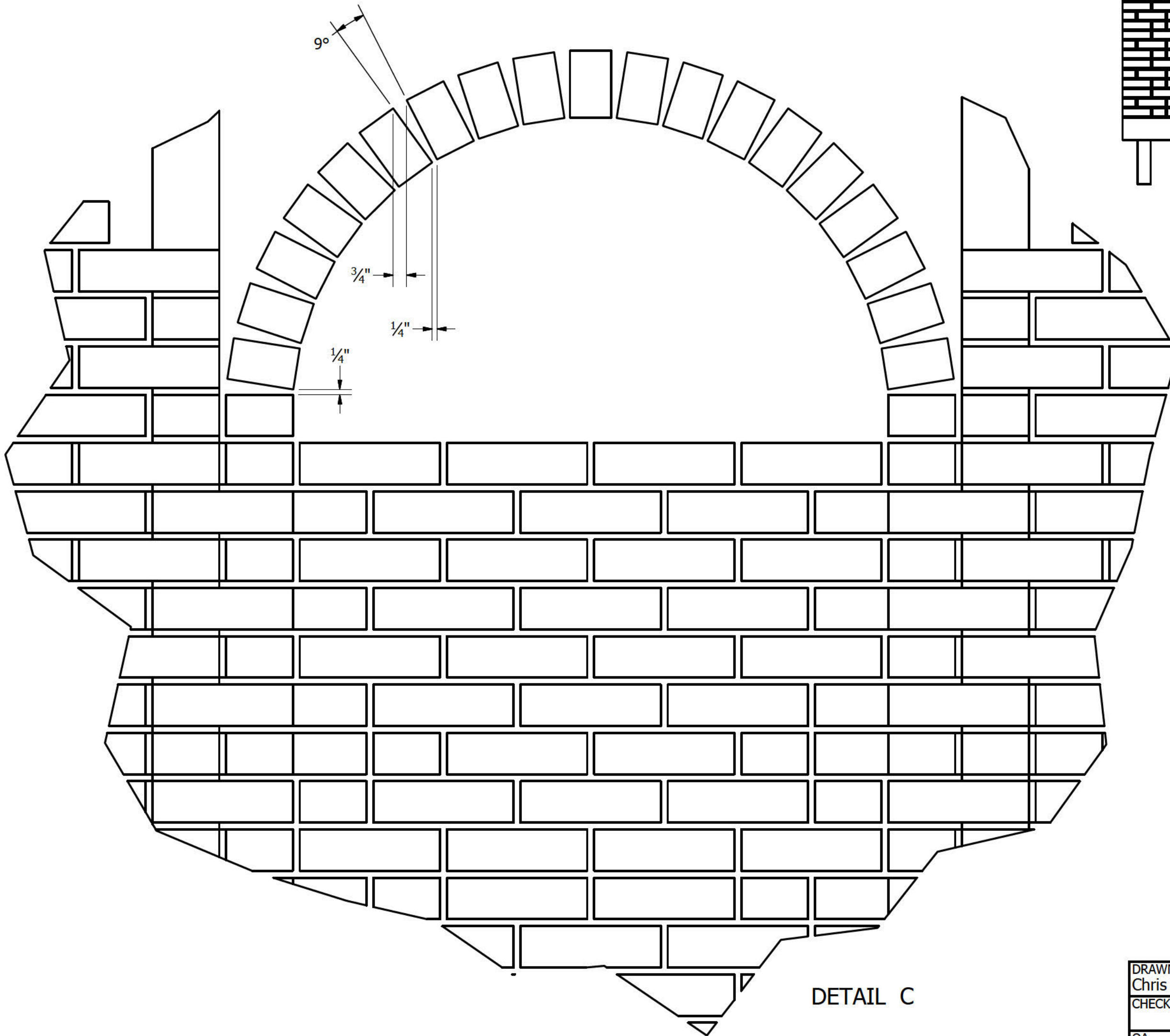
Parts List:
 Full Brick X119
 Half Brick X6

DRAWN Chris Logston	7/10/2011	TITLE		
CHECKED		Shed		
QA		SIZE	DWG NO	REV
MFG		C	Construction Plans	
APPROVED		SCALE	SHEET 25 OF 38	

PRODUCED BY AN AUTODESK EDUCATIONAL PRODUCT

PRODUCED BY AN AUTODESK EDUCATIONAL PRODUCT

Door Way Arch



DETAIL C

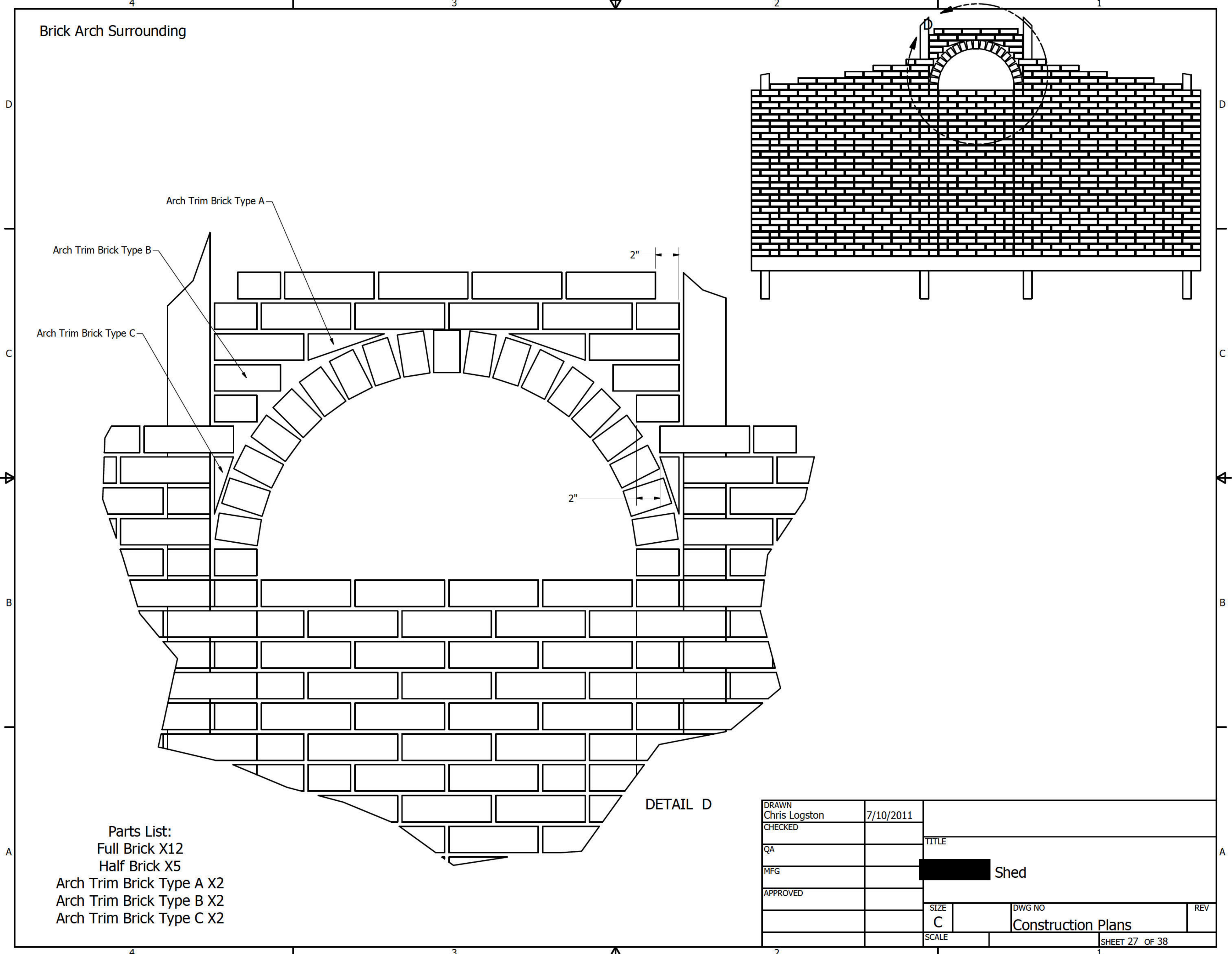
Parts List:
Full Brick X21

DRAWN Chris Logston	7/10/2011	TITLE		
CHECKED		Shed		
QA		SIZE	DWG NO	REV
MFG		C	Construction Plans	
APPROVED		SCALE	SHEET 26 OF 38	

PRODUCED BY AN AUTODESK EDUCATIONAL PRODUCT

PRODUCED BY AN AUTODESK EDUCATIONAL PRODUCT

Brick Arch Surrounding



- Parts List:
 Full Brick X12
 Half Brick X5
 Arch Trim Brick Type A X2
 Arch Trim Brick Type B X2
 Arch Trim Brick Type C X2

DETAIL D

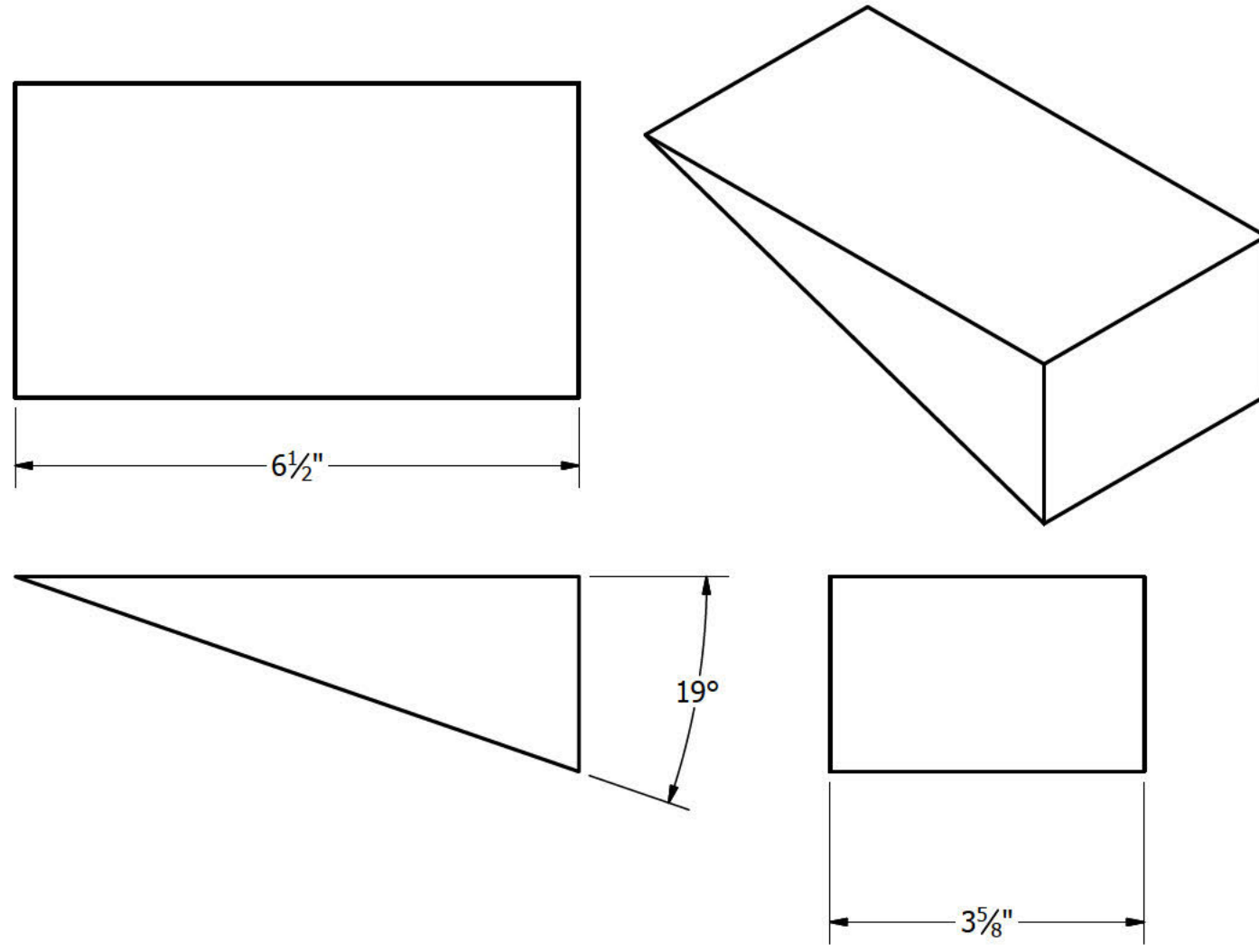
DRAWN Chris Logston	7/10/2011	TITLE		
CHECKED		Shed		
QA		SIZE C	DWG NO	REV
MFG		Construction Plans		
APPROVED		SCALE	SHEET 27 OF 38	

PRODUCED BY AN AUTODESK EDUCATIONAL PRODUCT

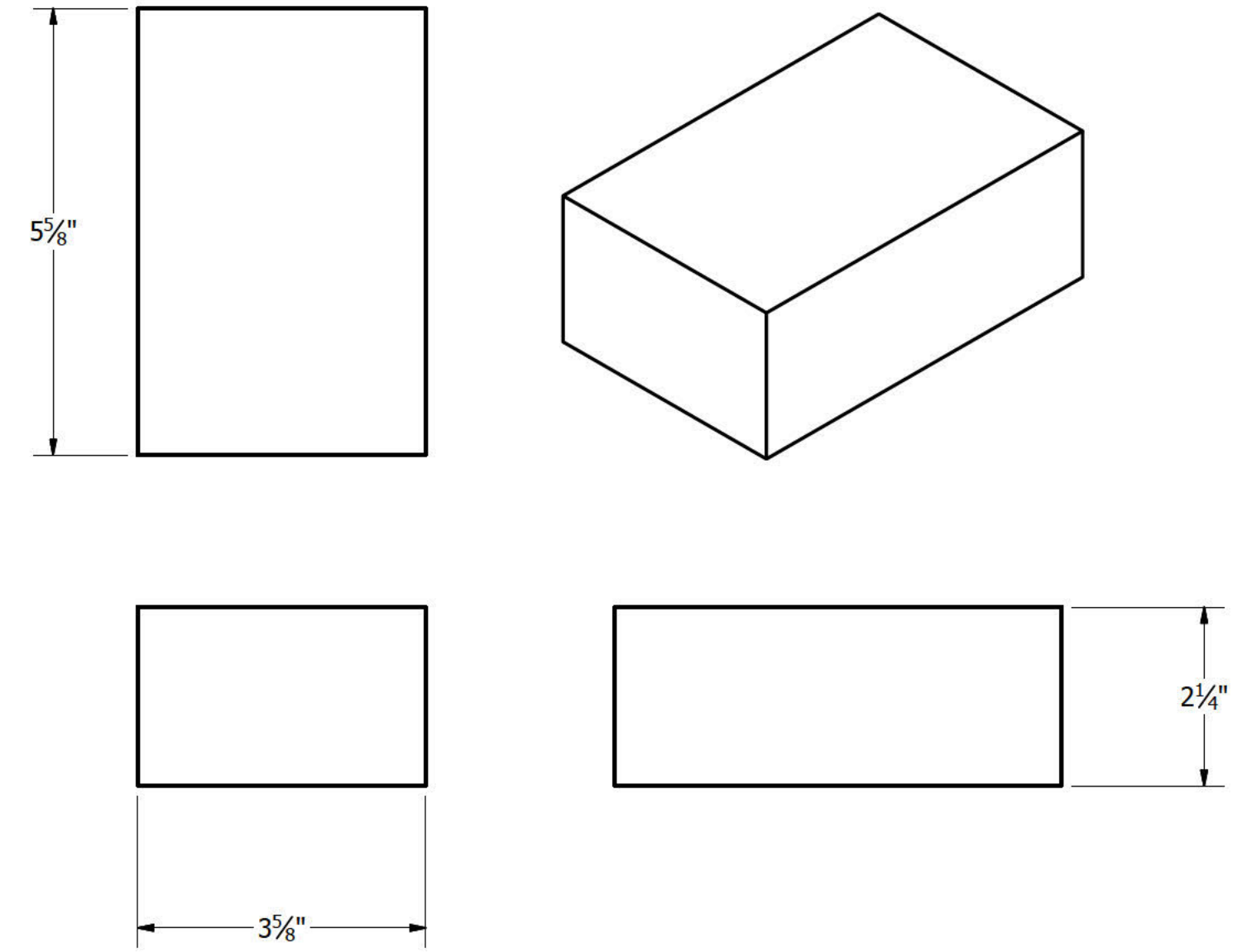
PRODUCED BY AN AUTODESK EDUCATIONAL PRODUCT

Arch Trim Brick

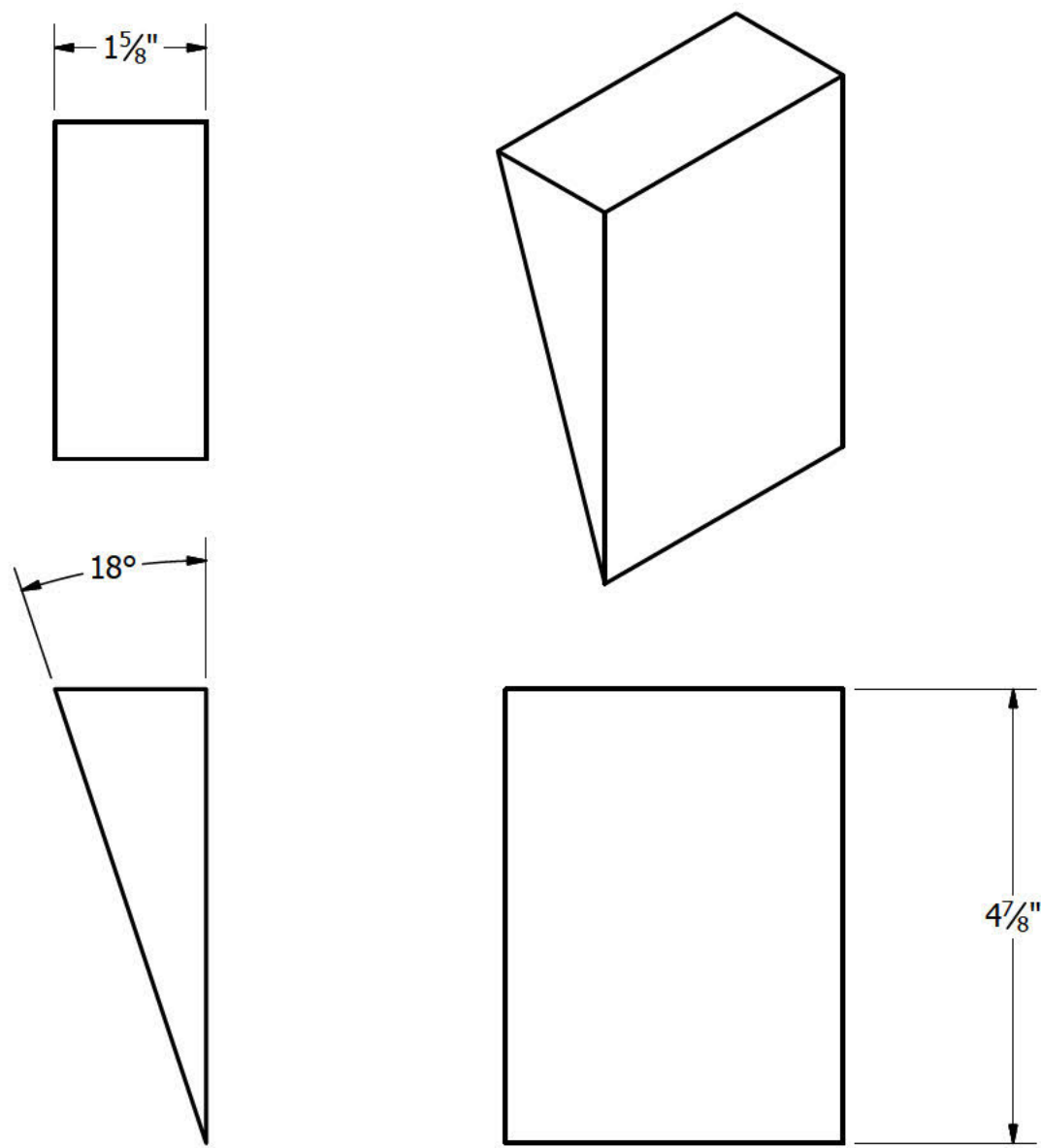
Arch Trim Brick Type A



Arch Trim Brick Type B



Arch Trim Brick Type C

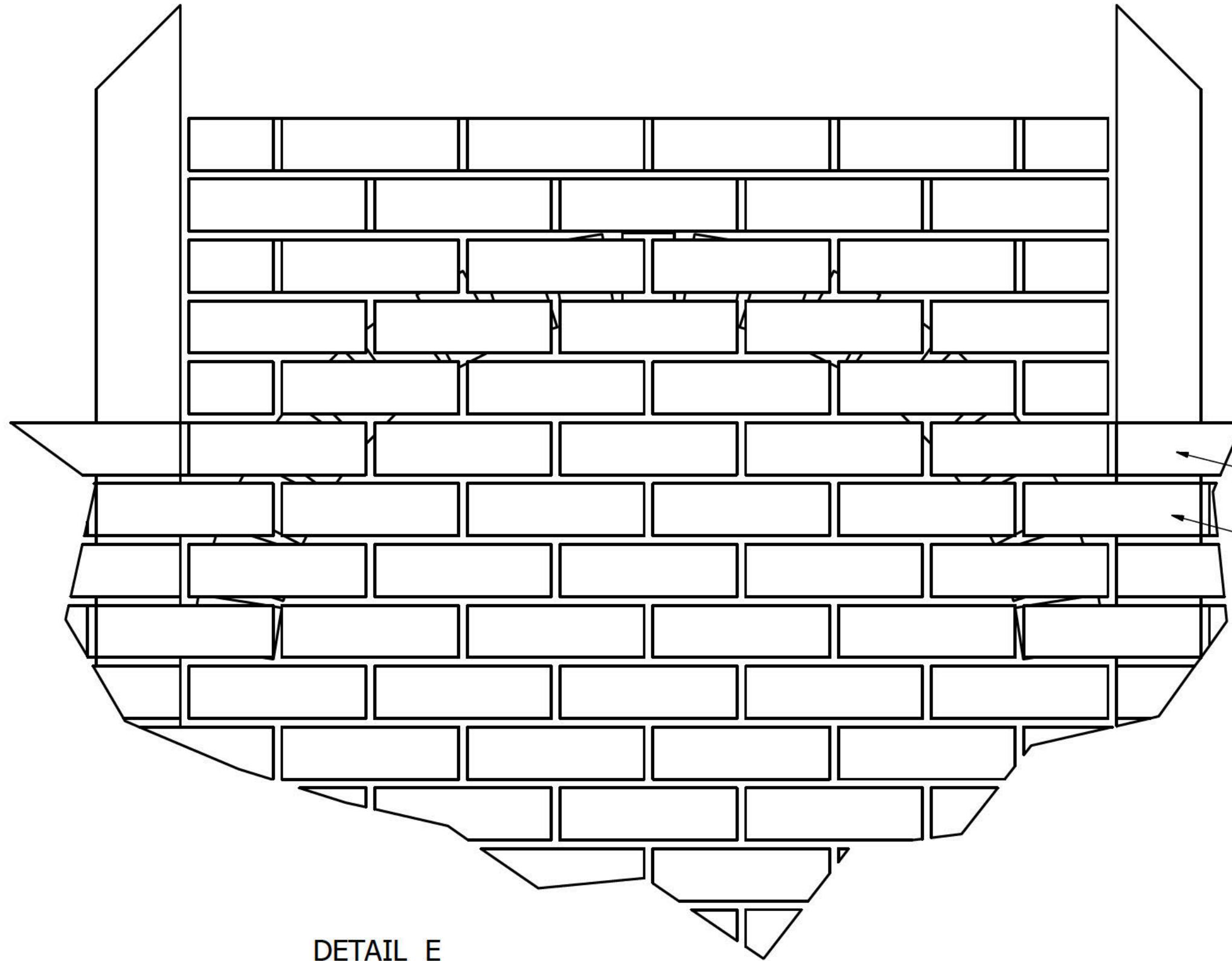


DRAWN Chris Logston	7/10/2011	TITLE		
CHECKED		Shed		
QA		SIZE C	DWG NO Construction Plans	REV
MFG		SCALE	SHEET 28 OF 38	
APPROVED				

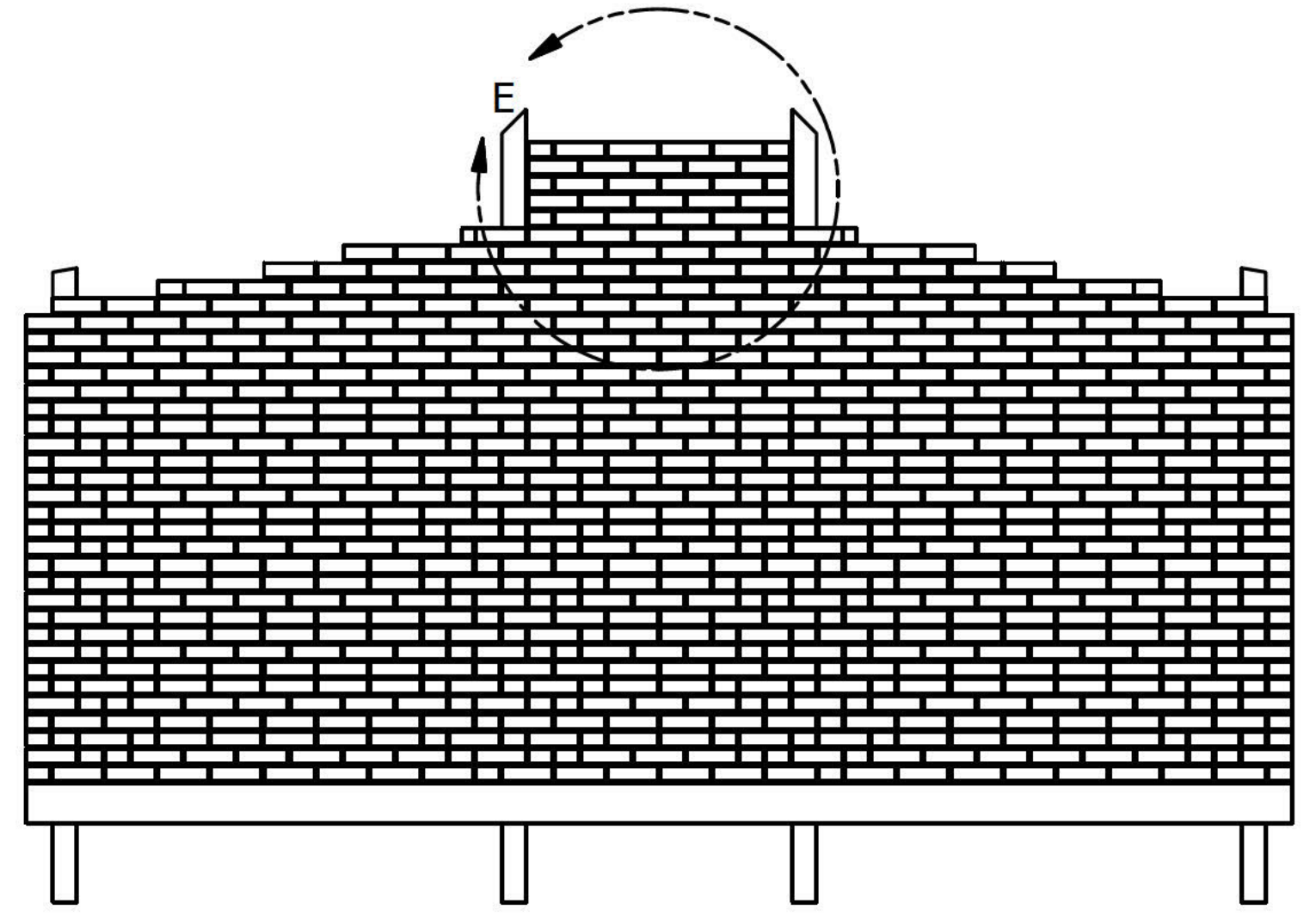
PRODUCED BY AN AUTODESK EDUCATIONAL PRODUCT

PRODUCED BY AN AUTODESK EDUCATIONAL PRODUCT

Teir 12 (Back Wall)



DETAIL E

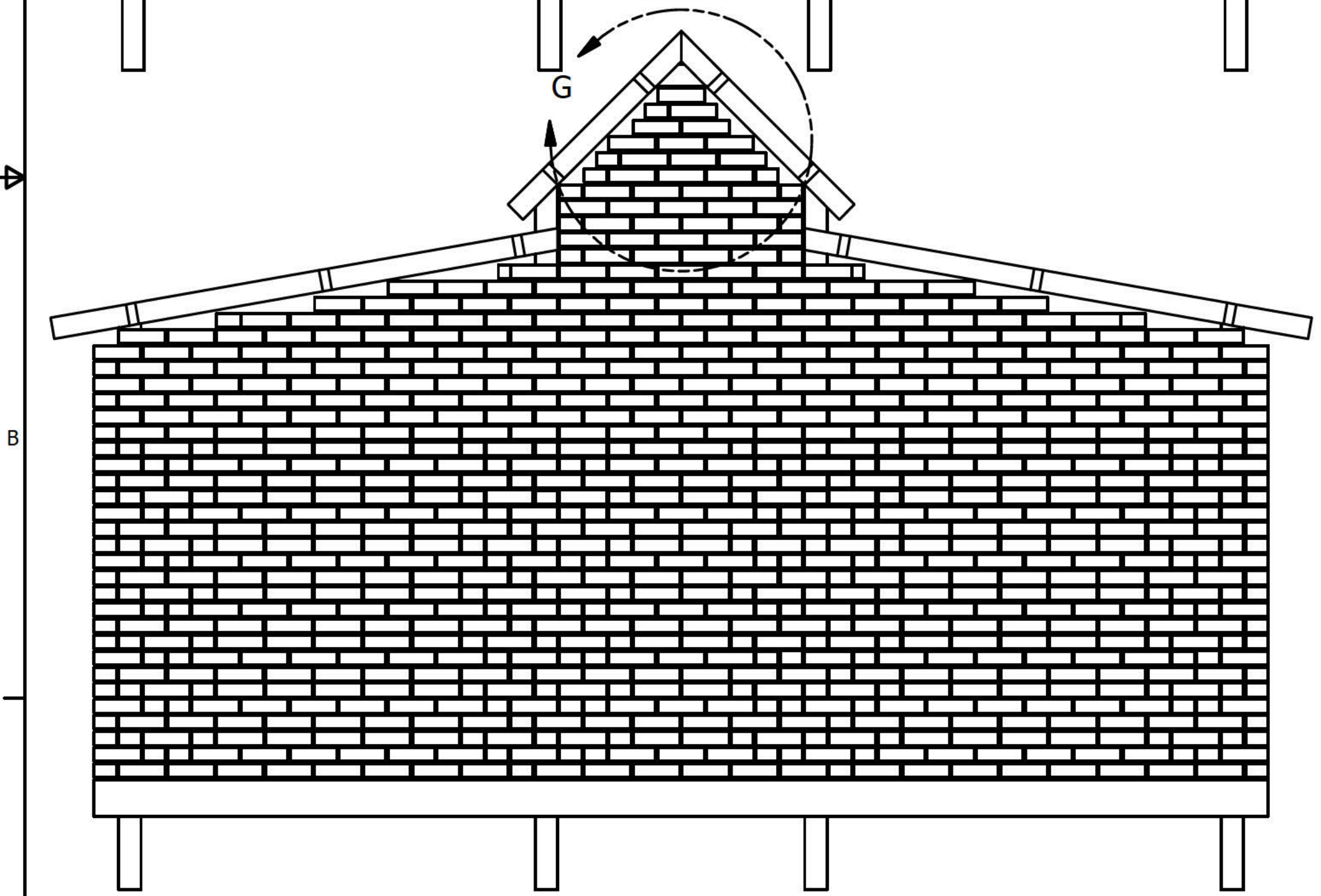
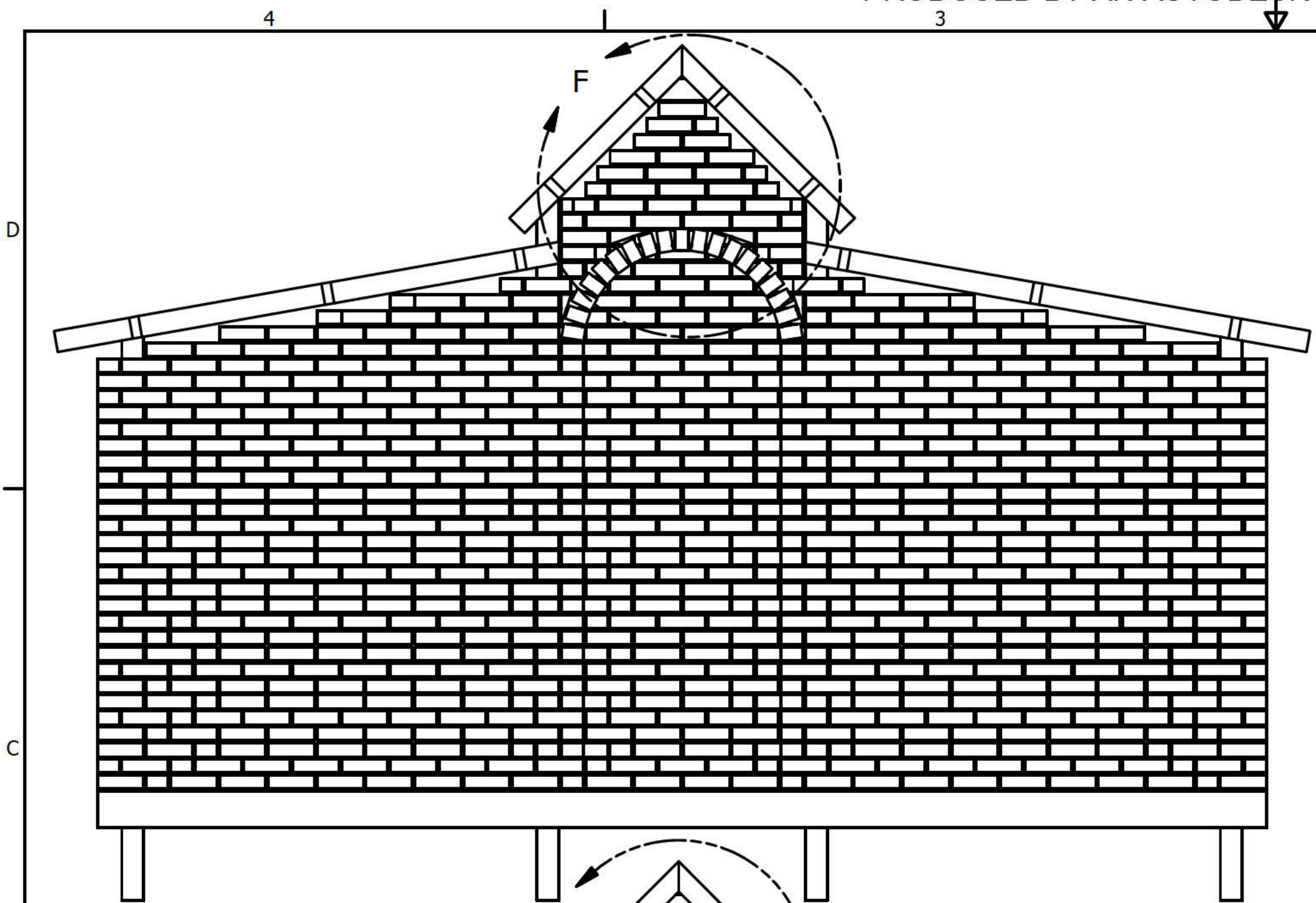


Tier 11 Course 5

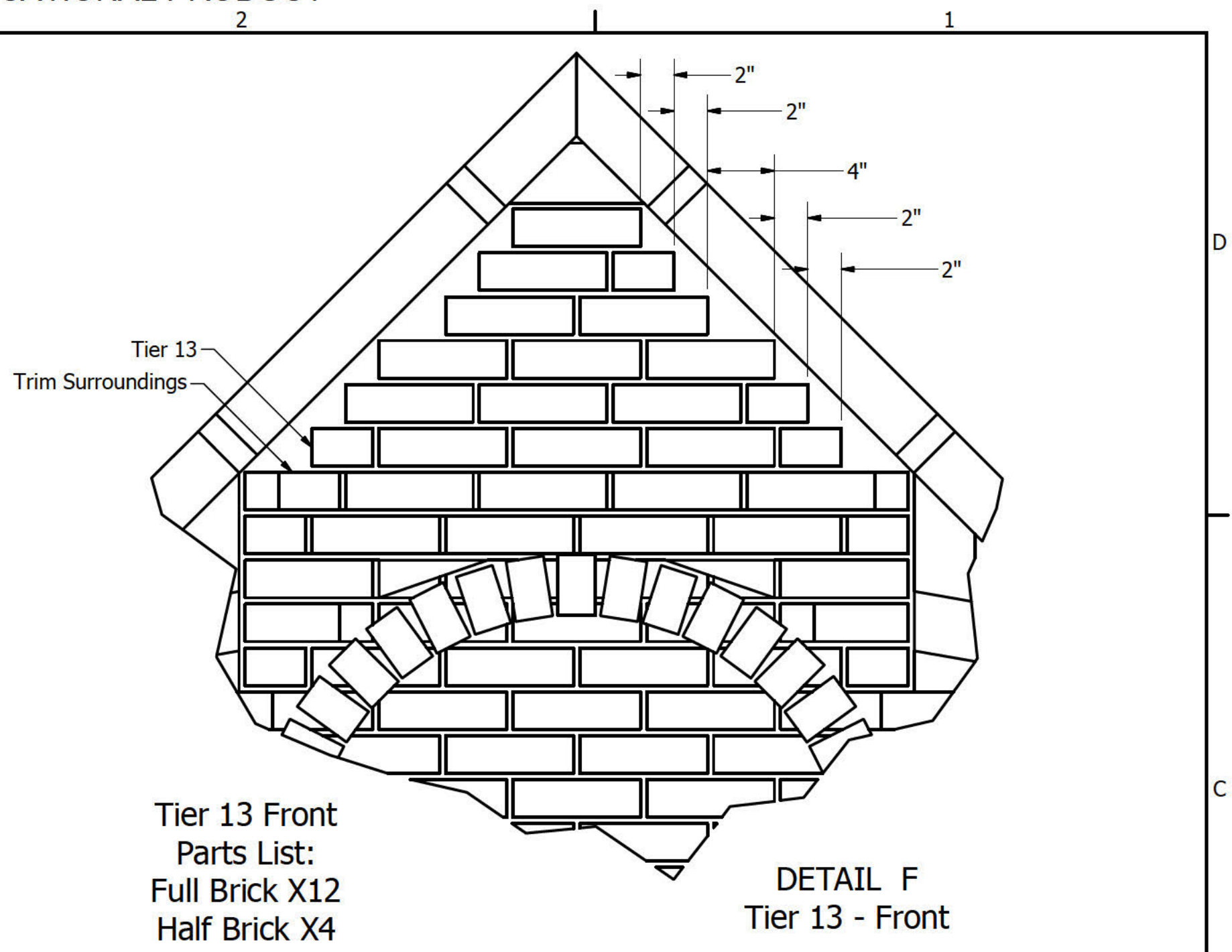
Tier 11 Course 4

Parts List:
 Full Brick X22
 Half Brick X6

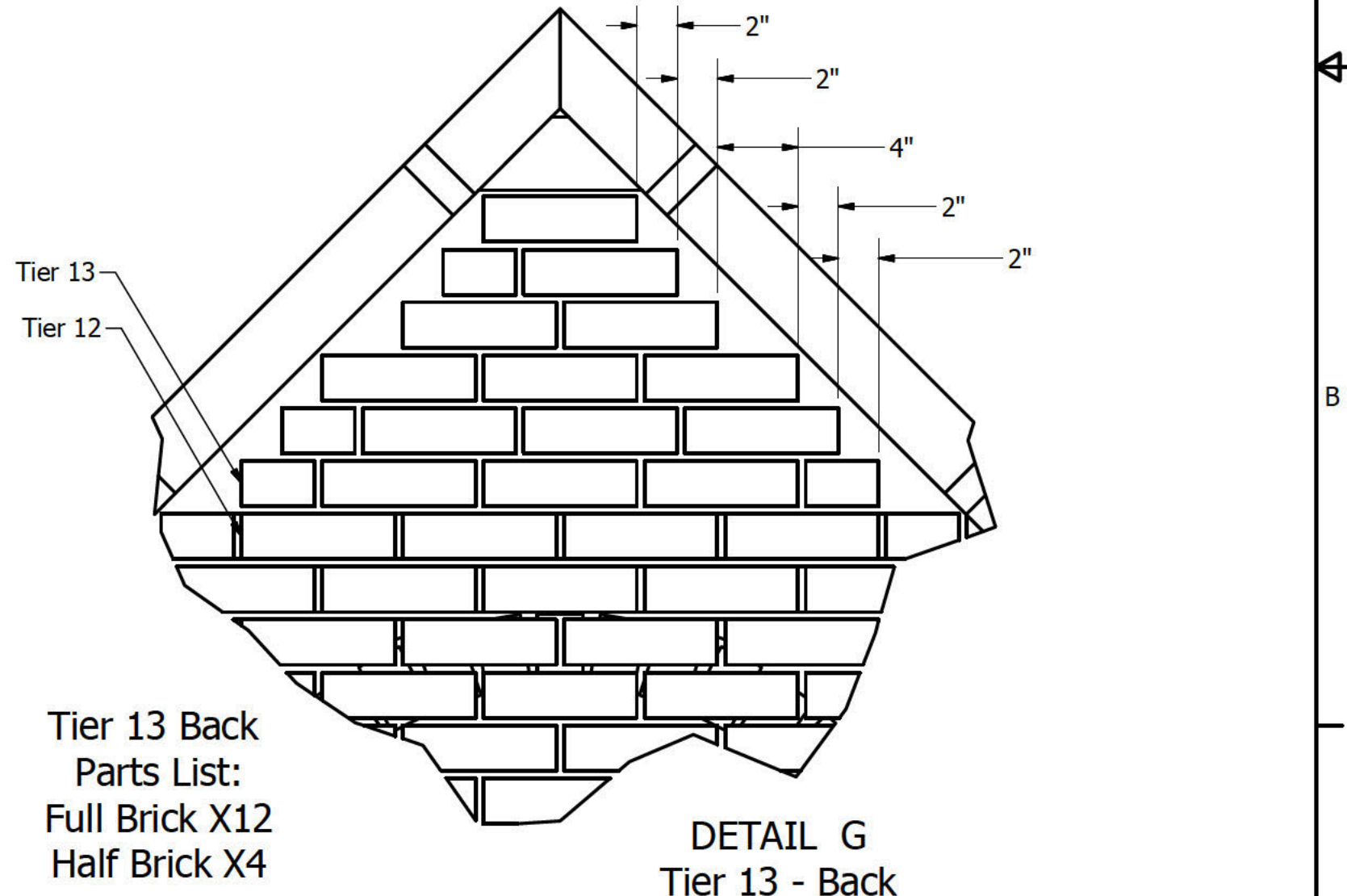
DRAWN Chris Logston	7/10/2011	TITLE		
CHECKED		Shed		
QA		SIZE	DWG NO	REV
MFG		C	Construction Plans	
APPROVED		SCALE	SHEET 29 OF 38	



Tier 13 Parts List:
Full Brick X24
Half Brick X8



Tier 13 Front
Parts List:
Full Brick X12
Half Brick X4



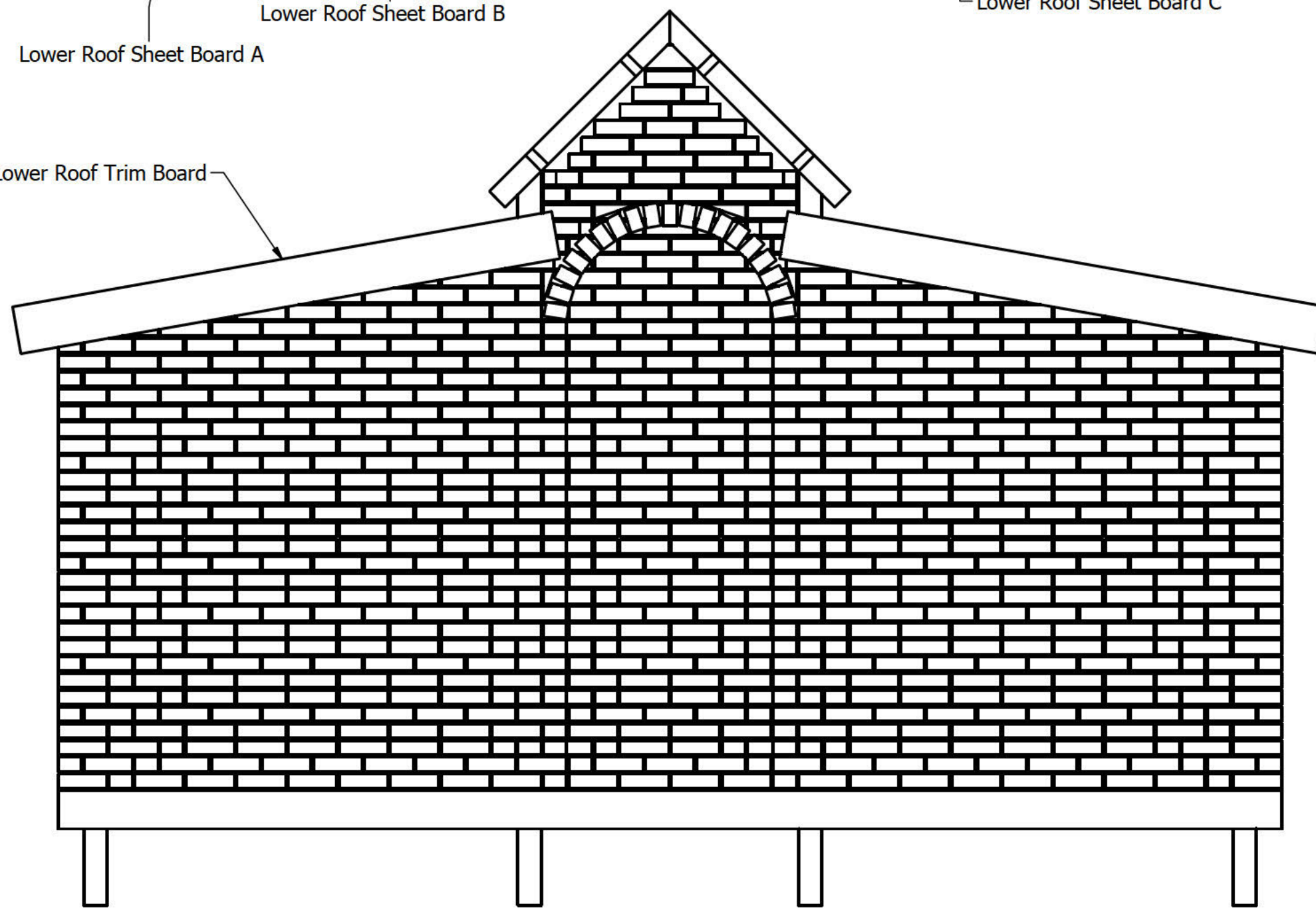
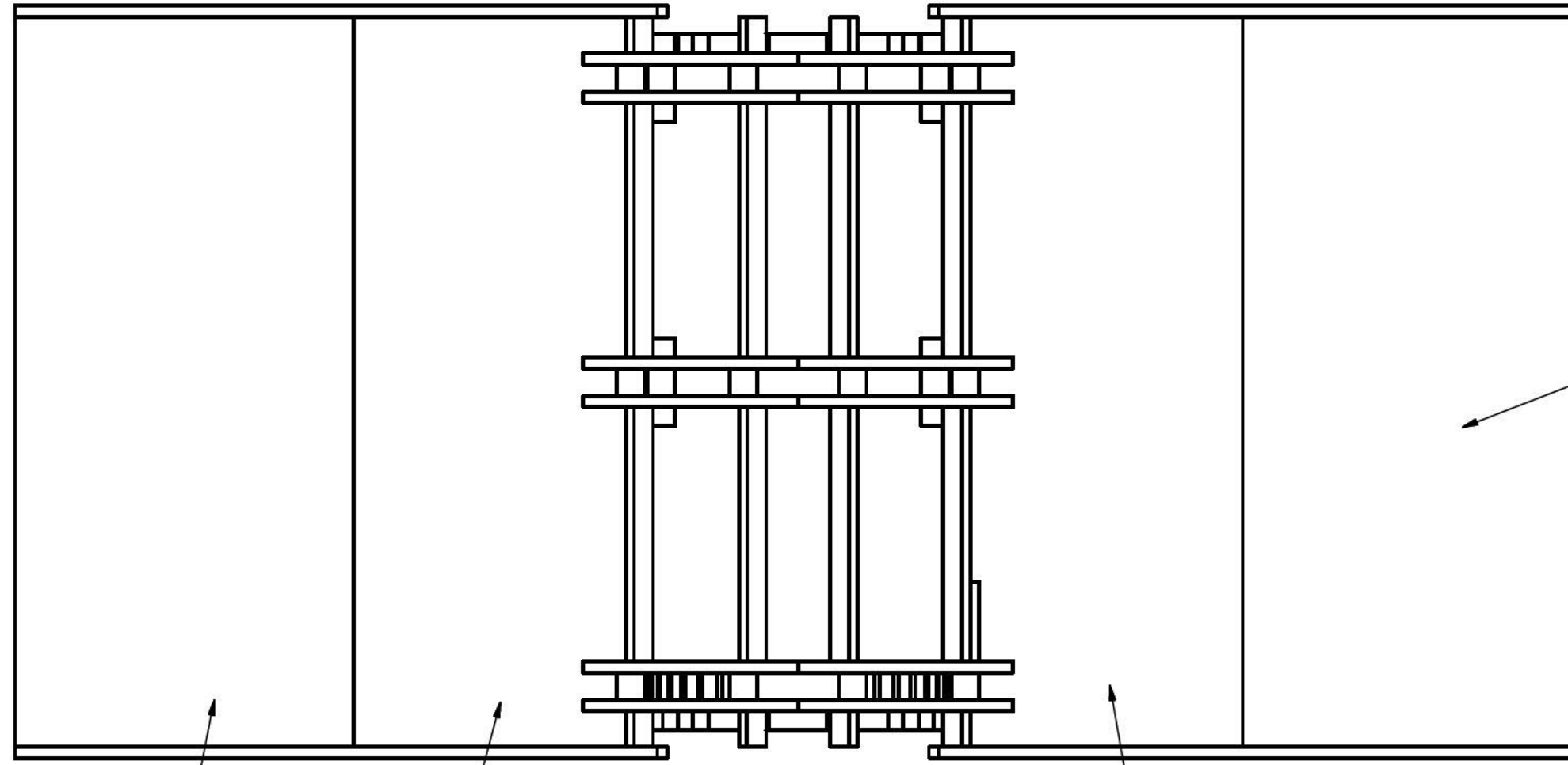
Tier 13 Back
Parts List:
Full Brick X12
Half Brick X4

DRAWN Chris Logston	7/10/2011	TITLE		
CHECKED		Shed		
QA		SIZE C	DWG NO Construction Plans	REV
MFG		SCALE	SHEET 30 OF 38	
APPROVED				

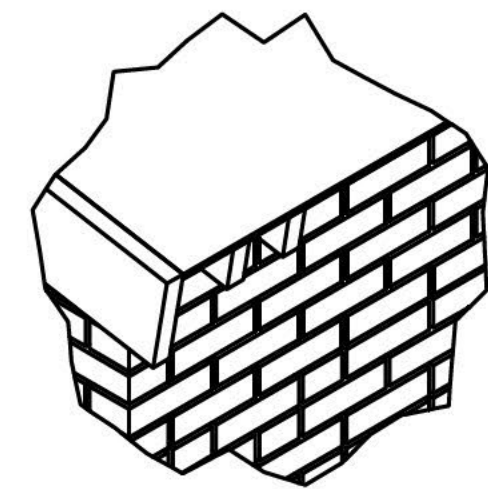
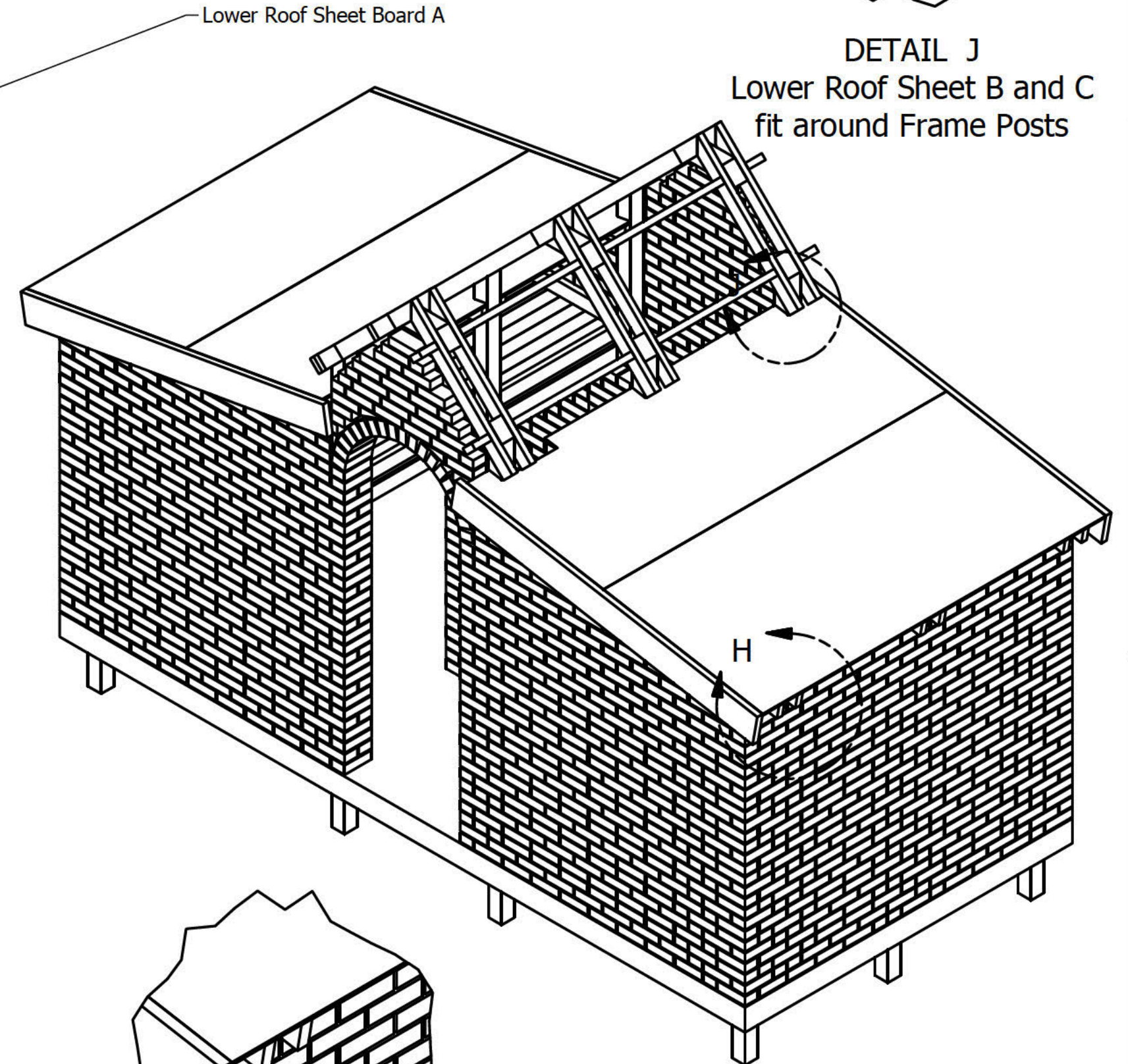
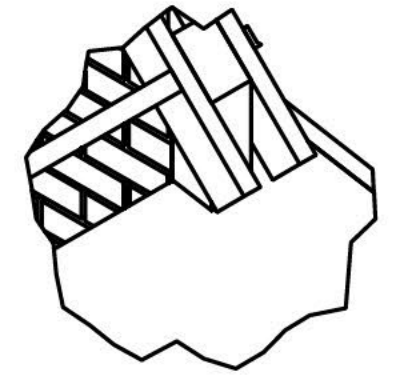
PRODUCED BY AN AUTODESK EDUCATIONAL PRODUCT

PRODUCED BY AN AUTODESK EDUCATIONAL PRODUCT

Lower Roof Sheets and Trim



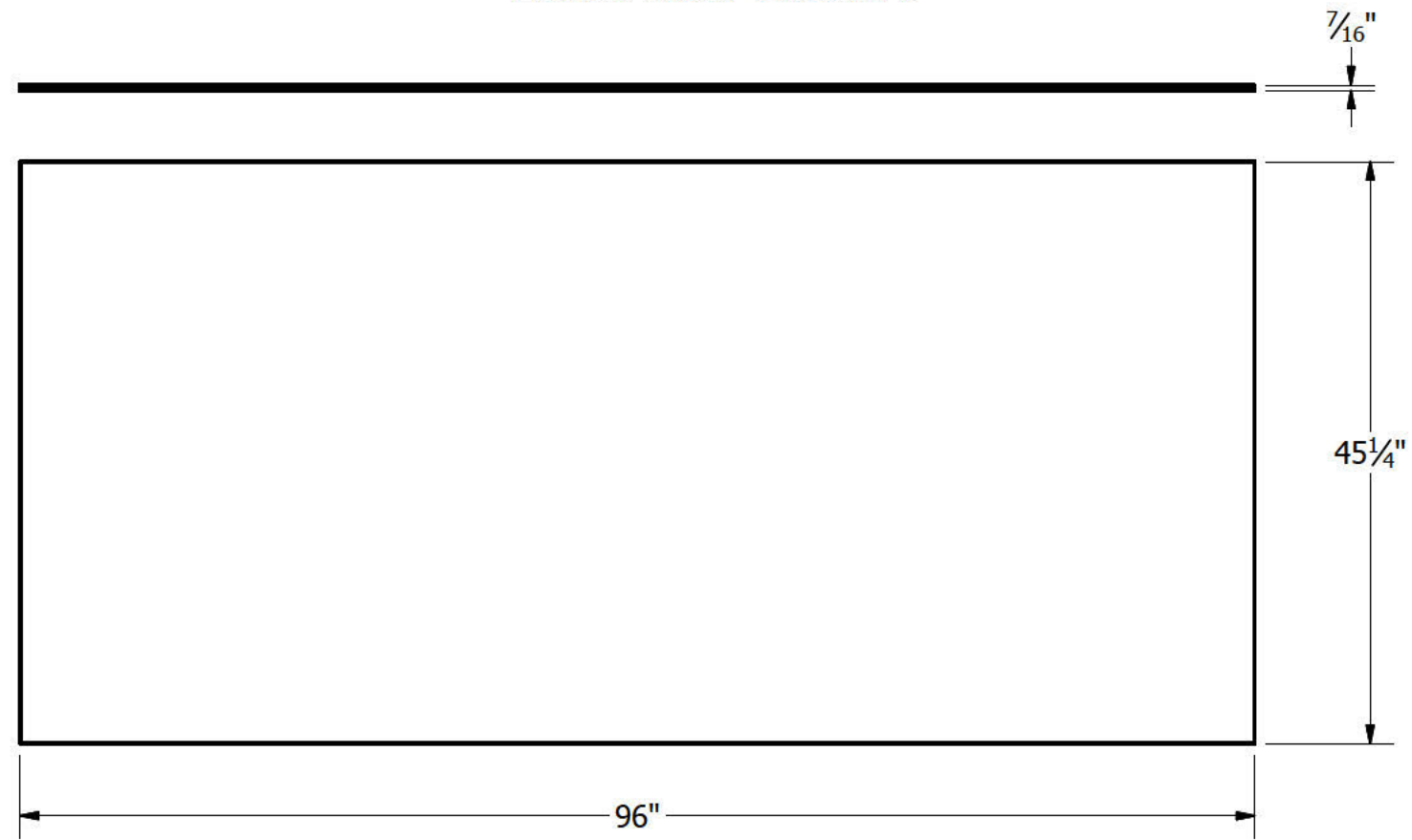
- Parts List:
 Lower Roof Sheet Board A X2
 Lower Roof Sheet Board B X1
 Lower Roof Sheet Board C X1
 Lower Roof Trim Board X4



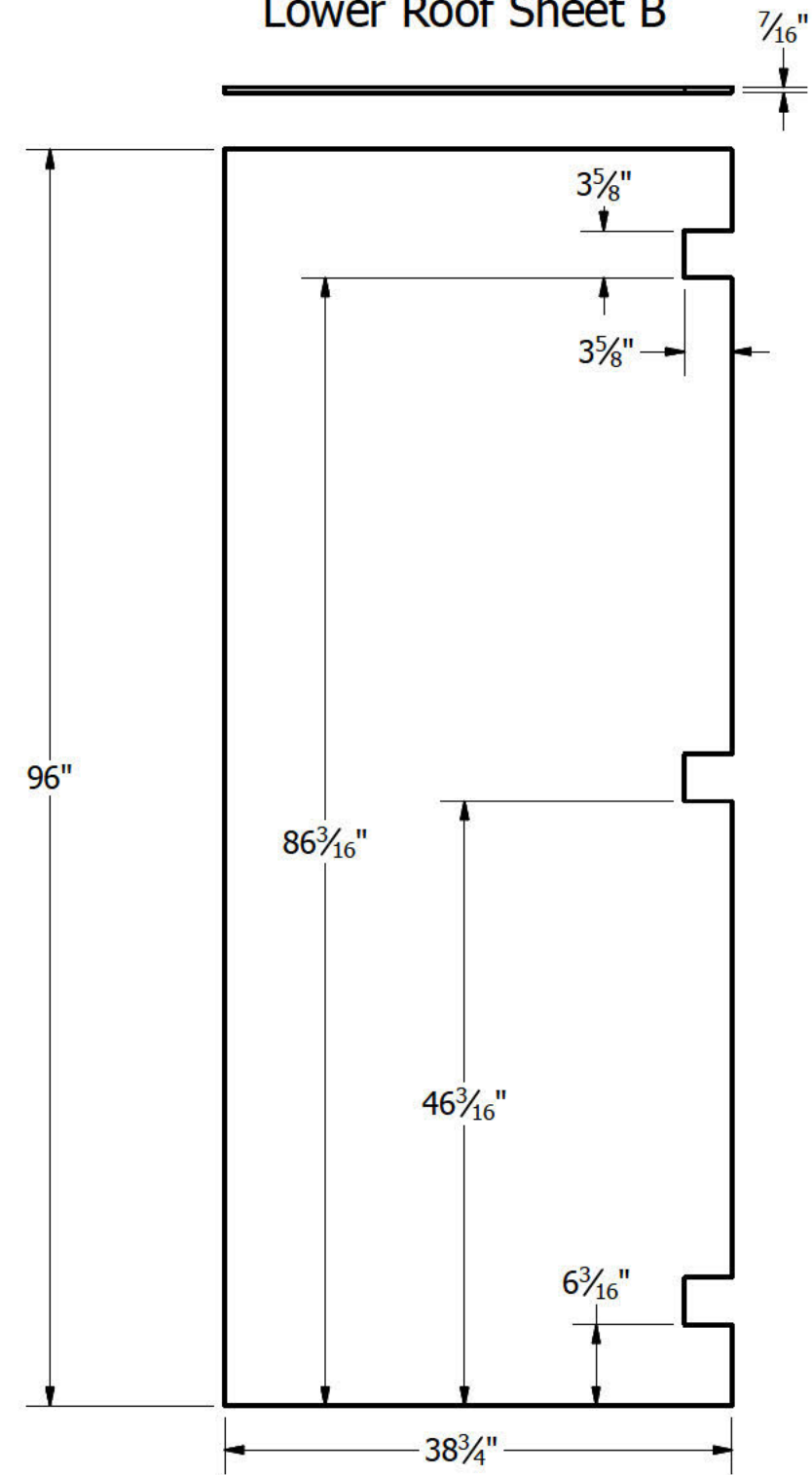
DRAWN Chris Logston	7/10/2011	TITLE		
CHECKED		Shed		
QA		SIZE	DWG NO	REV
MFG		C	Construction Plans	
APPROVED		SCALE	SHEET 31 OF 38	

Lower Roof Sheets

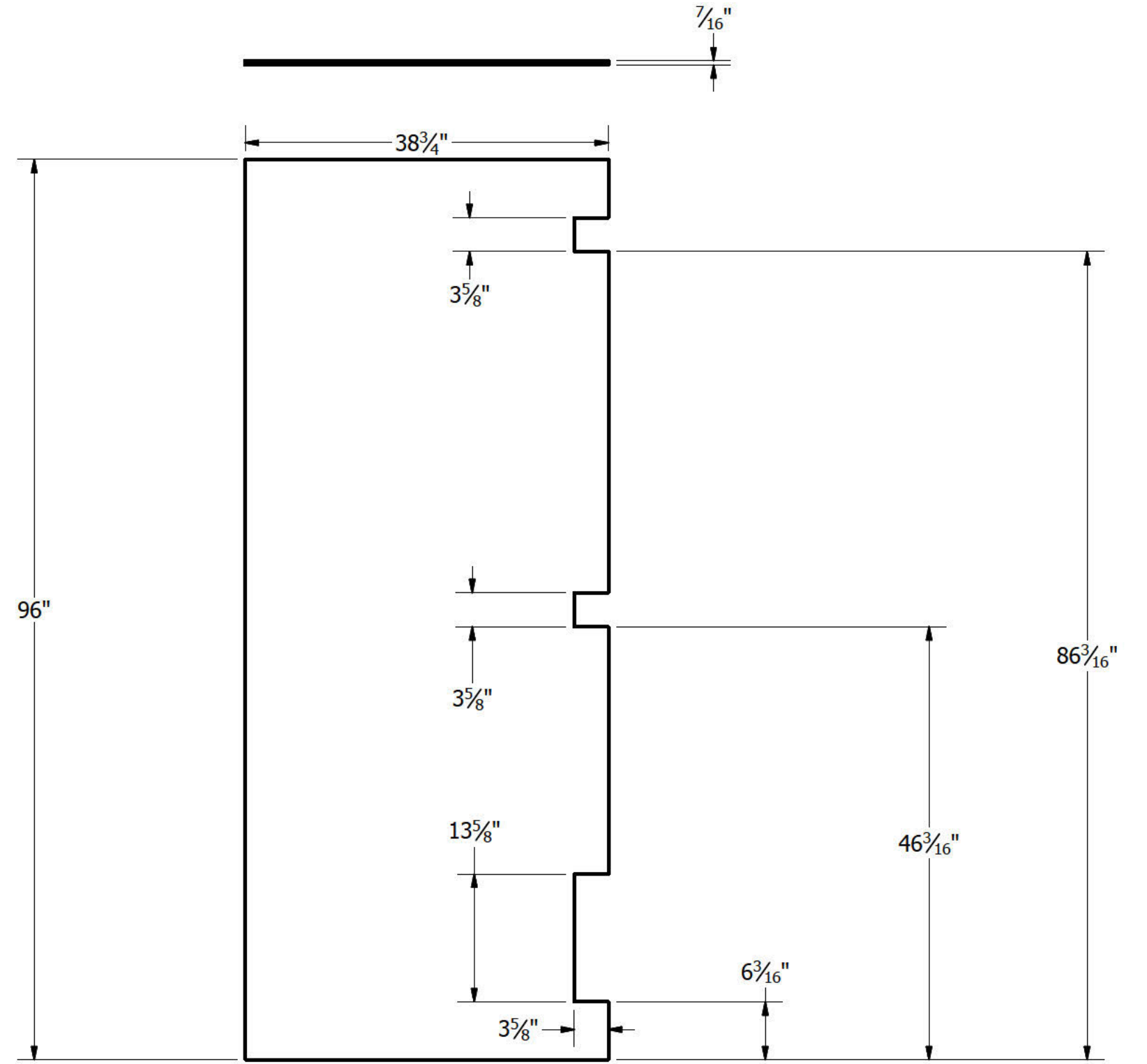
Lower Roof Sheet A



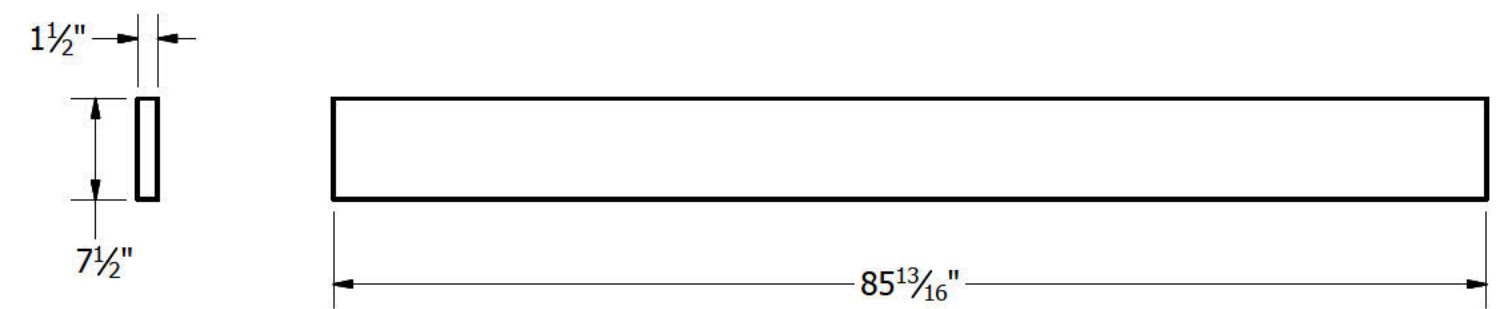
Lower Roof Sheet B



Lower Roof Sheet C

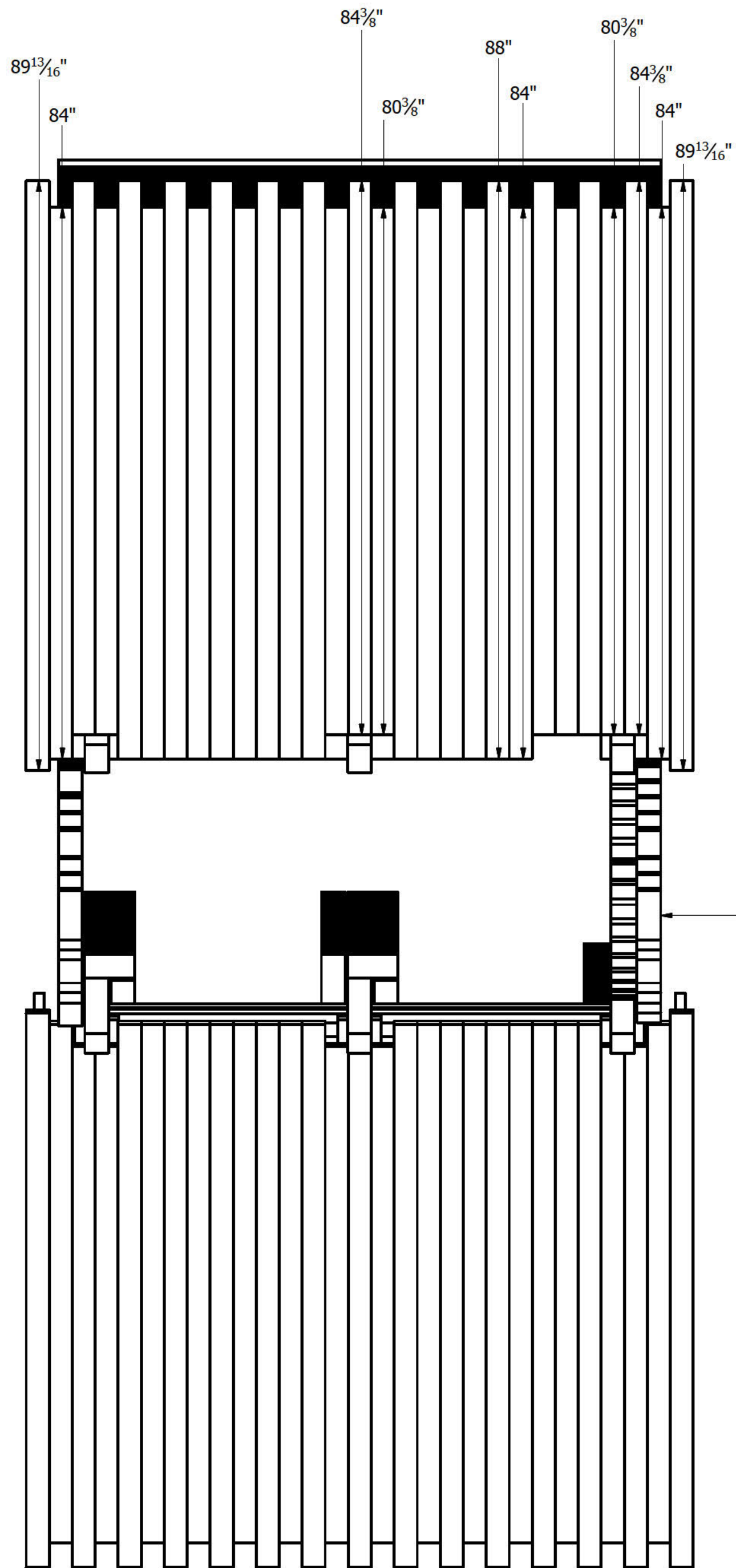


Lower Roof Trim Board

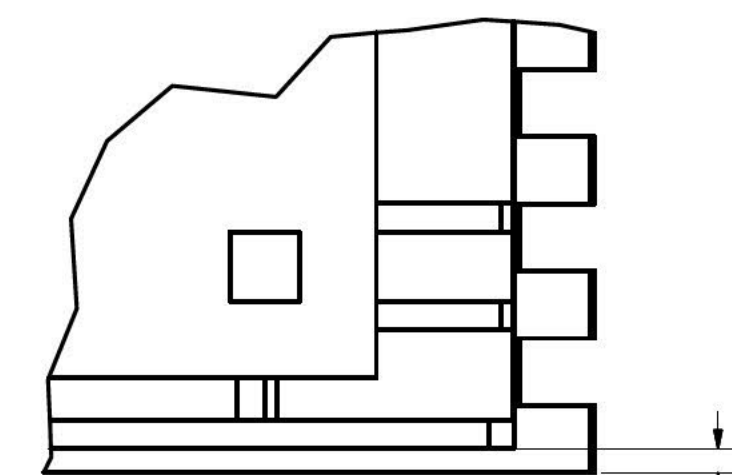
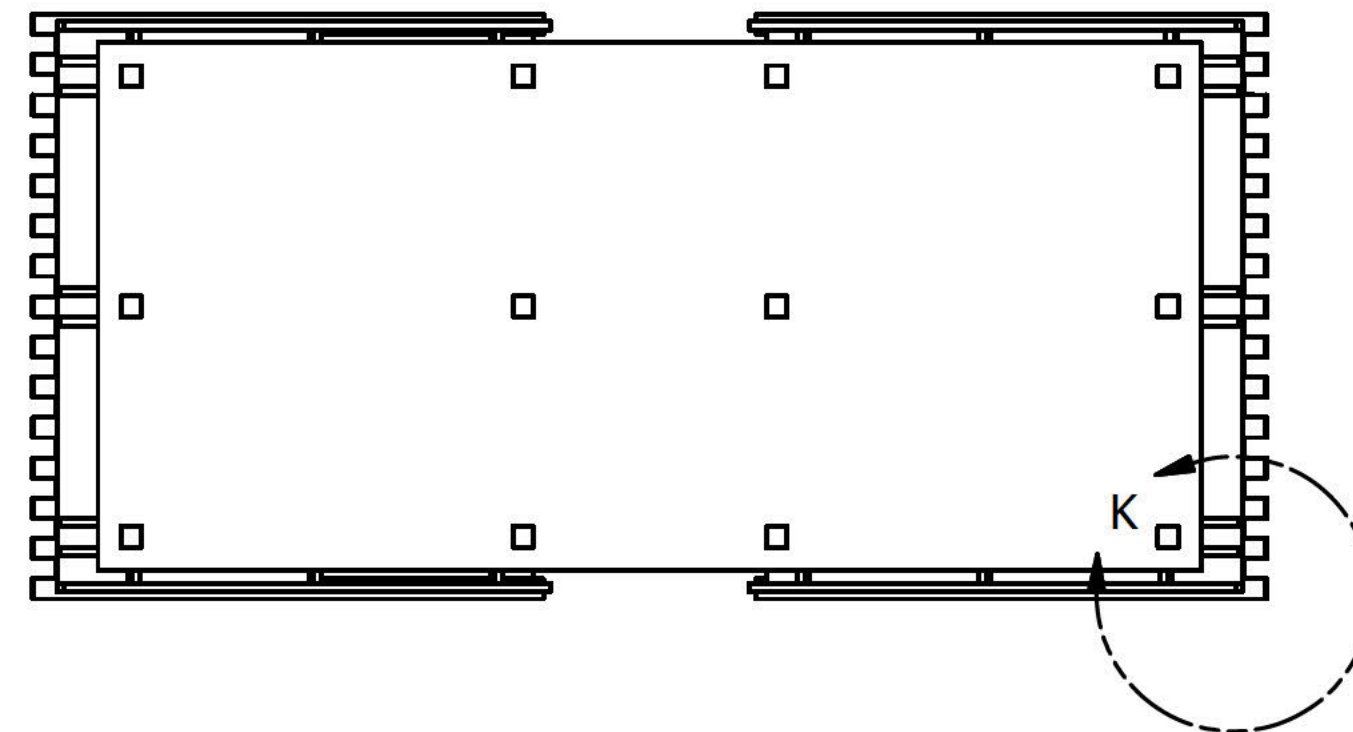


DRAWN Chris Logston	7/10/2011			
CHECKED		TITLE		
QA		Shed		
MFG				
APPROVED				
		SIZE C	DWG NO Construction Plans	REV
		SCALE	SHEET 32 OF 38	

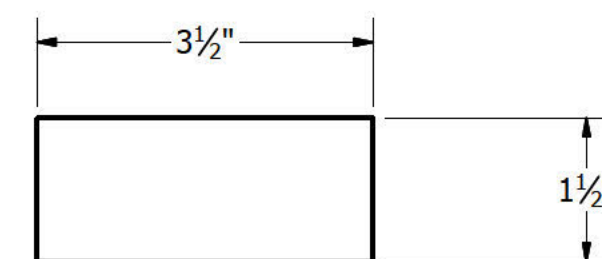
Lower Roof Studs



Bottom View



Detail K
(All Roof Studs Extend 1.25" past Trim)



Roof Stud Cross Section

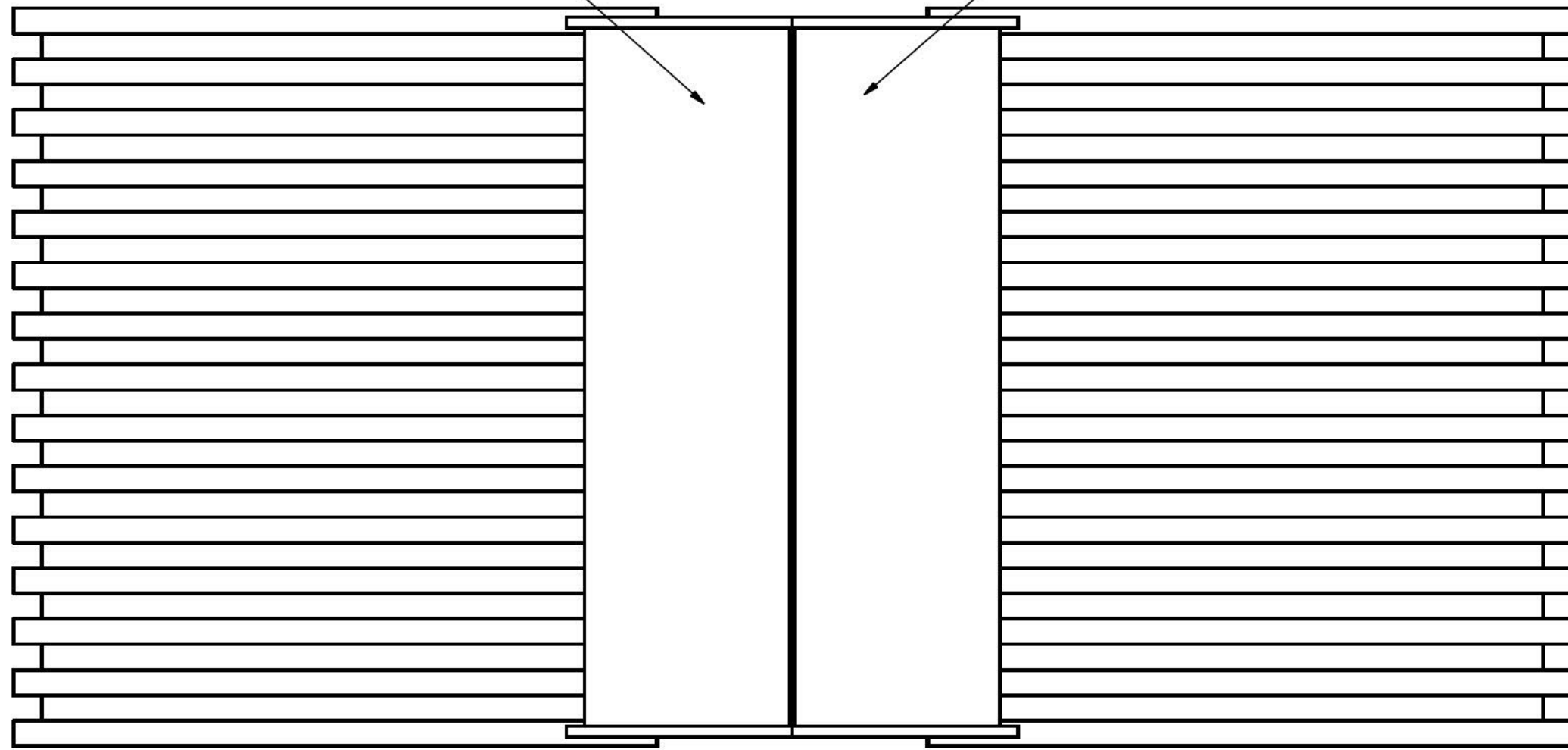
Front Entrance

- Parts List:
Roof Studs:
80 ³/₈" X9
84" X19
84 ³/₈" X8
88" X18
89 ¹³/₁₆" X4

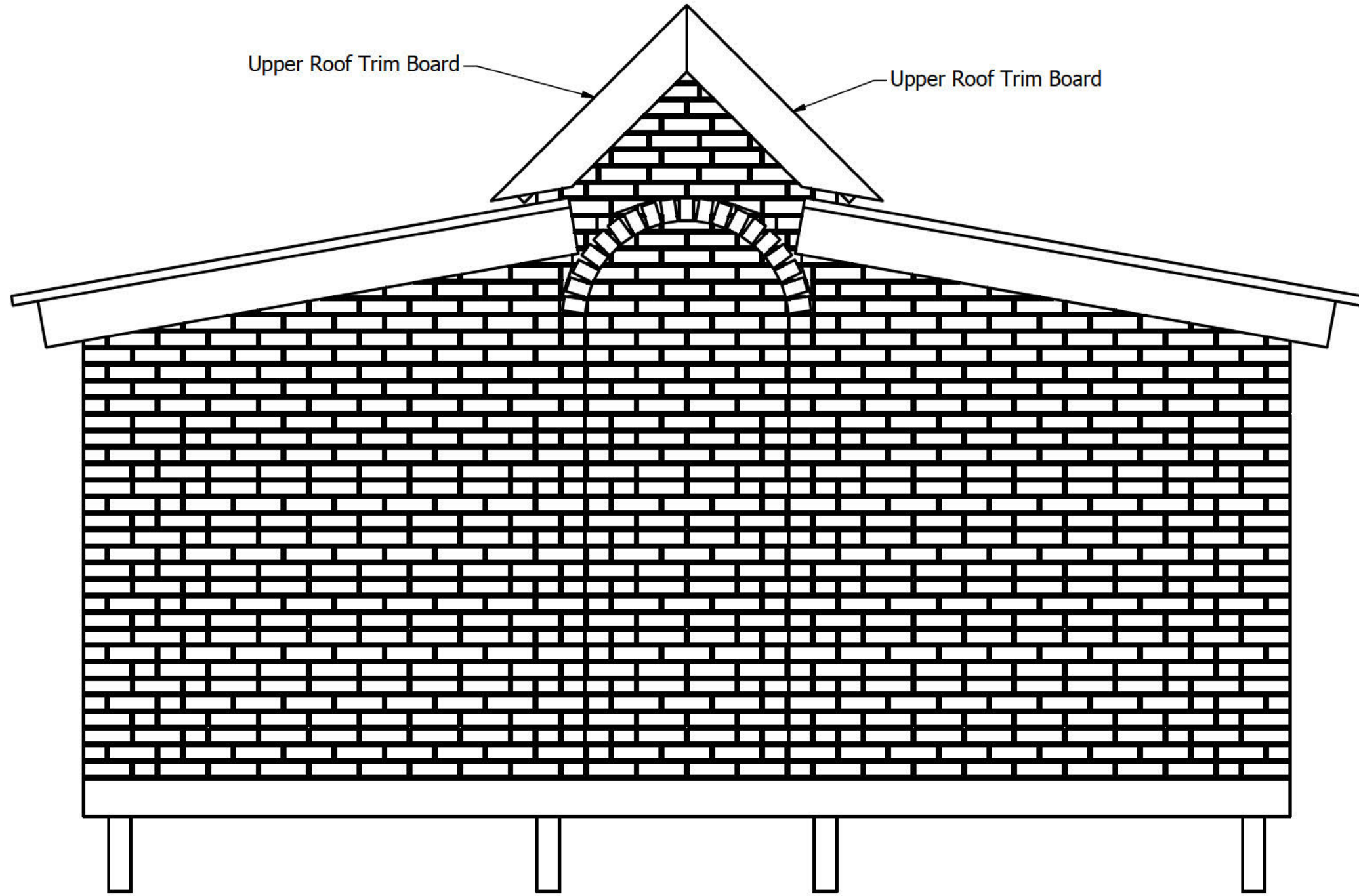
DRAWN Chris Logston	7/10/2011	TITLE		
CHECKED		[Redacted] Shed		
QA		SIZE C	DWG NO	REV
MFG		Construction Plans		
APPROVED		SCALE	SHEET 33 OF 38	

Upper Roof Sheets and Trim

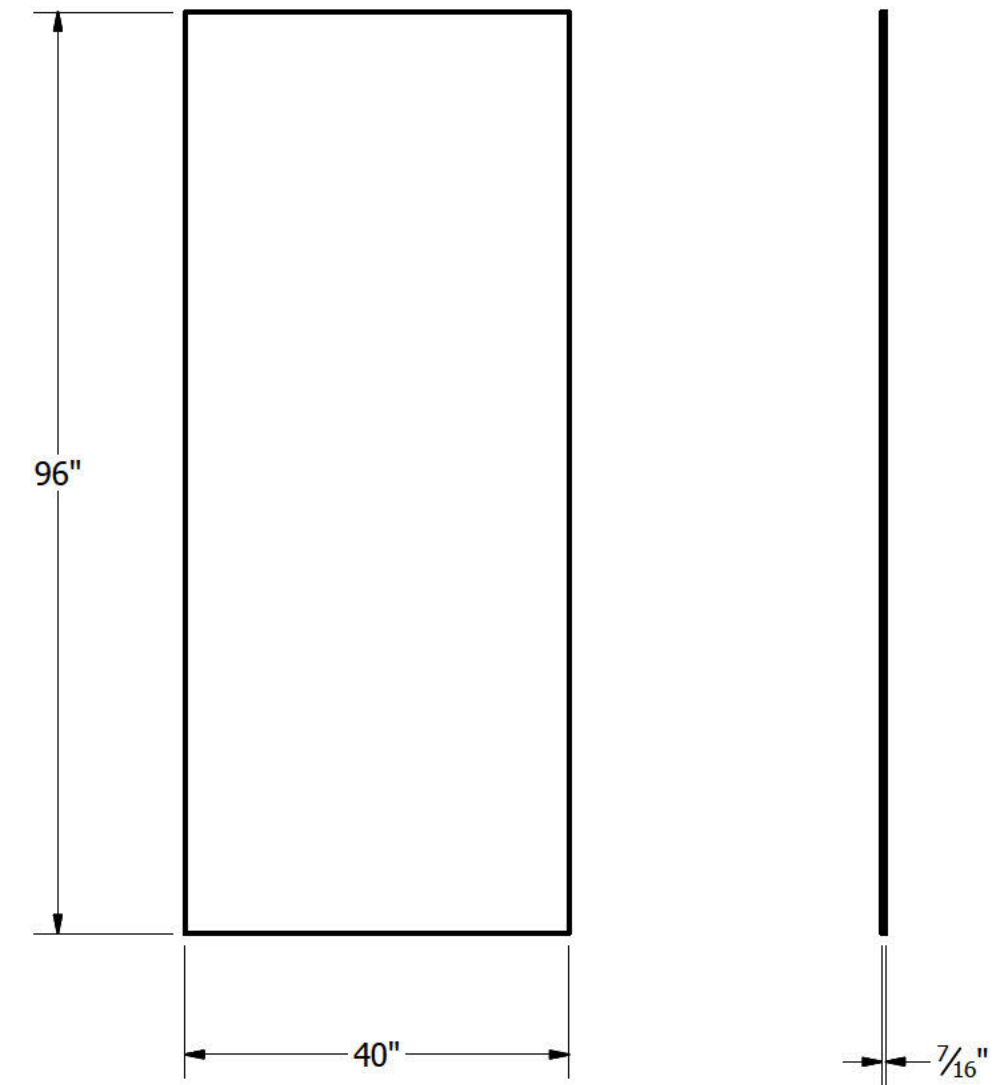
Upper Roof Sheet Board Upper Roof Sheet Board



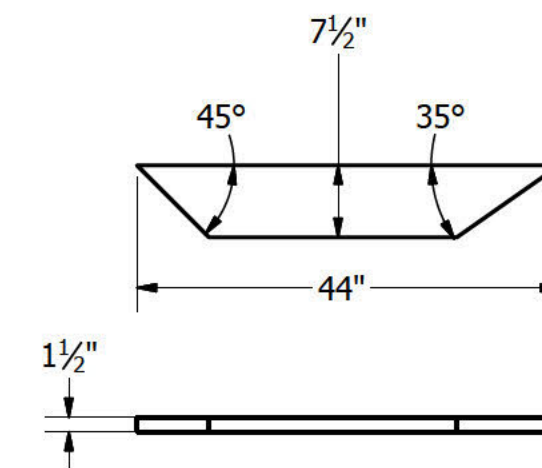
Upper Roof Trim Board Upper Roof Trim Board



Upper Roof Sheet Board



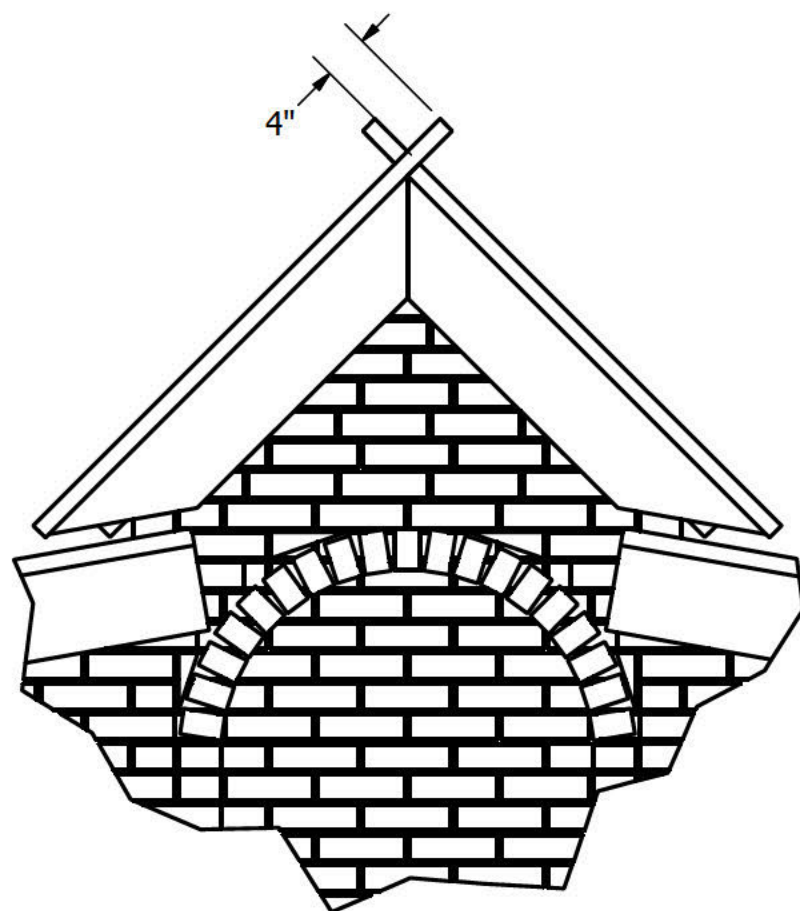
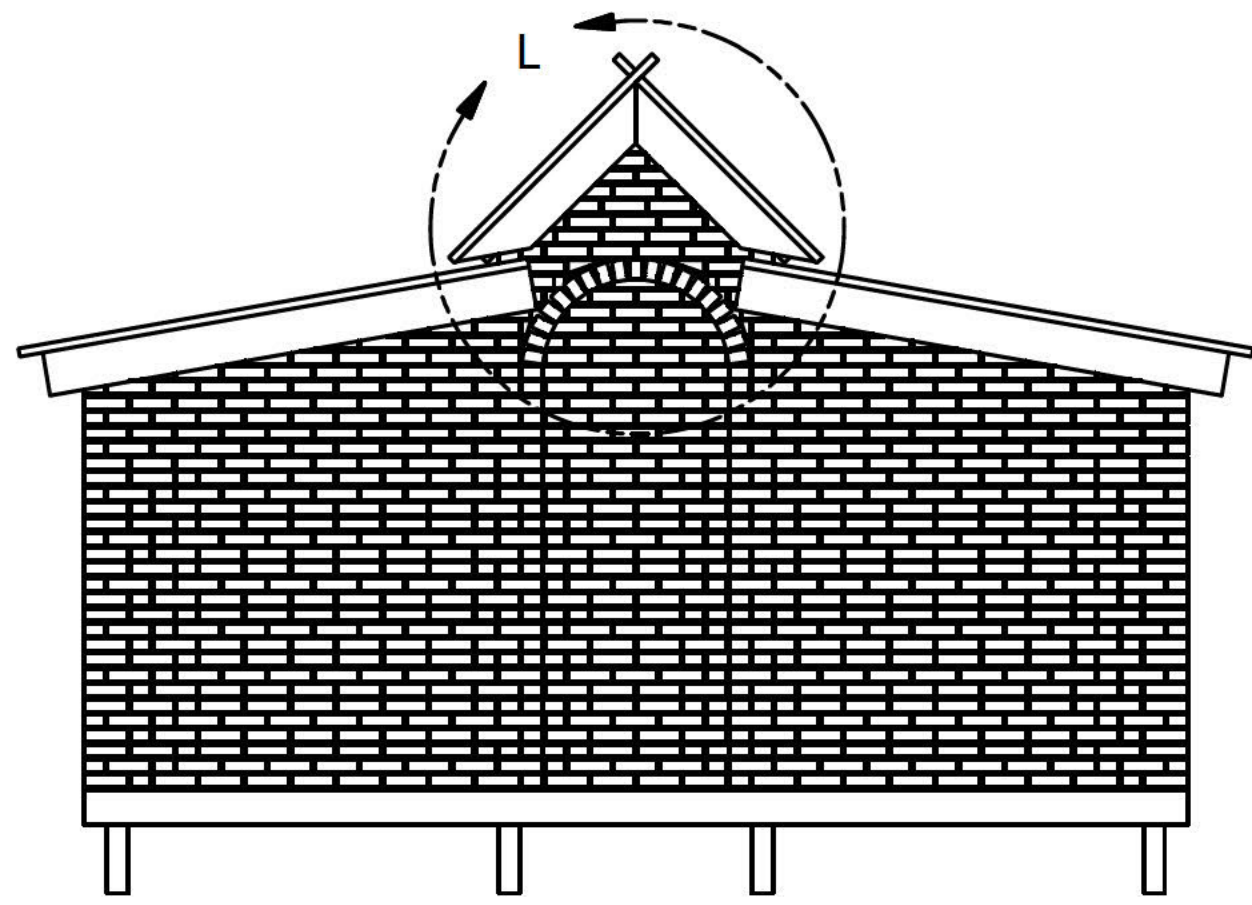
Upper Roof Trim Board



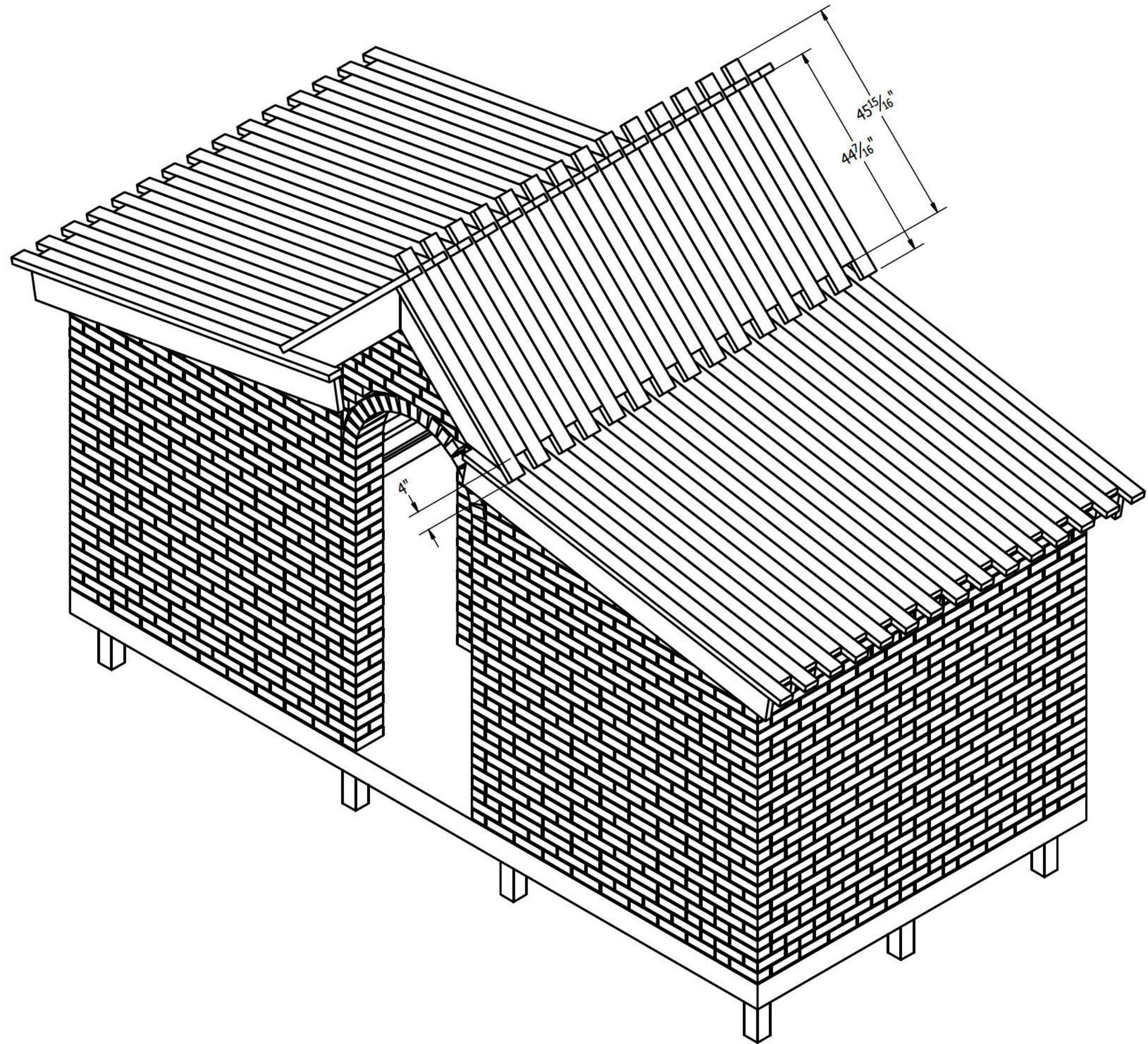
DRAWN Chris Logston	7/10/2011	TITLE		
CHECKED		Shed		
QA		SIZE C	DWG NO	REV
MFG		Construction Plans		
APPROVED		SCALE	SHEET 34 OF 38	

- Parts List:
 Upper Roof Sheet Board X2
 Upper Roof Trim Board X4

Upper Roof Studs



DETAIL L
 (High Face of Short Stud lies flush with Surface of Sheet on Opposing Side)



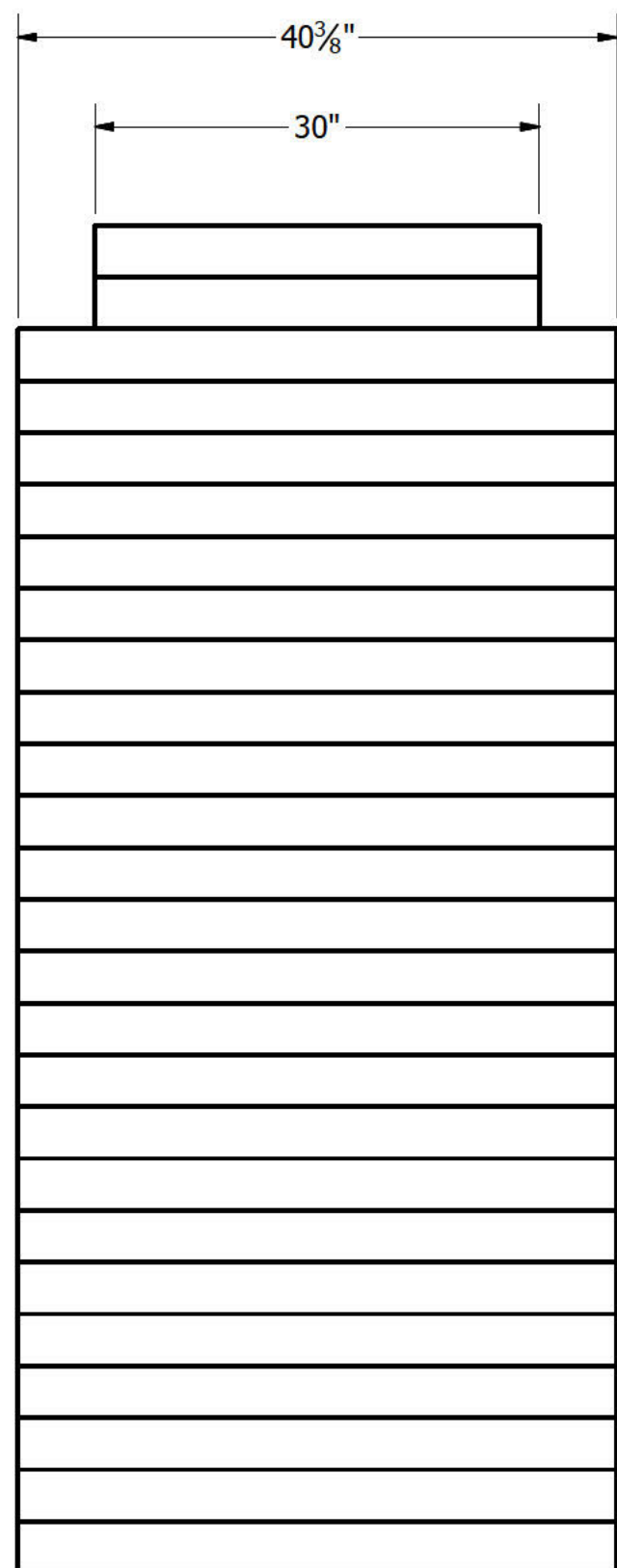
- Parts List:
 44 ⁷/₁₆" Stud X29
 45 ¹⁵/₁₆" Stud X29

DRAWN Chris Logston	7/10/2011	TITLE		
CHECKED		[Redacted] Shed		
QA		SIZE	DWG NO	REV
MFG		C	Construction Plans	
APPROVED		SCALE	SHEET 35 OF 38	

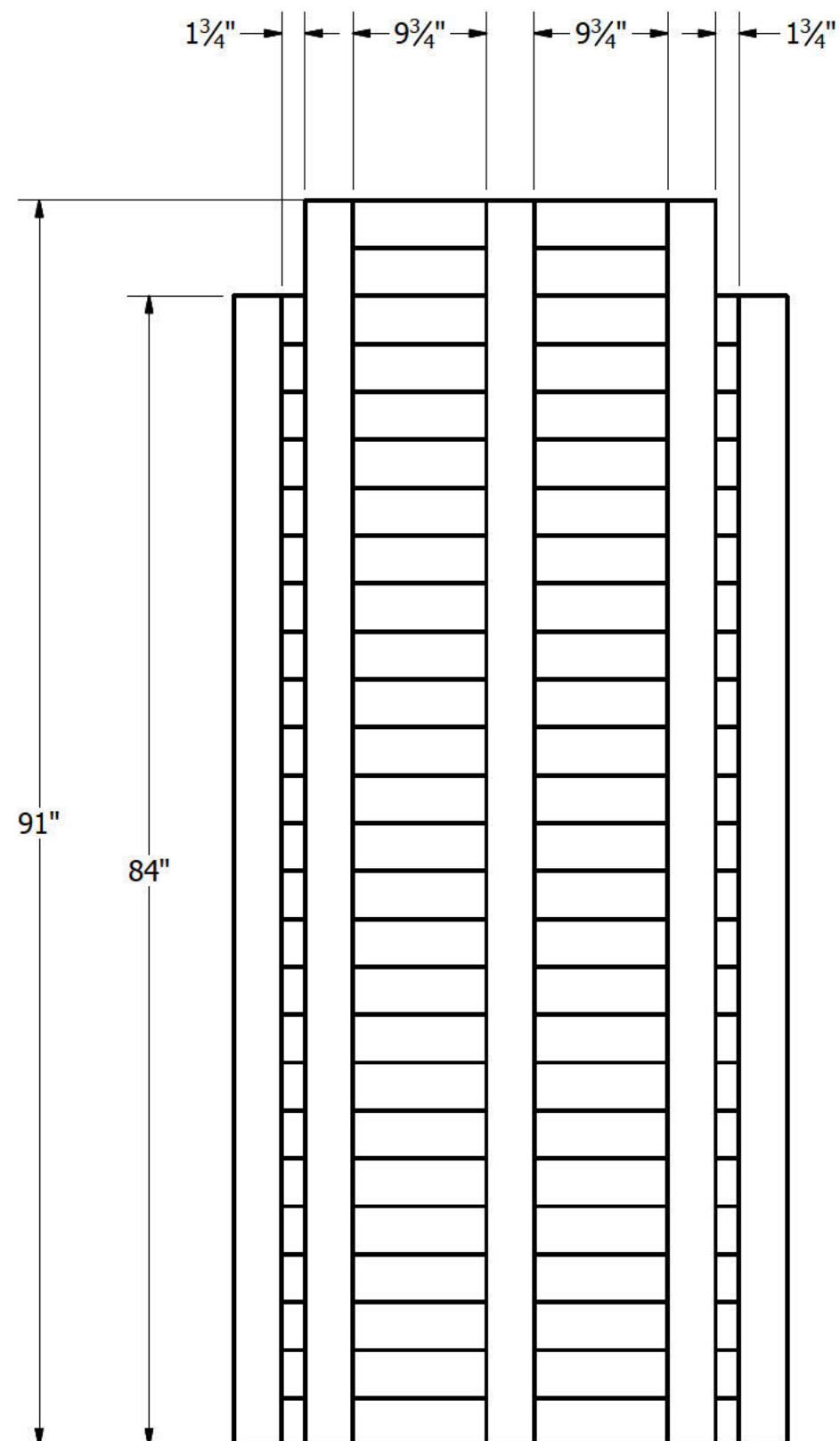
PRODUCED BY AN AUTODESK EDUCATIONAL PRODUCT

PRODUCED BY AN AUTODESK EDUCATIONAL PRODUCT

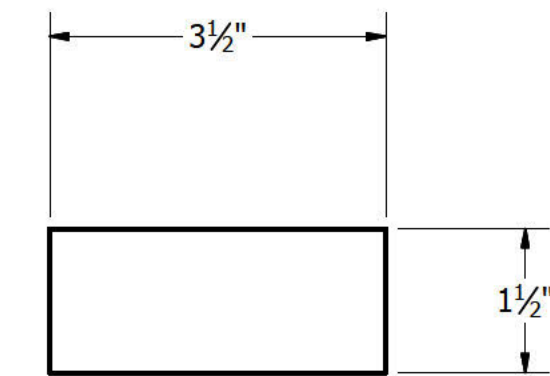
Door



Front



Back



Stud Cross Section

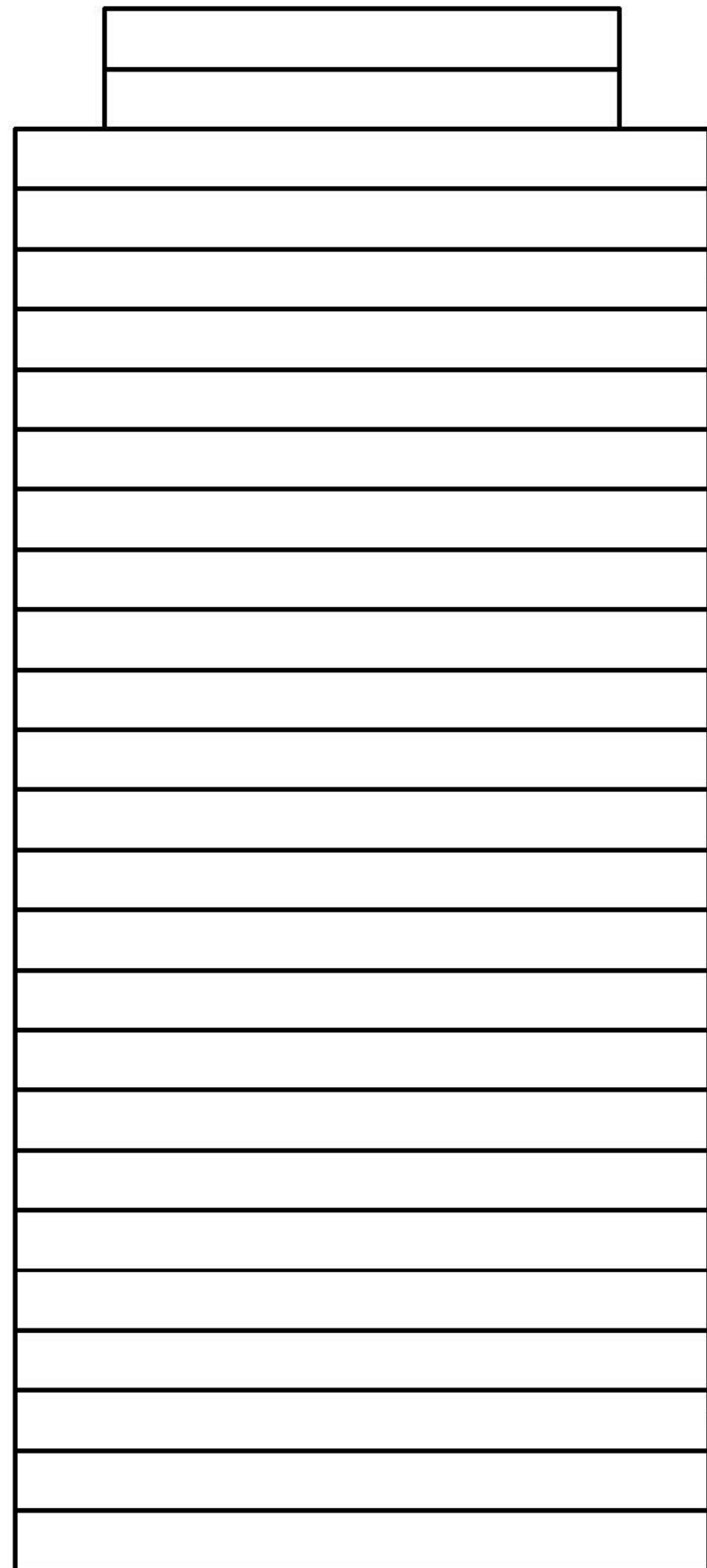
- Parts List:
 Studs:
 91" X3
 84" X2
 40 3/8" X24
 30" X2

DRAWN Chris Logston	7/10/2011			
CHECKED		TITLE		
QA		Shed		
MFG				
APPROVED		SIZE C	DWG NO Construction Plans	REV
		SCALE	SHEET 36 OF 38	

PRODUCED BY AN AUTODESK EDUCATIONAL PRODUCT

PRODUCED BY AN AUTODESK EDUCATIONAL PRODUCT

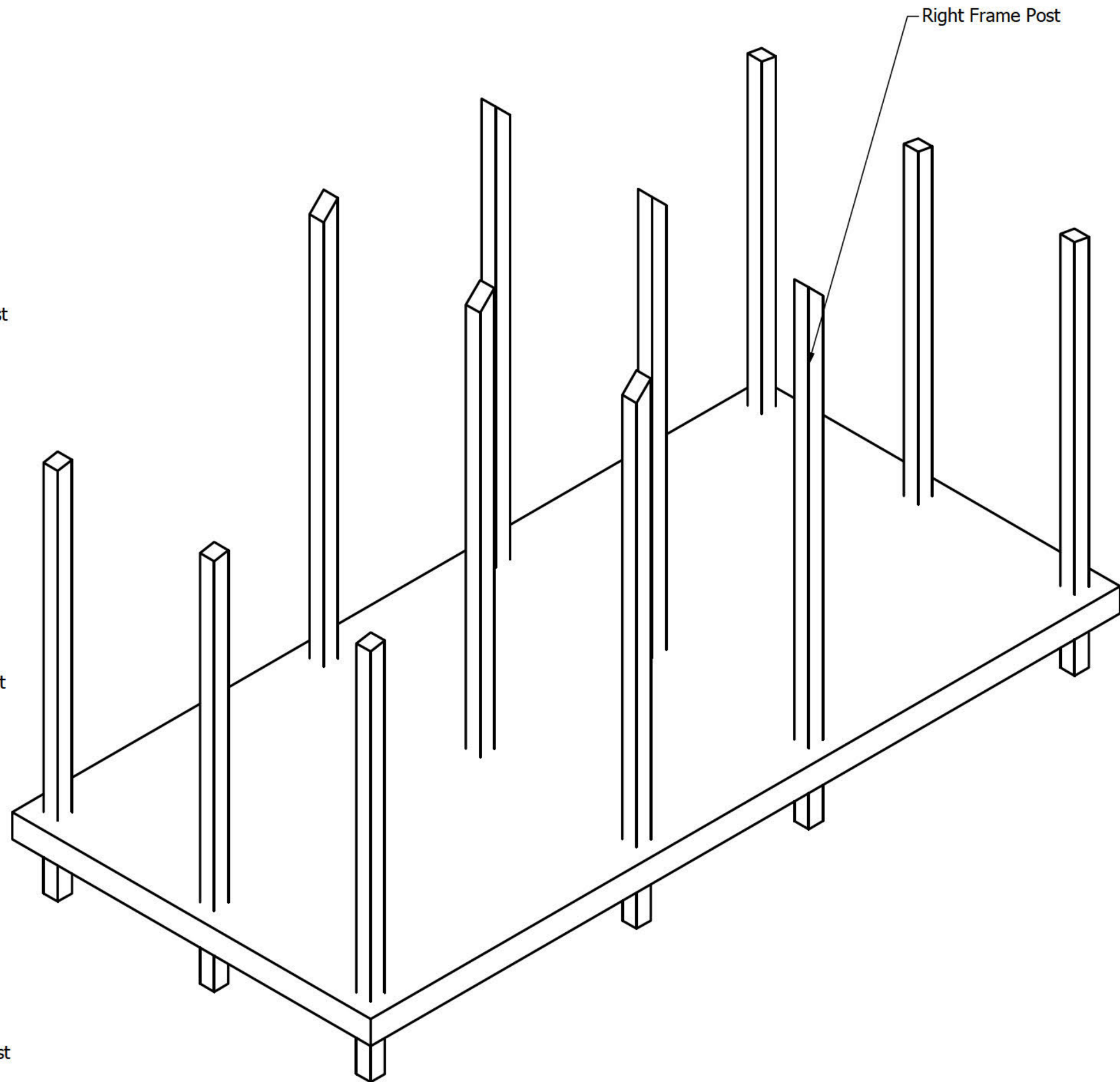
Door Assembly



Hinge Edge to Front Right Frame Post

Hinge Edge to Front Right Frame Post

Hinge Edge to Front Right Frame Post



Right Frame Post

DRAWN Chris Logston	7/10/2011			
CHECKED		TITLE		
QA		Shed		
MFG				
APPROVED		SIZE C	DWG NO	REV
		SCALE	Construction Plans	
			SHEET 37 OF 38	

PRODUCED BY AN AUTODESK EDUCATIONAL PRODUCT

PRODUCED BY AN AUTODESK EDUCATIONAL PRODUCT

4

3

2

1

Parts List			
Item Name	Amount	Sheet #	Section
Foundation	1	1	Foundation
Tall Frame Post	6	3	Frame
Short Frame Post	6	3	Frame
Horizontal Platform Base Post	6	5	Platform
Vertical Platform Base Post	8	5	Platform
Diagonal Platform Base Post	4	5	Platform
Vertical Platform Plank	40	7	Platform
Horizontal Platform Plank	4	7	Platform
Lower Roof Truss	12	8	Frame
Roof Cross Beam	20	8	Frame
Roof Spacer Peg	12	8	Frame
Roof Extension Peg	16	8	Frame
Upper Roof Truss	12	10	Frame
Full Brick	2348	12	Wall
Half Brick	381	12	Wall
Arch Trim Brick Type A	2	26	Arch
Arch Trim Brick Type B	2	26	Arch
Arch Trim Brick Type C	2	26	Arch
Lower Roof Sheet Board A	2	30	Roof
Lower Roof Sheet Board B	1	30	Roof
Lower Roof Sheet Board C	1	30	Roof
Lower Roof Trim Board	4	30	Roof
Lower Roof Stud 80.375"	9	32	Roof
Lower Roof Stud 84.0000"	19	32	Roof
Lower Roof Stud 84.3750"	8	32	Roof
Lower Roof Stud 88.0000"	18	32	Roof
Lower Roof Stud 89.8125"	4	32	Roof
Upper Roof Sheet Board	2	33	Roof
Upper Roof Trim Board	2	33	Roof
Upper Roof Stud 44.4375"	29	34	Roof
Upper Roof Stud 45.9375"	29	34	Roof
Door Stud 91"	3	36	Door
Door Stud 84"	2	36	Door
Door Stud 40.375"	24	36	Door

D

D

C

C

B

B

A

A

DRAWN Chris Logston	7/10/2011	TITLE		
CHECKED				
QA		Shed		
MFG				
APPROVED		SIZE C	DWG NO	REV
		Construction Plans		
		SCALE	SHEET 38 OF 38	