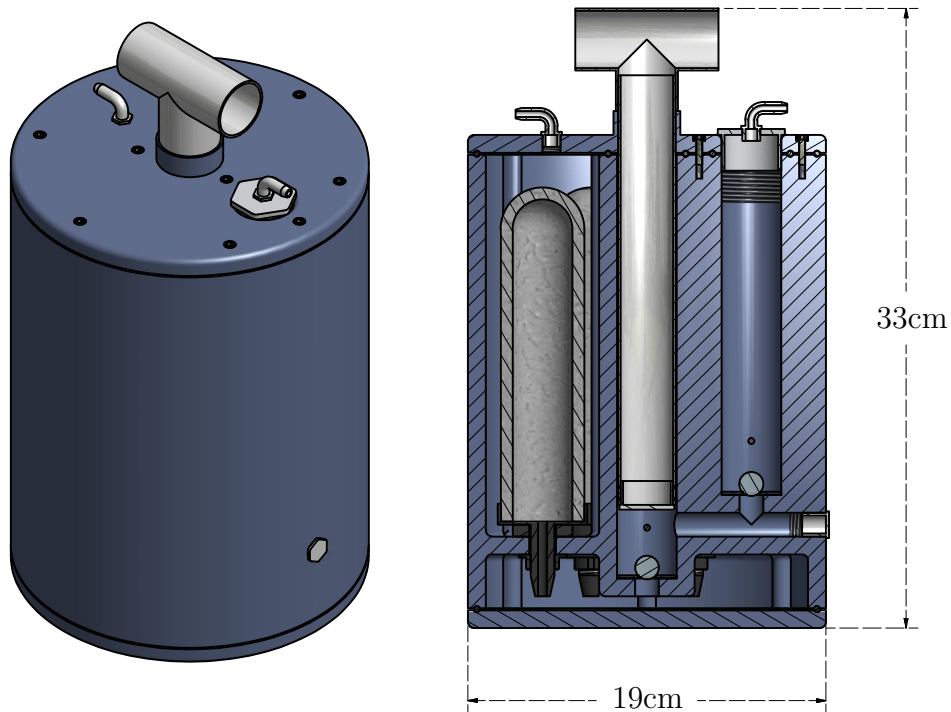


Hand-Powered Water Filter

Detail and Assembly



Version 4.00

Patent Pending

Last Updated October 12, 2017

Chris [REDACTED] Logston

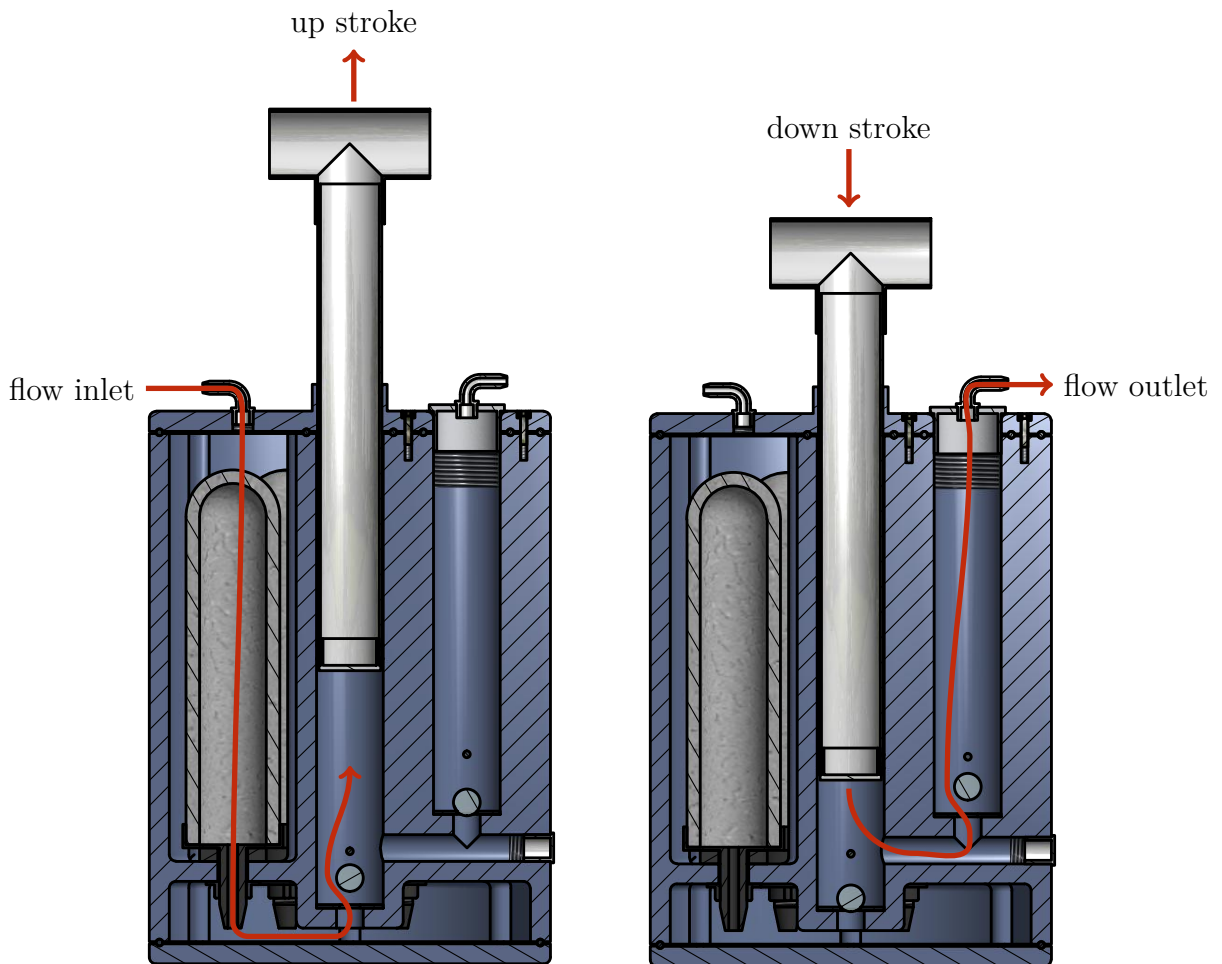
[REDACTED]

[REDACTED]

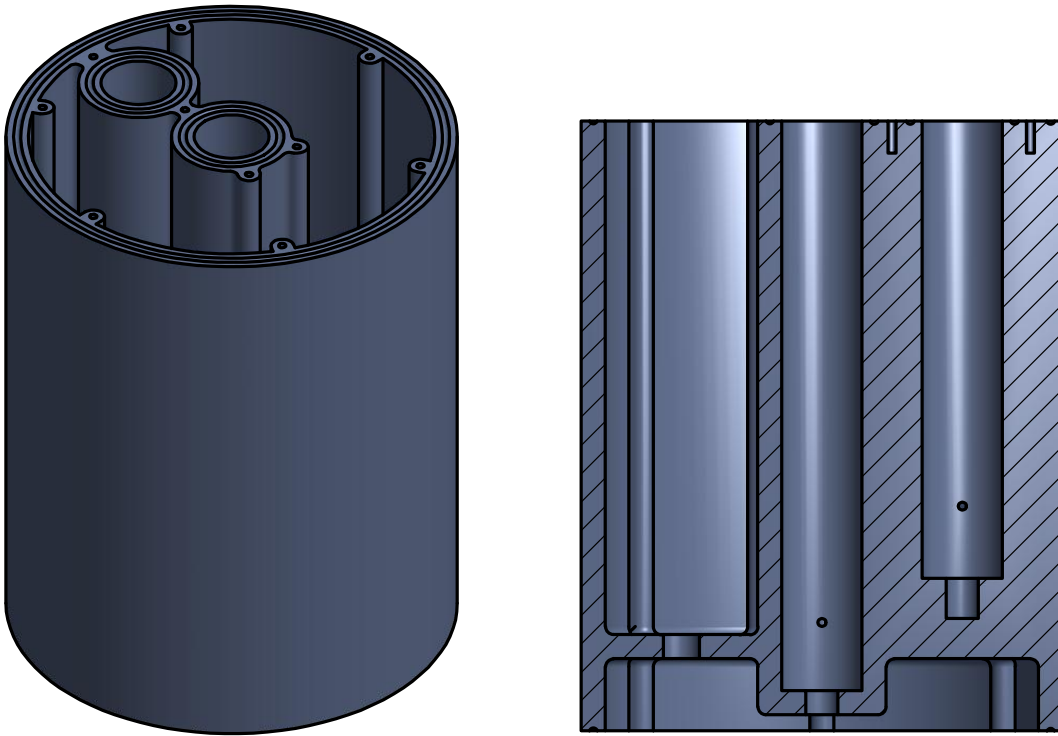
Media Specifications (in order of flow)

media	specification	removes
ceramic filter candle	0.01 – 0.1 μm nominal pore size	sediment, microbes

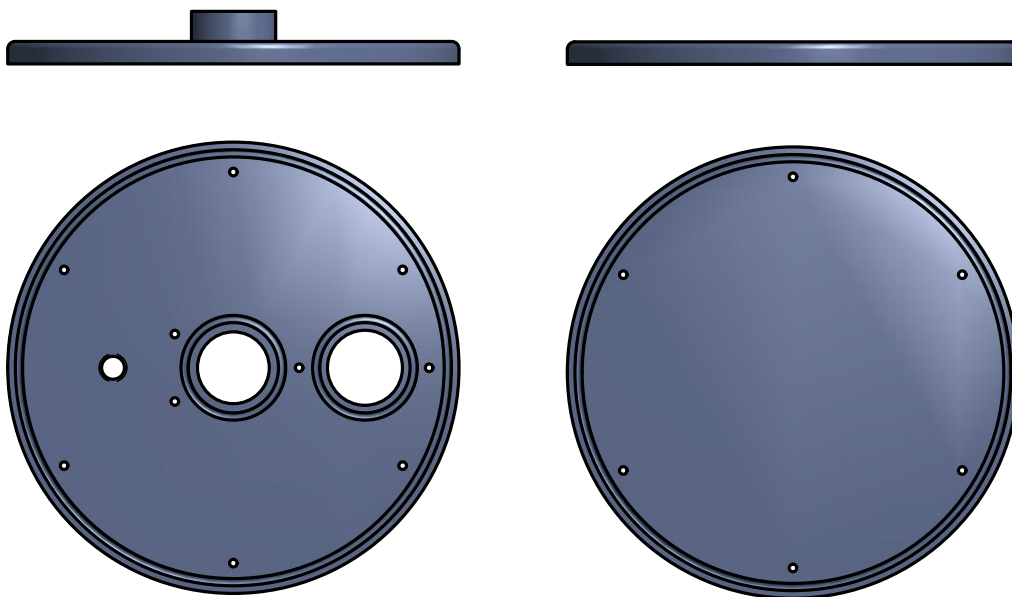
Flow Detail



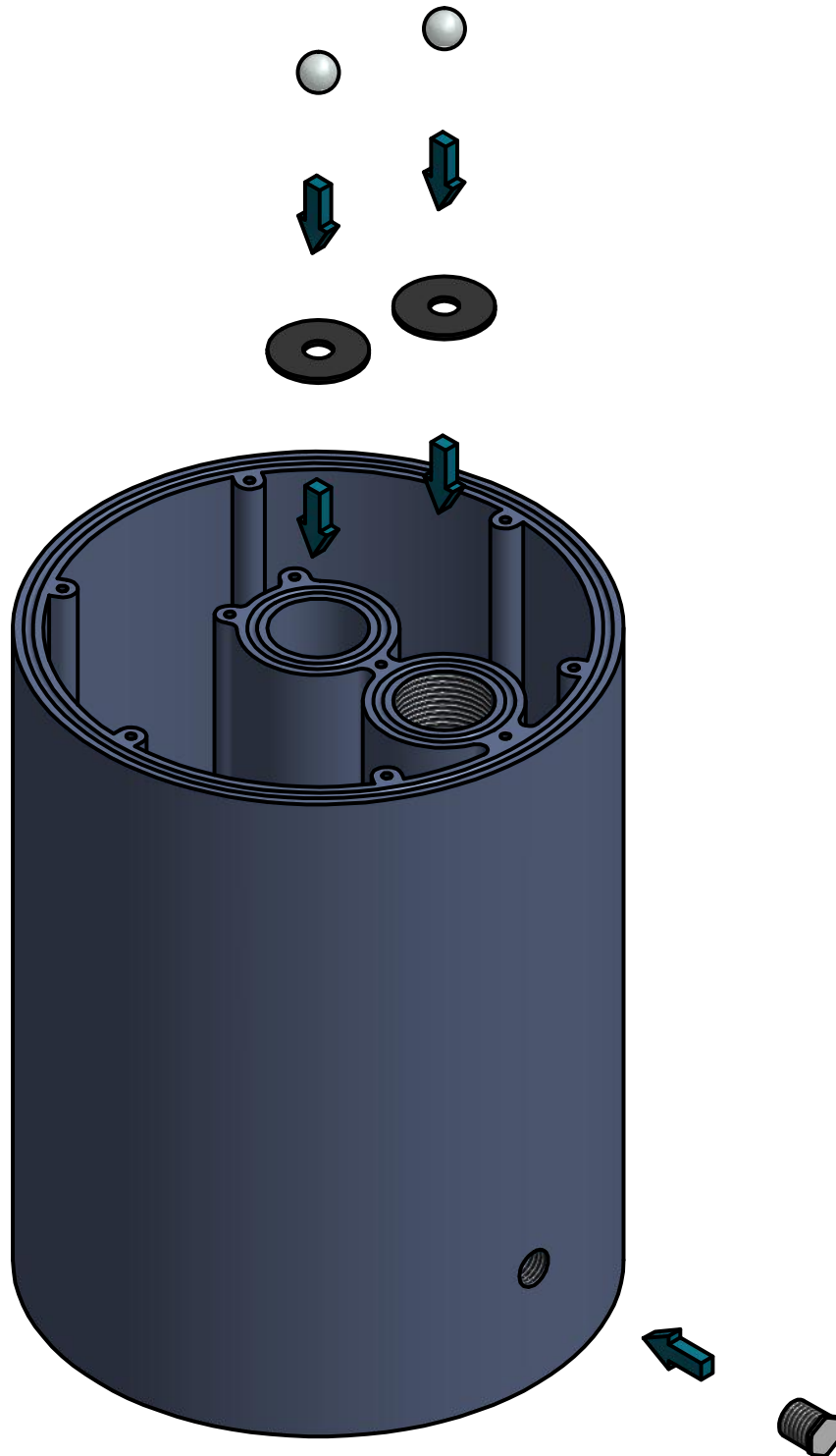
Custom made part A - main enclosure



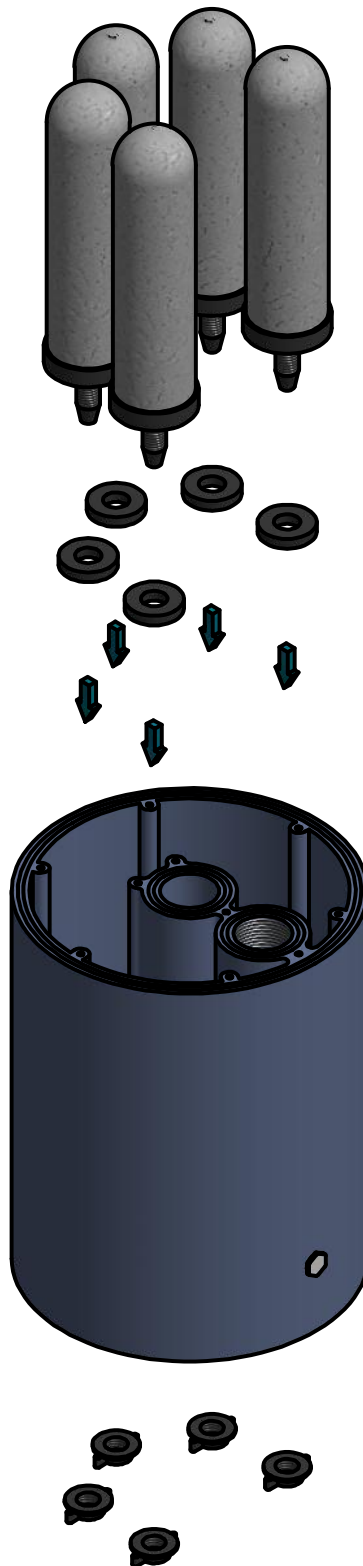
Custom made parts B and C - enclosure top and bottom



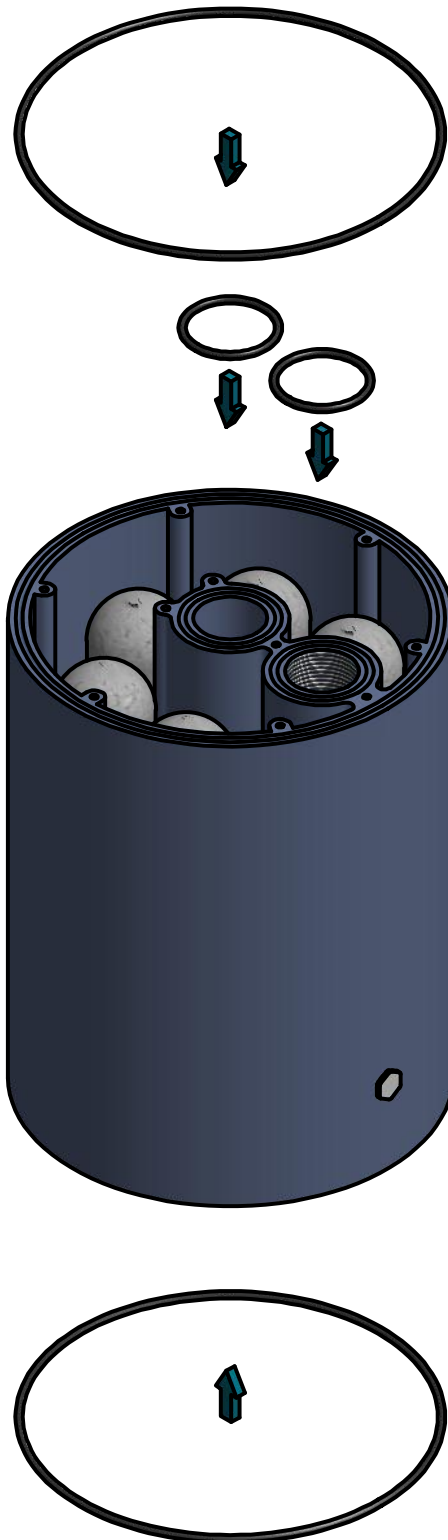
Step 01: Insert 2 marbles, 2 gaskets and a 1/4" threaded plug into enclosure.



Step 02: Insert up to 5 ceramic gravity filter candles.



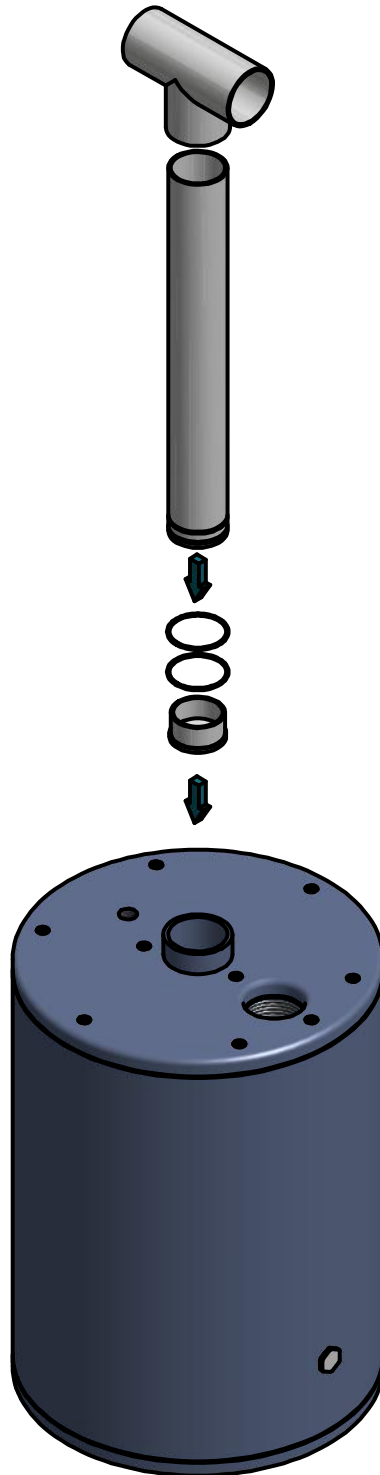
Step 03: Seat o-rings.



Step 04: Fasten top and bottom.



Step 05: Attach o-rings to piston plunger assembly and insert.



Step 06: Insert fittings for inlet and outlet.

